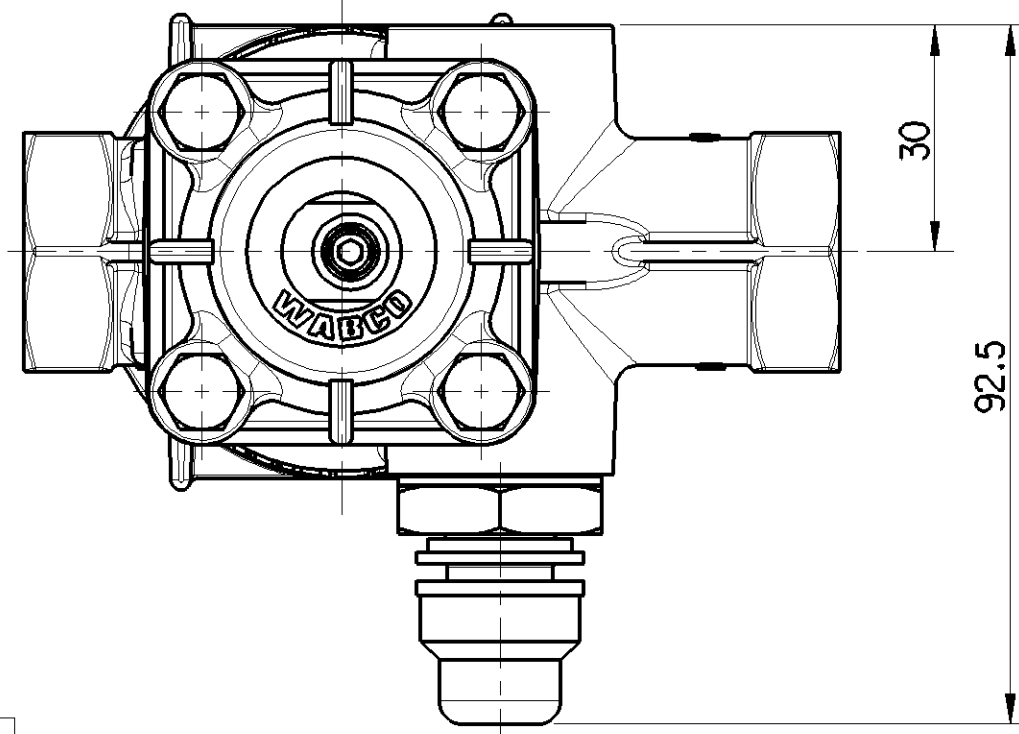
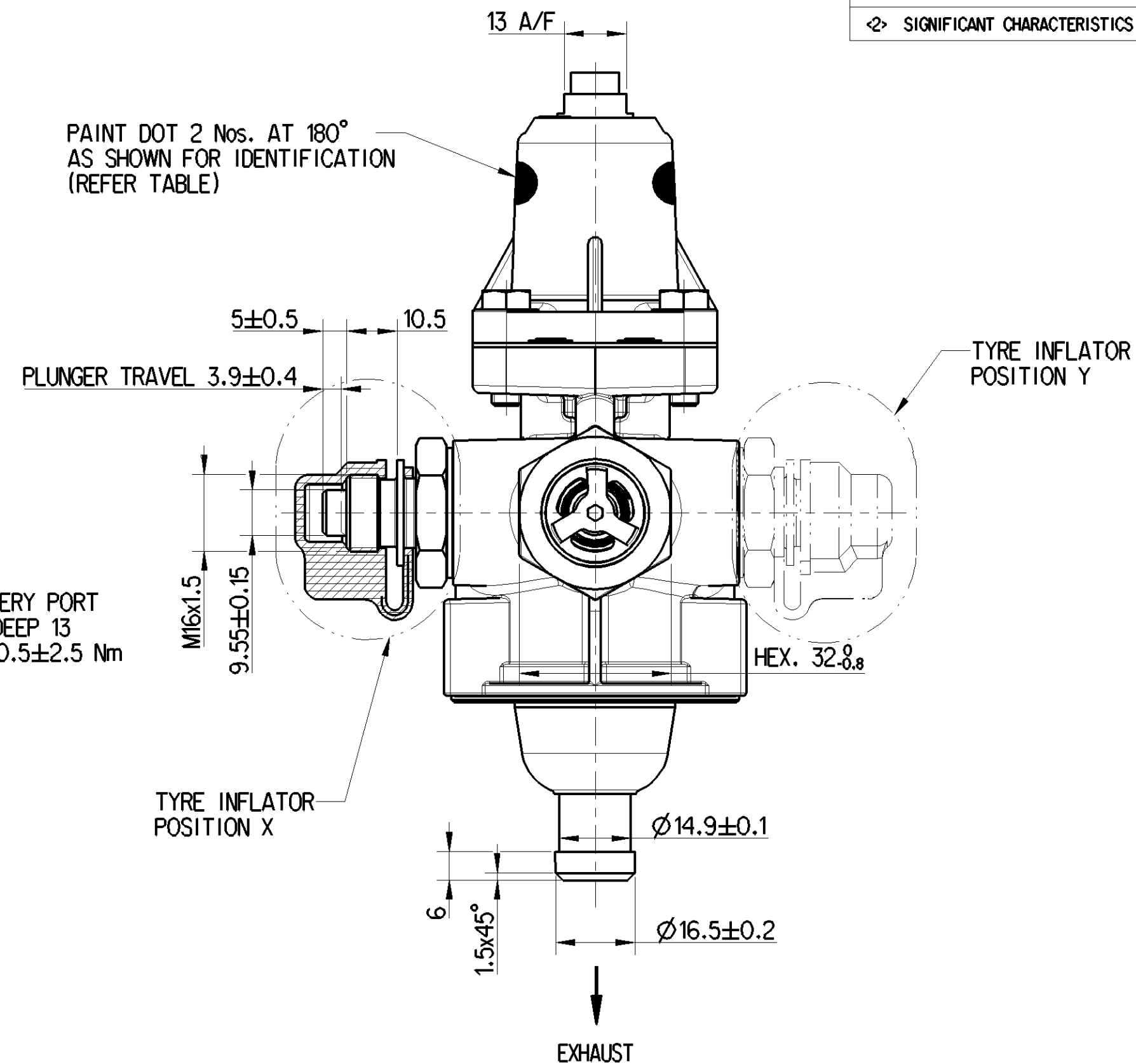
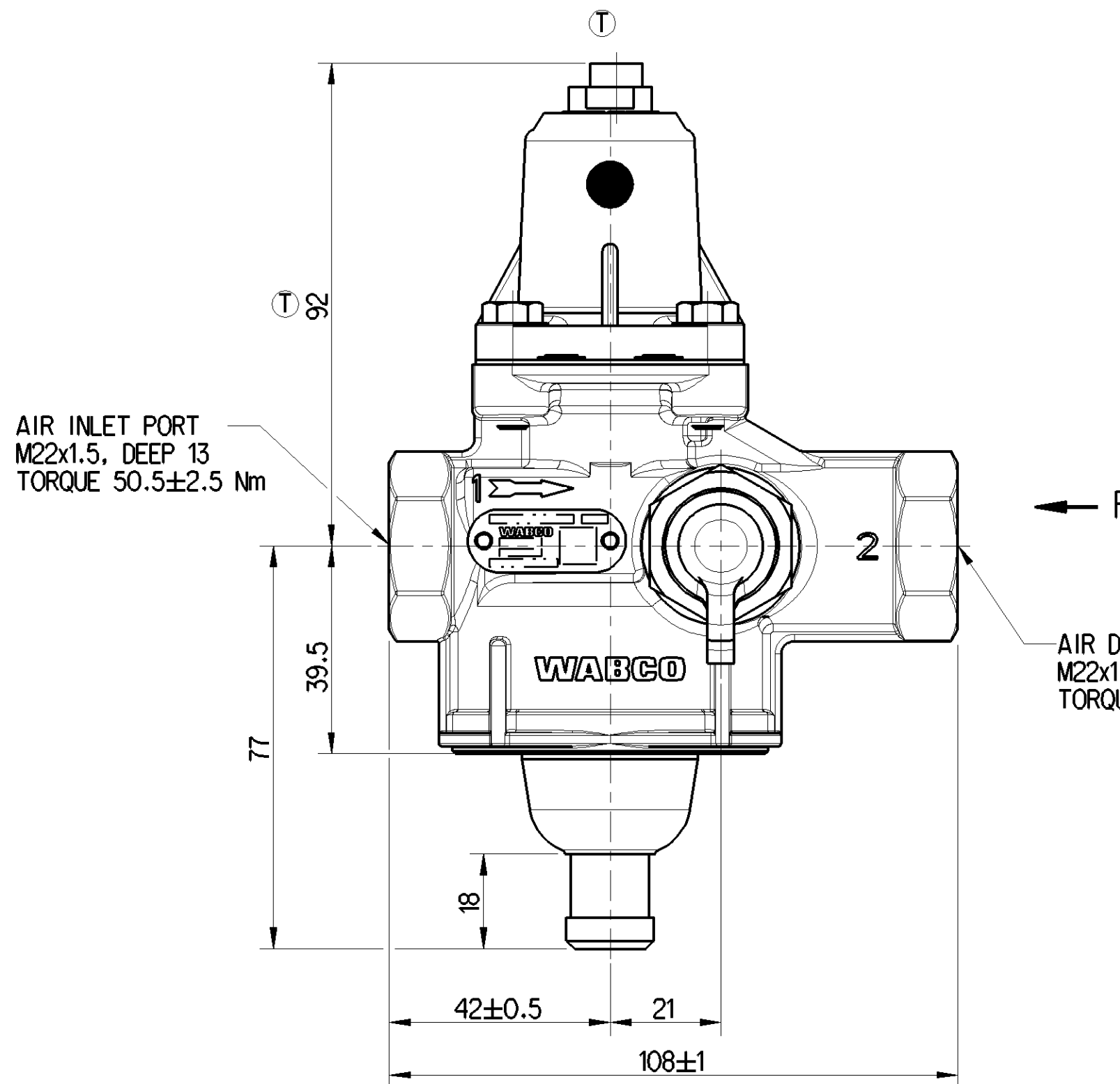


<1> SAFETY CHARACTERISTICS	0
<2> SIGNIFICANT CHARACTERISTICS	0



MINIMUM PRESSURE DIFFERENCE BETWEEN CUT-OUT AND CUT-IN PRESSURES:
 0.5 bar WITH CUT-OUT PRESSURE ≤ 7 bar
 0.6 bar WITH CUT-OUT PRESSURE > 7 bar

BLOW OFF PRESSURES: 11±2 bar WITH CUT-OUT PRESSURE ≤ 6 bar
 12±2 bar WITH CUT-OUT PRESSURE ≥ 6 bar

OPEN PORTS ARE FITTED WITH CLOSURE PLUGS FOR STORAGE AND TRANSIT PURPOSES.

ASSEMBLY PART No.	CUT-OUT PRESSURE ±0.2 bar	CUT-IN PRESSURE bar (min.)	TYRE INFLATOR POSITION	IDENTIFICATION
M301910	7.4	6.2	X	GREEN
M301920	7.0	5.8	X	-
M301930	6.1	5.0	X	BLUE
M301940	7.4	6.2	Y	-
M301950	7.0	5.8	Y	-
M303410	5.5	4.4	X	YELLOW

General Specification: JED-334-1, Size ISO 14405 LP		Copyright WABCO®		WABCO	
Further Technical Data: PSSC 7C		Date _____ Signature _____		UNLOADER VALVE WITH TYRE INFLATOR	
Doc. Code: 035 Sheet: 1 To 3		2020-07-22 Drawn: Christosolomon D		Checked: _____	
General Tolerances JED-261		2020-07-25 Expert: Schul Homeed		Material No. M301910	
Range of Nominal Dimensions (± mm)		Mass 0.66 kg		Date of first issue: 2020-07-25	
Class 1) ≤ 50 > 50 ≤ 180 > 180 ≤ 400 > 400		Scale 1:1		Doc. Code 053	
Fine X 0.5 1.0 1.5 2.0 ±3°		Size A 2		Language EN	
Medium 1.0 2.0 3.0 4.0		CAD System CREO		Sheet 1/2	
Coarse 2.0 3.5 5.0 6.5		ECN-No. 504035		Revision 3x	
Tapped Holes acc. JED-152		Techn. Resp. T		5560	
1) Tolerance Class Applied Crossmarked		Replacement for -			

Non e permesso copiare, o terzi o riprodurre questo documento, ne utilizzare il contenuto o renderlo comunque noto o terzi senza autorizzazione esplicita. Ogni infrazione costituisce un evidente abuso e comporterà il risarcimento dei danni subiti. E' fatta riserva di tutti i diritti derivanti da brevetti o modelli.
 Copying of this document and giving it to others and the use or communication of the contents thereof, are forbidden without express authority. Contravention of this restriction will constitute an evident abuse and result in a liability to the payment of damages. All rights are reserved in the event of the grant of patent or registration of a utility model or design. This document is the subject of copyright.
 Toute communication ou reproduction de ce document, toute exploitation ou communication de son contenu sont interdites, sauf autorisation expresse. Tout manquement a cette regle constitue un abus evident et expose son auteur au versement de dommages et interets. Tous droits de propriete industrielle reserves, notamment en matiere de brevets et de modesles.
 Weitergabe sowie Vervielfaltigung dieser Unterlagen, Vervielfaltigen und Mitteilen ihres Inhalts nicht gestattet, soweit nicht ausdrucklich ansonsten, zuwiderlegenden, stehen einm. offeneschlichen. Missbrauch dar und verpflichtet zu Schadensersatz. Alle Rechte hier den Fall der Patenterteilung oder Gebrauchsmuster-Eintragung vorbehalten.

Configuration Control Table

S.No.	ECN No.	Date	Description of the change / reason	Effective date (week/year) /Serial No.	Customer change data
1	504035	2020-07-22	Screw holder replaced. Hexagonal head type adjustment screw replaced by grub screw.	30/20	053

NON E' PERMESSO CONSEGNARE, A TERZI O RIPRODURRE QUESTO DOCUMENTO, NE UTILIZZARNE IL CONTENUTO O RENDERSILO COMMUNE NOTO A TERZI, SENZA AUTORIZZAZIONE ESPLICITA. OGNI INFRAZIONE COSTITUIRA UN EVIDENTE DANNO ALL'INTERESSE DELLA SOCIETA' E' FATTA RISERVA DI TUTTI I DIRITTI DERIVANTI DA BREVETTI O MODELLI.
 COPIING OF THIS DOCUMENT AND GIVING IT TO OTHERS AND THE USE OR COMMUNICATION OF THE CONTENTS THEREOF, WITHOUT THE WRITTEN PERMISSION OF THE COMPANY, IS STRICTLY PROHIBITED. ALL RIGHTS ARE RESERVED IN THE EVENT OF THE GRANT OF PATENT OR REGISTRATION OF A UTILITY MODEL OR DESIGN. THIS DOCUMENT IS THE SUBJECT OF COPYRIGHT.

TOUTE COMMUNICATION OU REPRODUCTION DE CE DOCUMENT, TOUTE EXPLOITATION OU COMMUNICATION DE SON CONTENU SONT INTERDITES, SAUF AUTORISATION EXPRESSE. TOUT MANQUEMENT A CETTE REGLE CONSTITUE UN ABUS INDUSTRIEL. RESERVES, NOTAMMENT EN MATIERE DE BREVETS ET DE MODELES.
 WEITERGABE SOWIE Vervielfaeltigung dieses Unterlage, Vermertung und stellen ihres inhalts nicht zulässig. Alle rechte fuer den fall der patenterteilung oder gebrauchsmuster-ertragung vorbehalten.

			COPYRIGHT			<h2 style="margin: 0;">WABCO</h2> <h3 style="margin: 0;">UNLOADER VALVE WITH TYRE INFLATOR</h3>
			Approval Level	DATE	NAME	
			Compiler	2020-07-22	Christosolomon	
			2	2020-07-22	Sahul Homeed	
			3			
			4			

504035	T	2020-07-22	TRI	PRODUCT IDENTIFICATION NO.	DOC. CODE	Page
DCN-NO.	Revision	DATE	5560	M301910	091	2/2