

## EXTENSION FITTINGS FOR COMPOSITE LEVELLING VALVE

With focus on specific market needs, WABCO introduces extension fittings for the new trailer chassis levelling valves.

Fittings have been available since September 2017 and are sold in 50 pcs per batch for each variant.

### PUSH-IN PTC FITTINGS

- **Elbow** 893 000 078 2 (8x1 tube)
- **T-piece** 893 000 058 2 (8x1 tube)

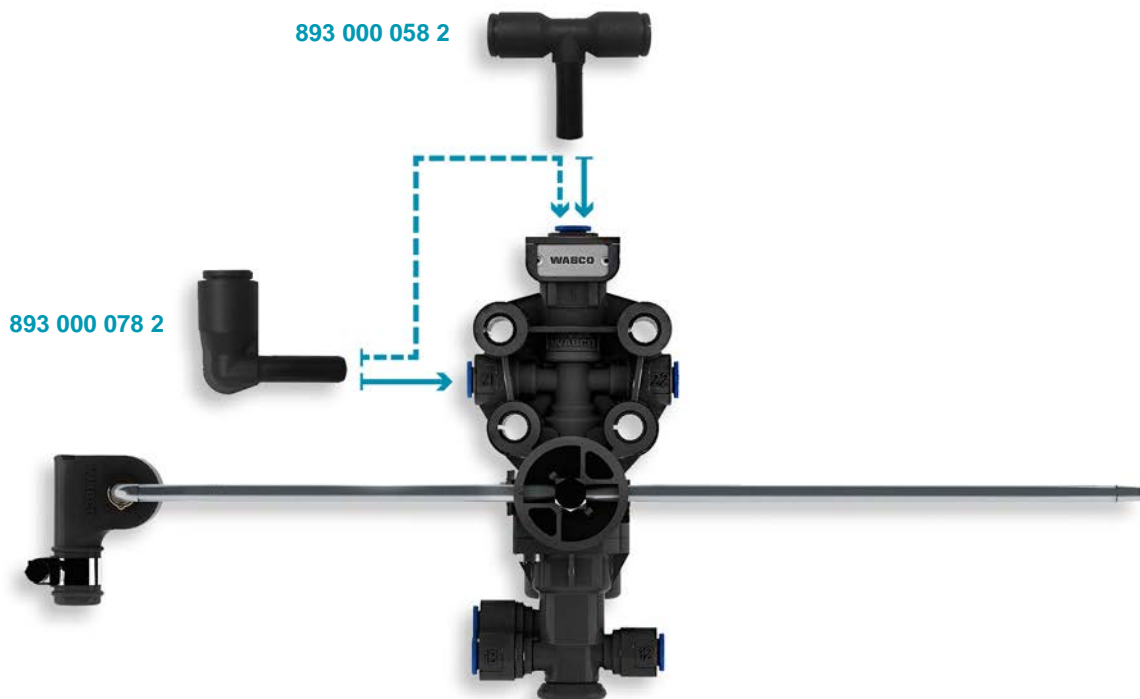
### COMPATIBILITY

Both fittings work with all composite levelling valve variants:

- **Basic**
  - 464 006 500 0
  - 464 006 540 0
  - 464 006 580 0
- **Height Limitation** 464 006 520 0



*Fittings for composite levelling valve*



Information on WABCO products can be found in our [INFORM](http://inform.wabco-auto.com) product catalogue (inform.wabco-auto.com) by entering the product number in the "Product Number" search field.

Please contact your [WABCO partner](http://www.wabco-auto.com/findwabco) for further information (www.wabco-auto.com/findwabco).