

CLEARANCE OF MIN. 3 - MAX 6 DIGITS BETWEEN BATCH NUMBER AND ENVIRONMENTAL MARKING

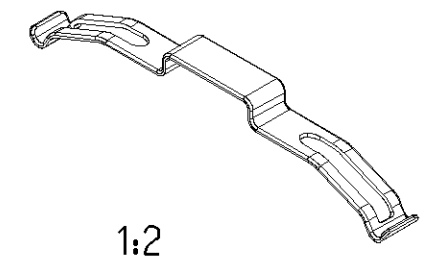
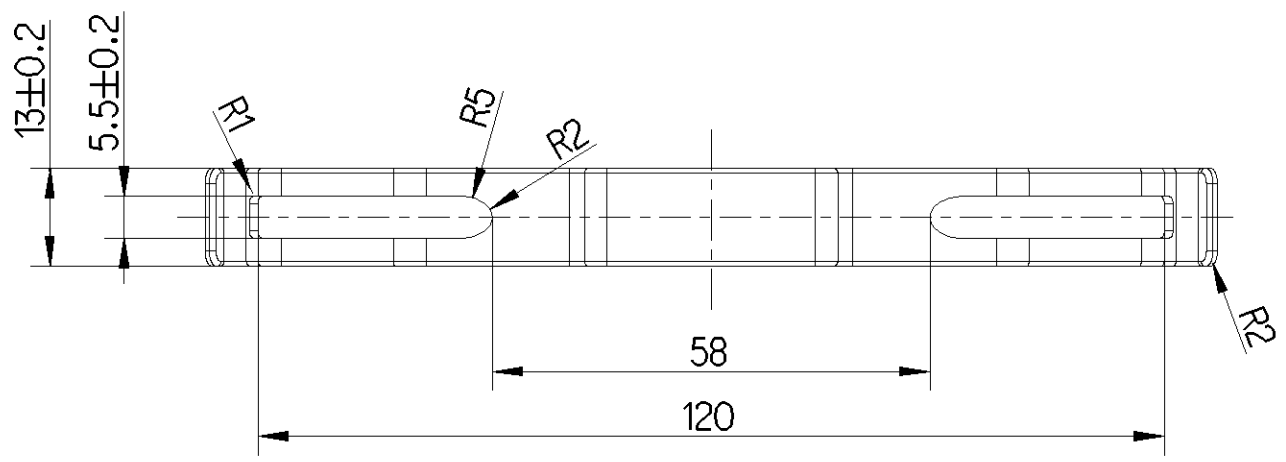
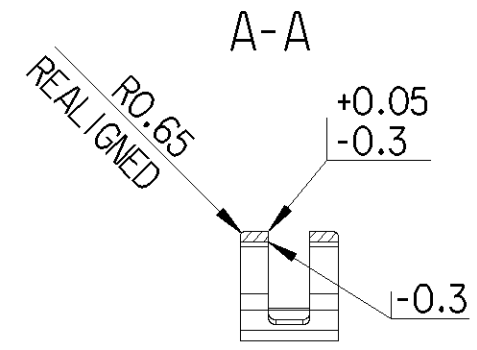
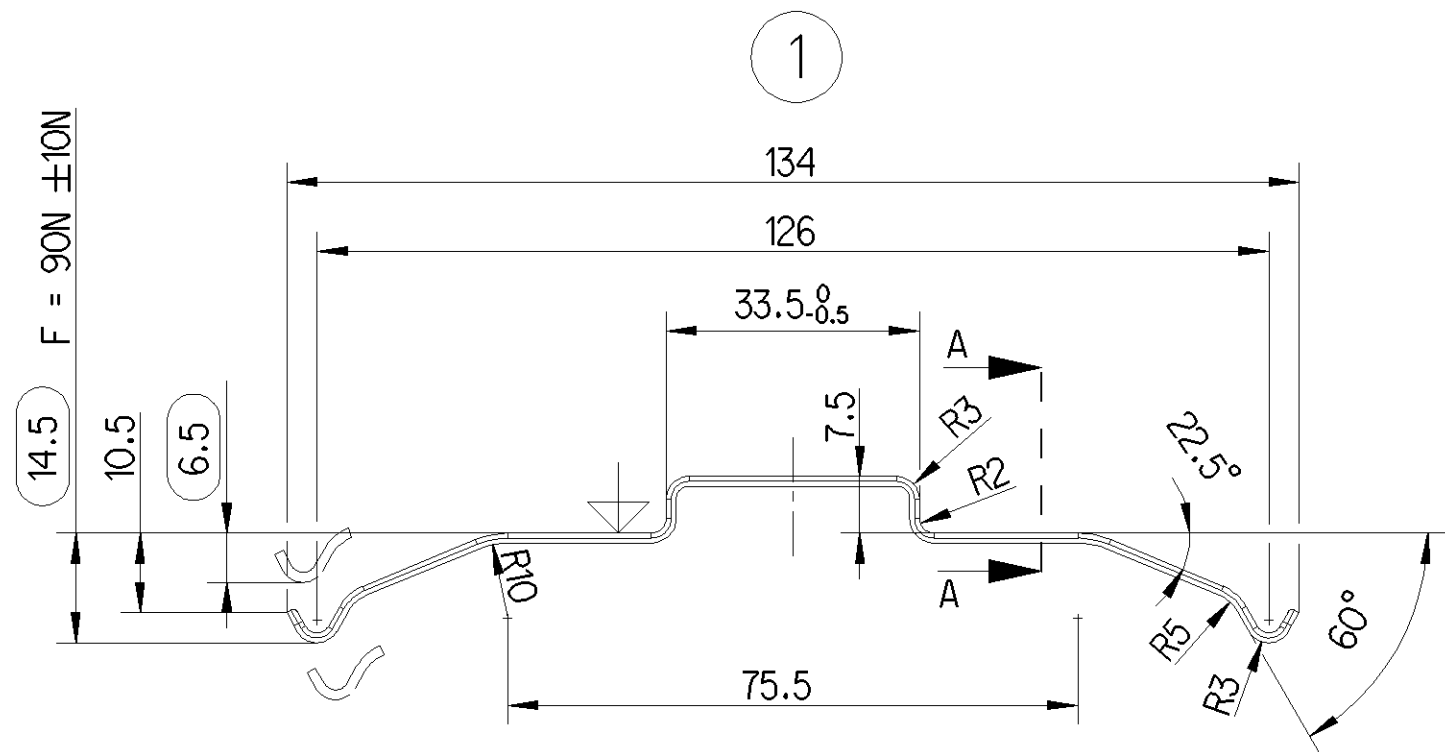
DRAFT FOR TEXT AREAS EXPLANATION ONLY. DRAFT CAN BE DIFFERENT TO THE REAL PART.

IDENTIFICATION	DESIGNATION	KIND OF MARKING	COLOUR	SIZE OF TYPES RESP. STANDARD	REMARKS
e	PROVIA - LOGO	TAMPON / UV-BRANDING	WHITE	SIZE 6	
f	PROVIA - SET NUMBER	TAMPON / UV-BRANDING	WHITE		
g	PROVIA - SALES REFERENCE, US-CODE (WHEN EXIST)	TAMPON / UV-BRANDING	WHITE		
h	NUMBER OF WVA	TAMPON / UV-BRANDING	WHITE		
j	NUMBER OF ECE	TAMPON / UV-BRANDING	WHITE		HEIGHT OF CHARACTERS 5±1MM HEIGHT OF CHARACTERS AND POSITION OF THE MARKING MAY BE ACC. TO THE SHAPE OF THE BACKING PLATE
k	COUNTRY OF ORIGIN	TAMPON / UV-BRANDING	WHITE		
l	BATCH NUMBER	TAMPON / UV-BRANDING	WHITE		
m	ENVIRONMENTAL MARKING ACC. TO SAE J866 JUL.2012 OR LATEST	TAMPON / UV-BRANDING	WHITE		

- (A) MAX. 10% LACQUER PERMITTED, WITHOUT MOULD SKIN. (ACC. TO FINISHING CODE)
- (B) FIRMLY ATTACHED BURR AROUND PAD CONTOUR PERMITTED, MUST NOT PROTRUDE BEYOND BACKING PLATE

General Specification: JED-334-1 - Size ISO 14405 LP		Copyright WABCO®	
Further Technical Data: Part Specification		Date: 2018-07-18	Signature: Cebula
Doc. Code: 014	Sheet: To	Checked: Marcinkiewicz	Expert: Liszwan
General Tolerances JED-261			
Range of Nominal Dimensions (± mm)			
Class	1)	≤ 50	> 50 < 180
Fine		± 0.1	± 0.15
Medium	X	± 0.2	± 0.3
Coarse		± 0.3	± 0.5
Tapped Holes acc. -			
1) Tolerance Class Applied Crossmarked			
Material No. 340 175 000 2		Date of first issue: 2016-03-26	Doc. Code Language Sheet
ECH-NO. 176942		Revision: 6 x C	0959
A 1 CREO		Replacement for	

Non è permesso copiare o riprodurre questo documento, né utilizzare il contenuto a fini commerciali, senza permesso scritto dalla WABCO. È vietata espressamente la ristampa o l'uso non autorizzato. Toute réimpression ou utilisation non autorisée sans la permission écrite de la WABCO est formellement interdite. Toute utilisation non autorisée sera considérée comme étant illicite.



POS.	NAME	QUANTITY
1	LEAF SPRING PAN 17	6

General Specification: JED-334-1, Size ISO 14405 LP Further Technical Data: Part Specification Doc. Code: O14 Sheet: To		Copyright WABCO® Date: 2018-07-18 Signature: Cebula Drawn: 2018-07-18 Checked: Marcinkiewicz Expert: Lisztwan		ProVia PAD KIT		
General Tolerances JED-261 Range of Nominal Dimensions (± mm) Class 1) ≤ 50 > 50 ≤ 180 > 180 ≤ 400 > 400 ±3°		Mass: 5.8 KG Scale: 1:1 (1:2) Size: A 3 CAD System: CREO				
Tapped Holes acc. - 1) Tolerance Class Applied Crossmarked		ECN-No.: 176942 Revision: 6 x C Techn. Resp.: 0959		Replacement for: -		

Non e permesso consegnare a terzi o riprodurre questo documento, ne utilizzare il contenuto o renderlo comunque noto a terzi senza autorizzazione esplicita. Ogni infrazione costituirà un evidente abuso e comporterà il risarcimento dei danni subiti. E' fatto riserva di tutti i diritti derivanti da brevetti o modelli.

Copying of this document and giving it to others and the use or communication of the contents thereof, are forbidden without express authority. Controvention of this restriction will constitute an evident abuse and result in a liability to the payment of damages. All rights are reserved in the event of the grant of patent or registration of a utility model or design. This document is the subject of copyright.

Toute communication ou reproduction de ce document, toute exploitation ou communication de son contenu sont interdites, sauf autorisation expresse. Tout manquement a cette regle constitue un abus evident et expose son auteur au versement de dommages et interets. Tous droits de propriete industrielle reserves, notamment en matiere de brevets et de modesles.

Weitergabe sowie Vervielfaeligung dieser Unterlage, Verwertung und Mitteilung ihres Inhalts nicht gestattet, soweit nicht ausdruecklich zugestanden. Zuwiderhandlungen stellen einen offensichtlichlichen Misbrauch dar und verpflichten zu Schadenersatz. Alle Rechte fuer den Fall der Patenterteilung oder Gebrauchsmuster-Eintragung vorbehalten.