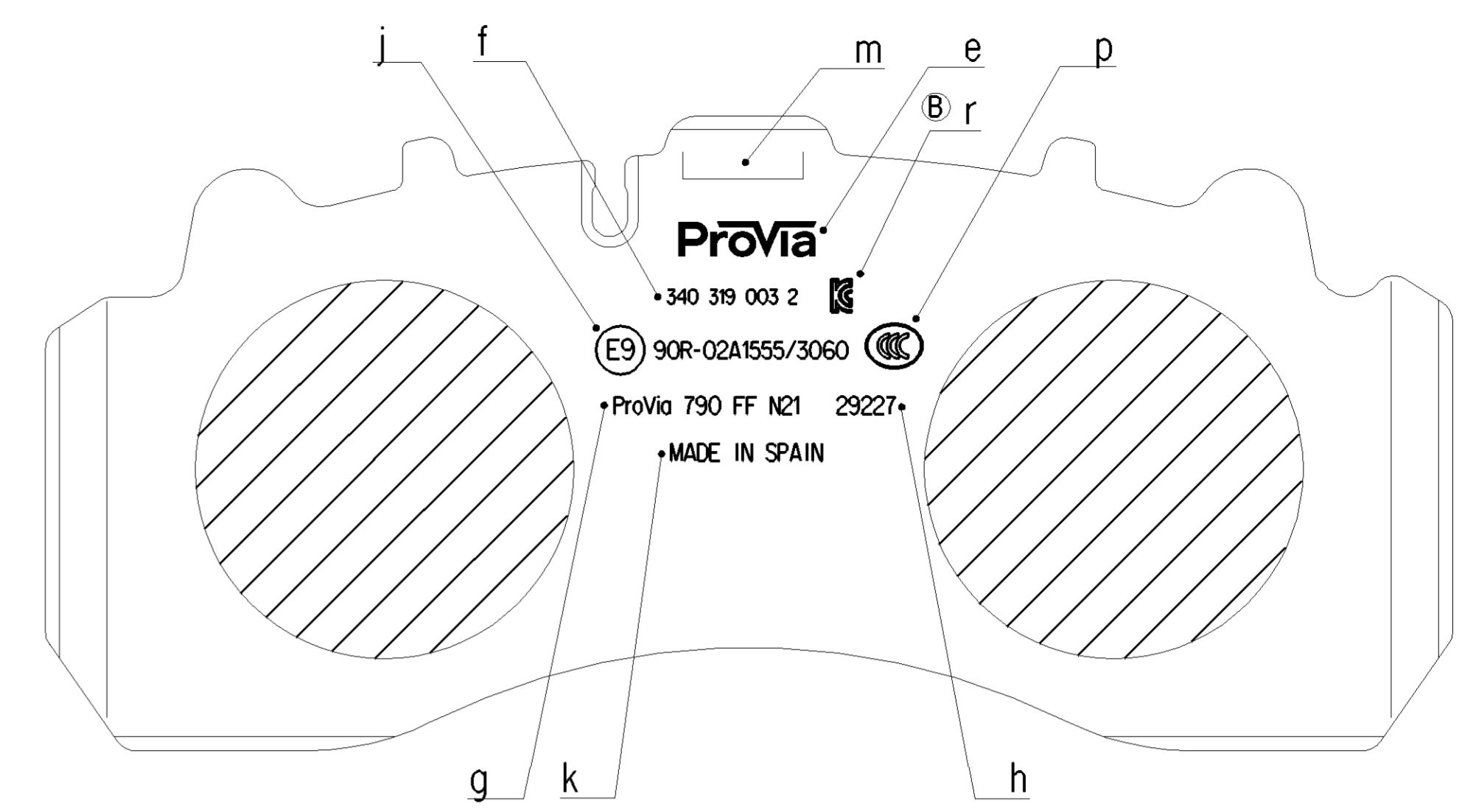
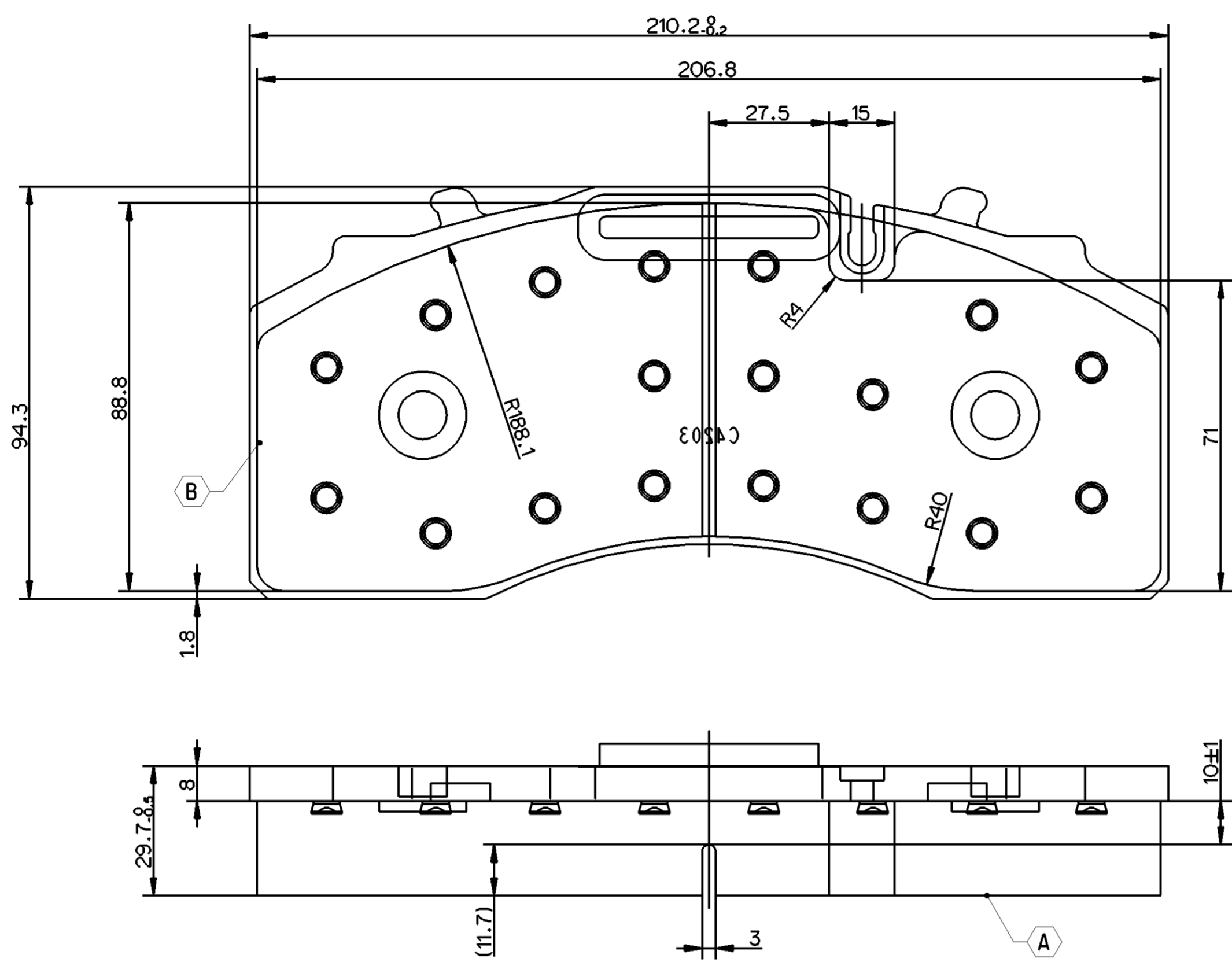


<- SAFETY CHARACTERISTICS	0
<- SIGNIFICANT CHARACTERISTICS	0
<- CUSTOMER INTERFACE	0



DRAFT FOR TEXT AREAS EXPLANATION ONLY. DRAFT CAN BE DIFFERENT TO THE REAL PART.  
HEIGHT OF CHARACTERS AND POSITION OF THE MARKING MAY BE ACC. TO THE SHAPE OF THE BACKING PLATE.

IDENTIFICATION	DESIGNATION	KIND OF MARKING	COLOUR	SIZE OF TYPES	REMARKS
e	PROVIA - LOGO	TAMPON / UV-BRANDING	WHITE	HEIGHT 6±1	
f	PROVIA - SET NUMBER	<sup>B</sup> INKJET PRINTING	WHITE	<sup>B</sup> HEIGHT 2.5±1	
g	FRICTION MATERIAL CODE	<sup>B</sup> INKJET PRINTING		HEIGHT 3±1	
h	NUMBER OF WVA				
j	NUMBER OF ECE R90				
k	COUNTRY OF ORIGIN				
m	TRACEABILITY CODE	<sup>B</sup> STAMPING			
n	EAC - LOGO	STICKER PRINTING	BLACK	HEIGHT 6	LOGO TO BE ADDED IN PACKAGING BOX STICKER
p	CCC - LOGO	<sup>B</sup> INKJET PRINTING	WHITE	SIZE 8X6.3±1	
r	KC - LOGO	<sup>B</sup> INKJET PRINTING	WHITE <sup>B</sup>	<sup>B</sup> HEIGHT 6±1	

- <sup>A</sup> MAX. 10% LACQUER PERMITTED, WITHOUT MOULD SKIN. (ACC. TO FINISHING CODE)
- <sup>B</sup> FIRMLY ATTACHED BURR AROUND PAD CONTOUR PERMITTED, MUST NOT PROTRUDE BEYOND BACKING PLATE

POS.	NAME	NUMBER OF WVA	QUANTITY
1	BRAKE PAD	29227	4

General Specification: JED-334-1 - Size ISO 14405 LP  
Further Technical Data: 340 319 003 2  
Doc. Code: 014 Sheet: 1 To 3

Copyright WABCO®  
Date: 2021-09-28  
Signature:   
Checked:   
Expert:

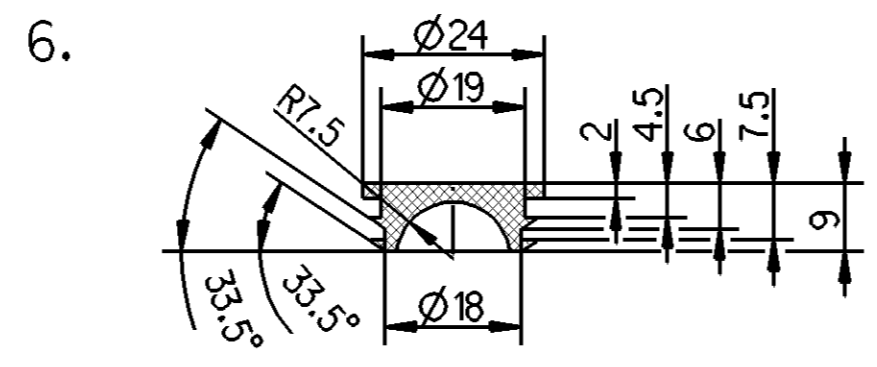
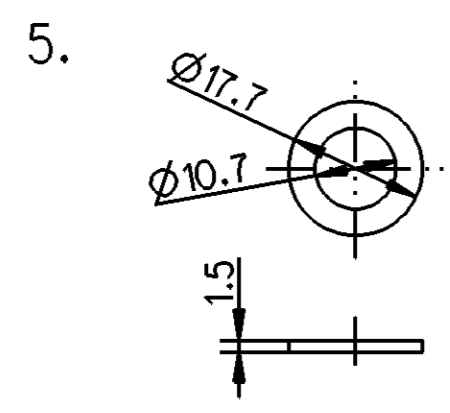
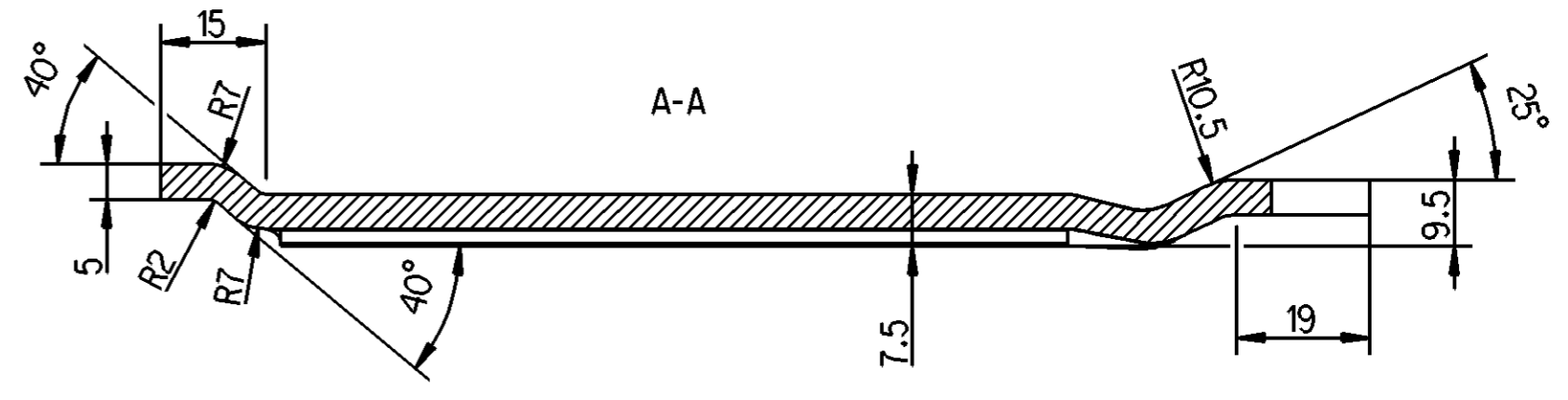
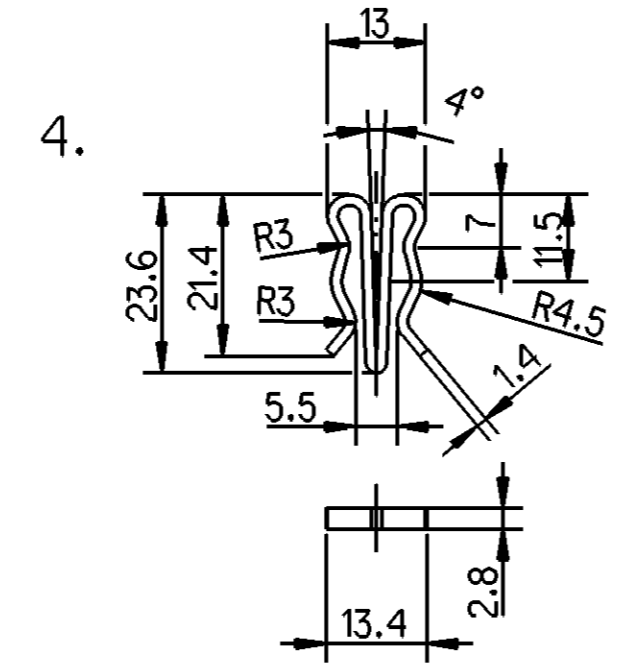
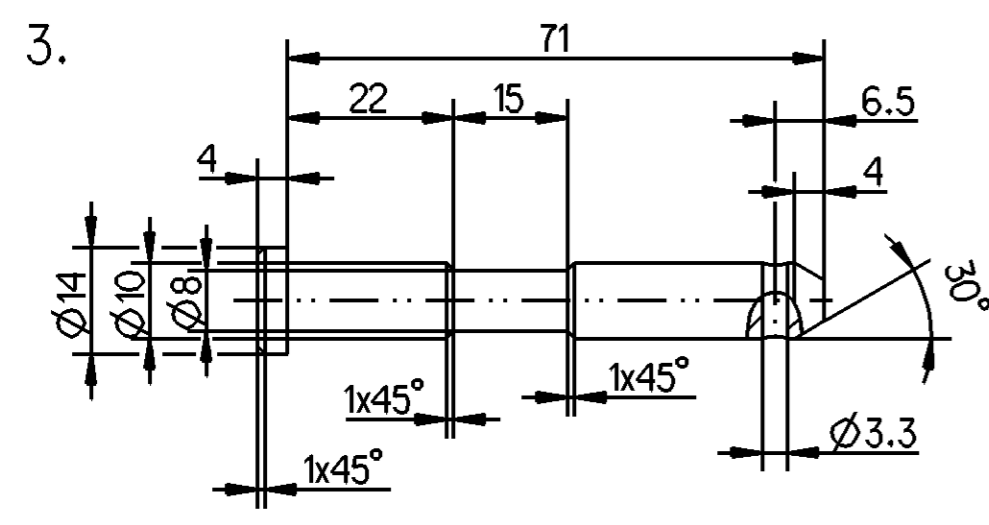
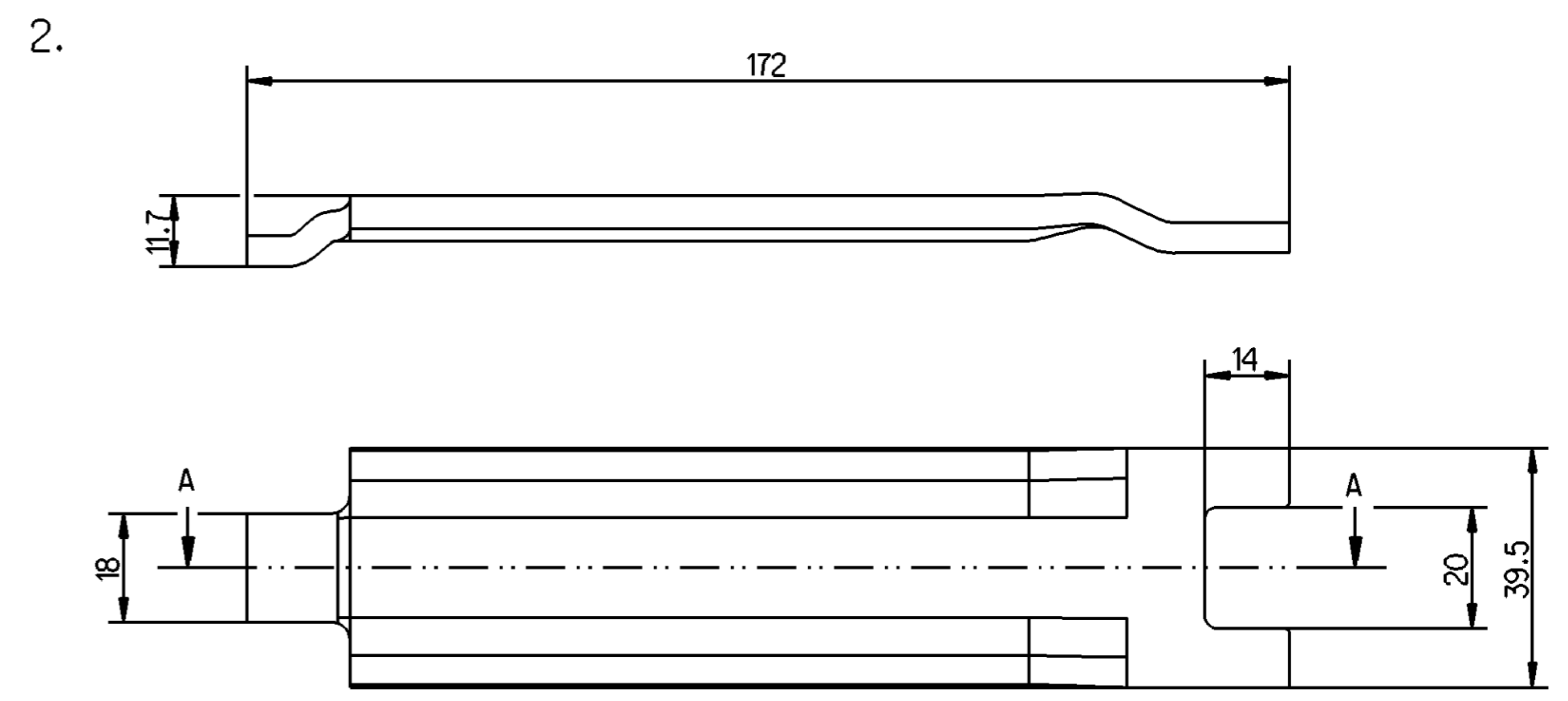
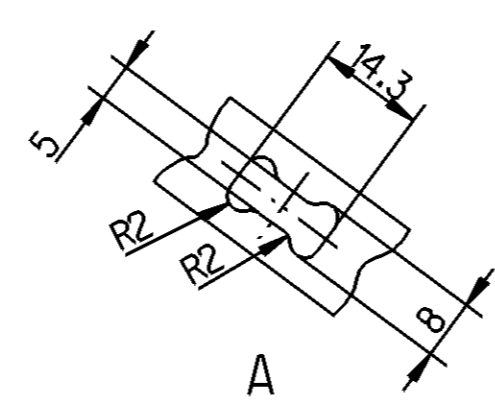
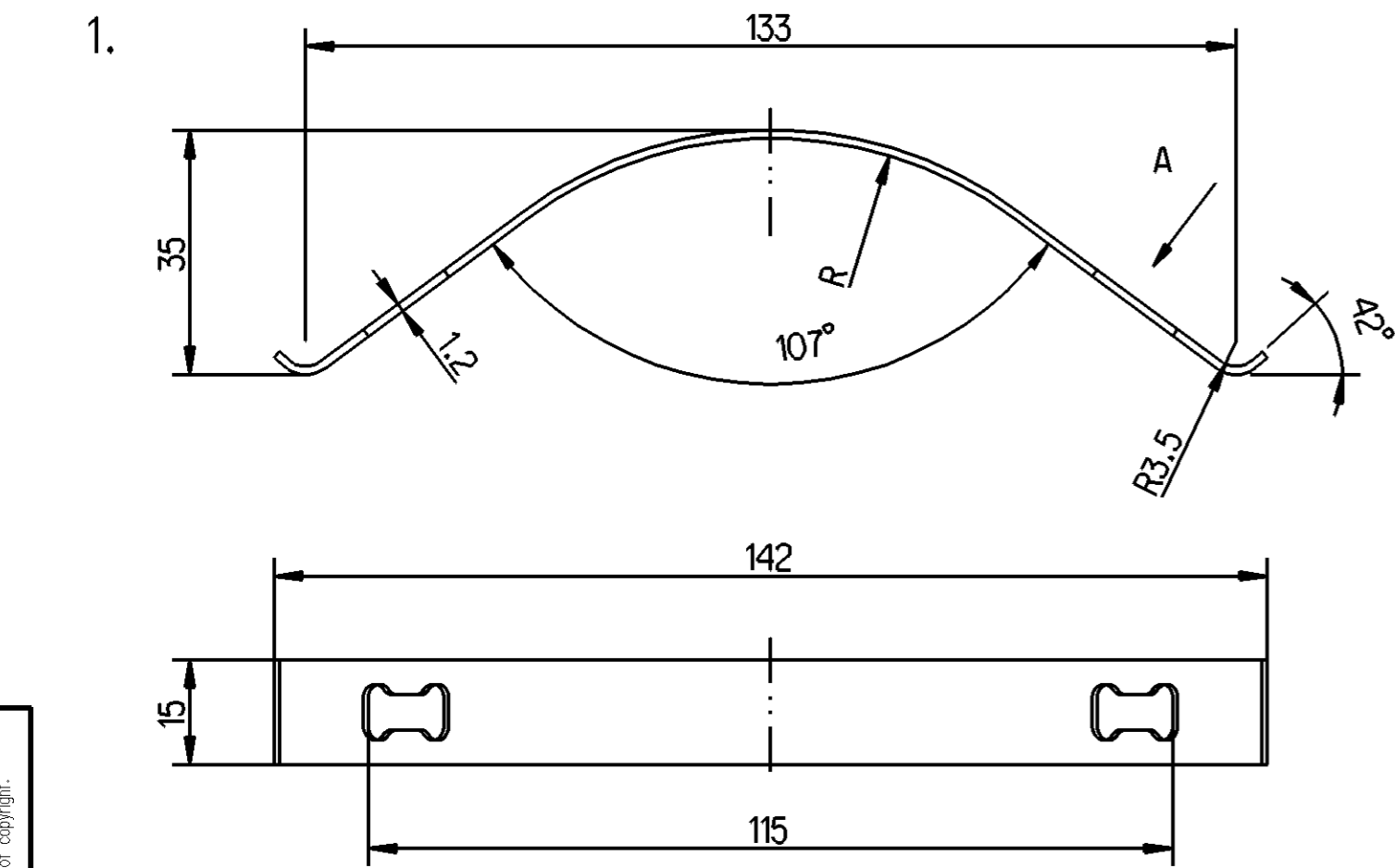
Material No.: 340 319 003 2  
Date of first issue: 2021-05-17  
Doc. Code: 005 EN 1/2

Mass: 8.67 kg  
Scale: 1:1  
Size: CAD System

ECN-No.: 509293  
Revision: 10x B  
Techn. Resp.: 6928\_AM

1) Tolerance Class Applied Crossmarked

Non è permesso copiare o riprodurre questo documento, né utilizzare il contenuto o i marchi contenuti in esso, senza permesso scritto dalla WABCO. È vietata espressamente la ristampa o l'uso non autorizzato di questo documento. Toute réimpression ou utilisation non autorisée sans la permission écrite de la WABCO est formellement interdite. Toute réimpression ou utilisation non autorisée sans la permission écrite de la WABCO est formellement interdite.



POS.	NAME	QUANTITY
1	SPRING	4
2	PLATE	2
3	PIN	2
4	PIN	2
5	WASHER	2
6	RUBBER CAP	2

Non e permesso copiare, o terzi o riprodurre questo documento, ne utilizzare il contenuto o renderlo comunque noto a terzi senza autorizzazione esplicita. Ogni infrazione costituisce un evidente abuso e comportera il risarcimento dei danni subiti. E' fatta riserva di tutti i diritti derivanti da brevetti o modelli.

Copying of this document and giving it to others and the use or communication of the contents thereof, are forbidden without express authority. Contravention of this restriction will constitute an evident abuse and result in a liability to the payment of damages. All rights are reserved in the event of the grant of patent or registration of a utility model or design. This document is the subject of copyright.

Toute communication ou reproduction de ce document, toute exploitation ou communication de son contenu sont interdites, sauf autorisation expresse. Tout manquement a cette regle constitue un abus evident et expose son auteur au versement de dommages et interets. Tous droits de propriete industrielle reserves, notamment en matiere de brevets et de modesles.

Wiedergabe sowie Vervielfaltigung dieser Unterlagen, Verwertung und Mitteilung ihres Inhalts nicht gestattet, soweit nicht ausdrücklich angedeutet. Zuwiderhandlungen stellen einen offensichtlichen Missbrauch dar und verpflichten zu Schadensersatz. Alle Rechte für den Fall der Patenterteilung oder Gebrauchsmuster-Eintragung vorbehalten.

General Specification: JED-334-1, Size ISO 14405 LP		Copyright WABCO®		<b>ProVia</b>	
Further Technical Data: 340 319 003 2		Date	Signature	KIT: BRAKE PAD	
Doc. Code: 014 Sheet: 1 To 3		2021-09-28	Sivaprosom	Date of first issue: 2021-05-17	
General Tolerances JED-261		Checked		Doc. Code Language Sheet	
Range of Nominal Dimensions ( ± mm)		2021-09-28 Manivanon		005 EN 2/2	
Class 1) ≤ 50 > 50 ≤ 180 > 180 ≤ 400 > 400		Expert		ECN-No. Revision Techn. Resp. Replacement for	
Fine 0.5 1.0 1.5 2.0		Thomas Bilzing		509293 - B 6928_AM	
Medium X 1.0 2.0 3.0 4.0		Mass Scale	Material No.	Date of first issue: 2021-05-17	
Coarse 2.0 3.5 5.0 6.5		8.67 kg 1:1	340 319 003 2	Doc. Code Language Sheet	
Tapped Holes acc. -		Size CAD System	A 2 CREO	005 EN 2/2	
1) Tolerance Class Applied Crossmarked		±3°		Replacement for	

100mm