

USABLE PLUG 894 100 470 2 OR  
 TERMINAL 6,3 DIN 46247.  
 VERWENDBARER STECKER 894 100 470 2  
 ODER STECKHUELSE 6,3 DIN 46 247.

TECHNICAL DATA :  
 TECHNISCHE DATEN :

MEDIUM \_\_\_\_\_ AIR  
 LUFT

NOMINAL DIAMETER \_\_\_\_\_ 4 mm  
 NENNWEITE

WORKING PRESSURE \_\_\_\_\_ min. 5  
 BETRIEBSDRUCK \_\_\_\_\_ max. 10 bar

THERMAL RANGE OF APPLICATION \_\_\_\_\_ -25...+80°C  
 THERM. ANWENDUNGSBEREICH

VOLTAGE \_\_\_\_\_ 24 V  $\pm 4,8$  V  $\text{\textcircled{A}}$   
 SPANNUNG \_\_\_\_\_  $\pm 2,4$

TYPE OF CURRENT \_\_\_\_\_ DC  
 STROMART \_\_\_\_\_ GLEICHSTROM

SERVICE CONDITION \_\_\_\_\_ DISCONTINUOUS SERVICE 15% / 5 min.  
 BETRIEBSART \_\_\_\_\_ AUSSETZBETRIEB

NOMINAL CURRENT \_\_\_\_\_ 0,115 A  
 NENNSTROM

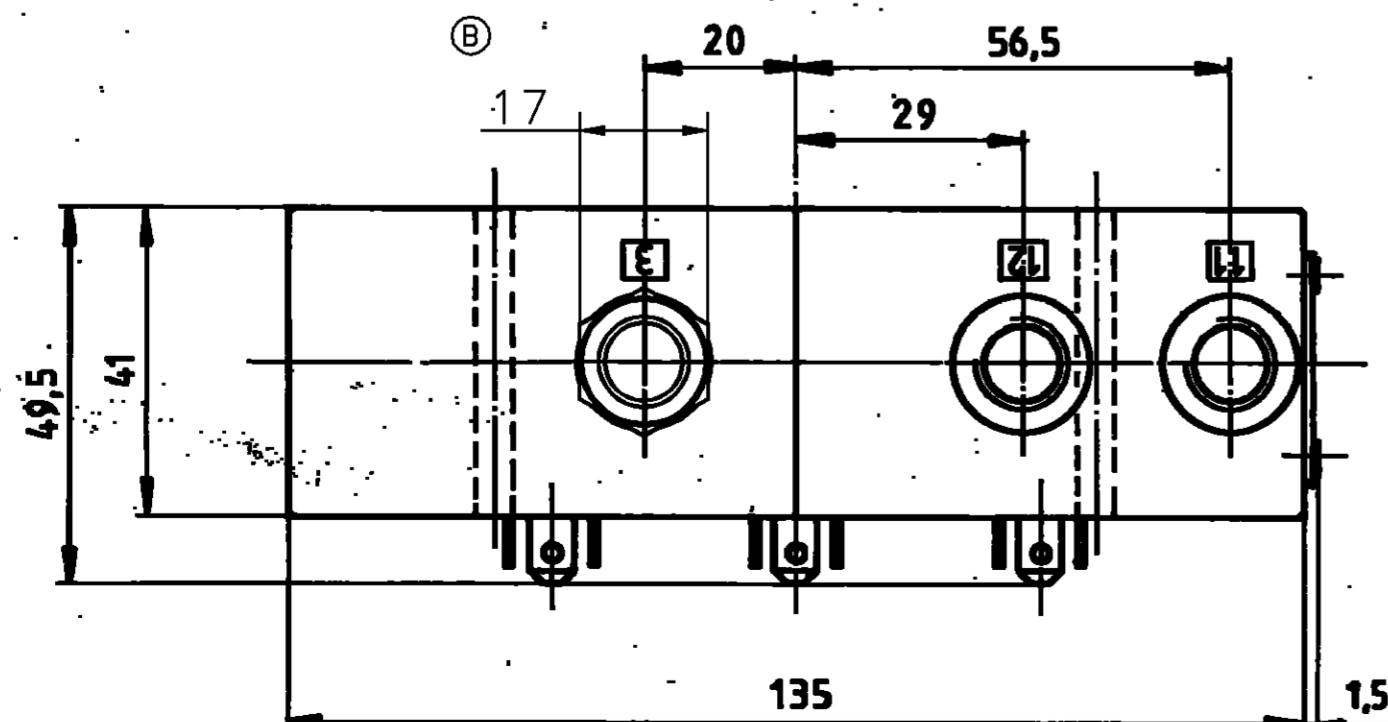
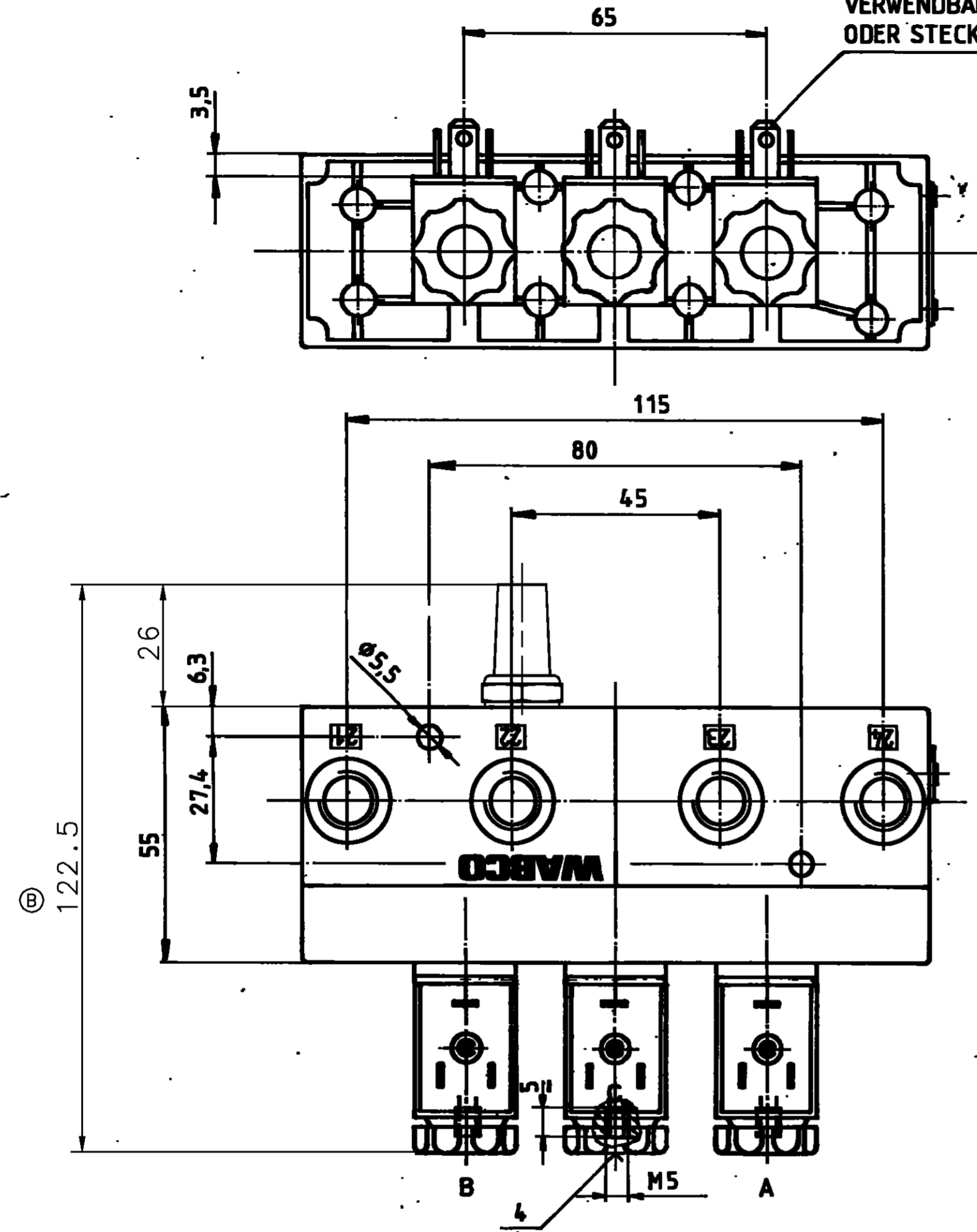
PORT ANSCHLUSS 11,12,21,22,23,24 \_\_\_\_\_ M12x1,5 - 9 DEEP  
 TIEF

TYPE OF PROTECTION WITH ATTACHED  
 AND SECURED PLUG \_\_\_\_\_ IP 65 DIN 40 050  
 SCHUTZART MIT AUFGEST. UND  
 GESICHERT. STECKER

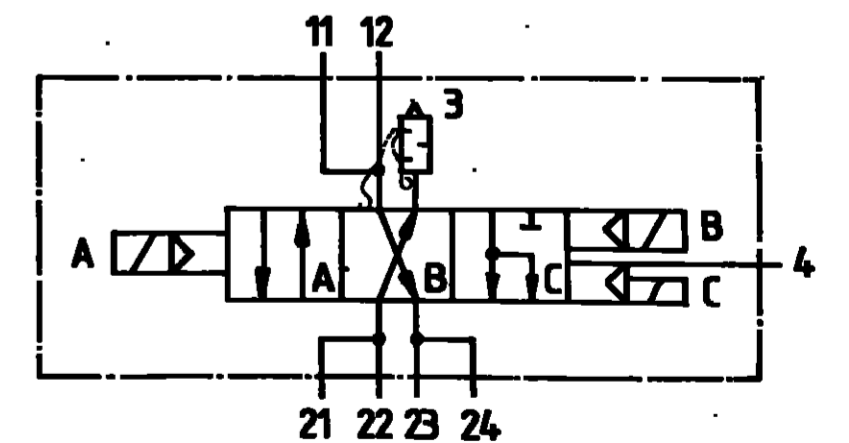
INSULANT CLASS \_\_\_\_\_ VDE 0580 \_\_\_\_\_ F  
 ISOLIERSTOFFKLASSE

POSITION OF INSTALLATION \_\_\_\_\_ OPTIONAL  
 EINBAULAGE \_\_\_\_\_ BELIEBIG

CONTROL PRESSURE \_\_\_\_\_ min. 5  
 STEUERDRUCK \_\_\_\_\_ max. 10 bar



- 11, 12 SUPPLY OR PORT FOR PRESSURE SWITCH  
 ENERGIEZUFUSS VOM VORRAT ODER  
 DRUCKSCHALTERANSCHLUSS
- 3 EXHAUST  
 ENTLUEFTUNG
- 21,22,23,24 DELIVERY OR PORTS FOR PRESSURE SWITCH  
 ENERGIEABFLUSS IN ARBEITSLEITUNGEN  
 ODER DRUCKSCHALTERANSCHLUESSE
- 4 CONTROL PORT  
 STEUERANSCHLUSS



FURTHER TECHNICAL DATA SEE				L		COPYRIGHT BY WABCO		WABCO	
IDENTIFICATION No.:				K		DATE		SIGNATURE	
CODE FOR DOCUMENT: 605 SHEET: TO				J		89-03-02		Rodriguez	
GENERAL TOLERANCES				H		89-03-02		4/3 - DIR. CONTROL VALVE	
RANGE OF NOMINAL DIMENSIONS (mm)				G		89-03-02		4/3 - WEGE - MAGNETVENTIL	
CLASS	1	2	3	4	F	STANDARDIZATION			
I	0,5	1	1,5	2	E	89-03-02			
II	1	2	3	4	D	MASS SCALE			
III	2	3,5	5	6,5	C	1:1			
TAPPED HOLES ACC. ISO 4039				062226 2xB 87-01-24		372 060 062 0		605 1/1	
TOLERANCE CLASS APPLIED CROSSMARKED				46495 1x A 91-11-25		A 2 140			
				DCH-NO. REV. DATE		LINE FOR PRODUCTION		LINE FOR SHOP	

This document is the property of WABCO. It is loaned to you for your use only. It is not to be reproduced, stored in a retrieval system, or transmitted in any form or by any means, electronic, mechanical, photocopying, recording, or by any information storage and retrieval system, without the prior written permission of WABCO. All rights are reserved.