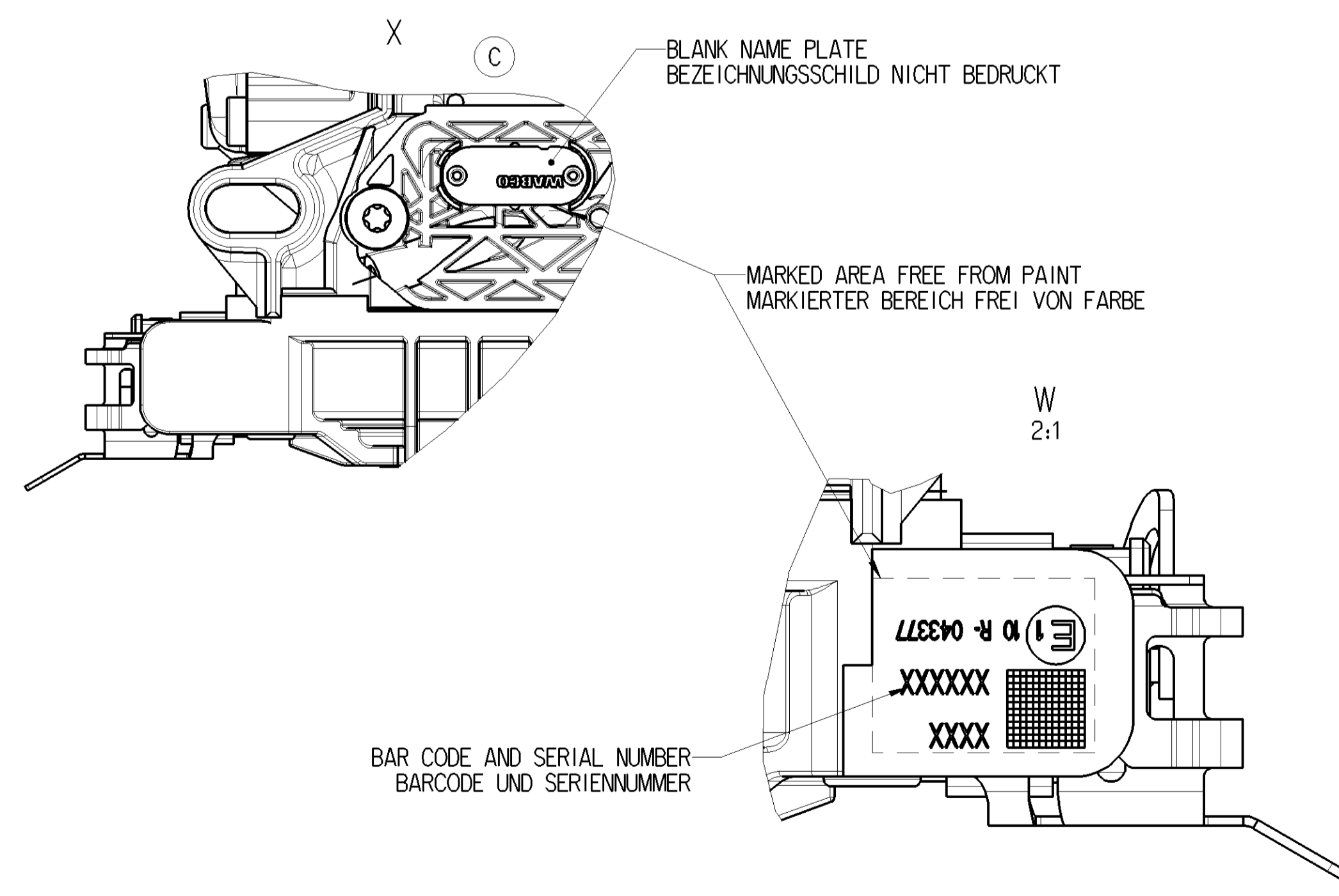
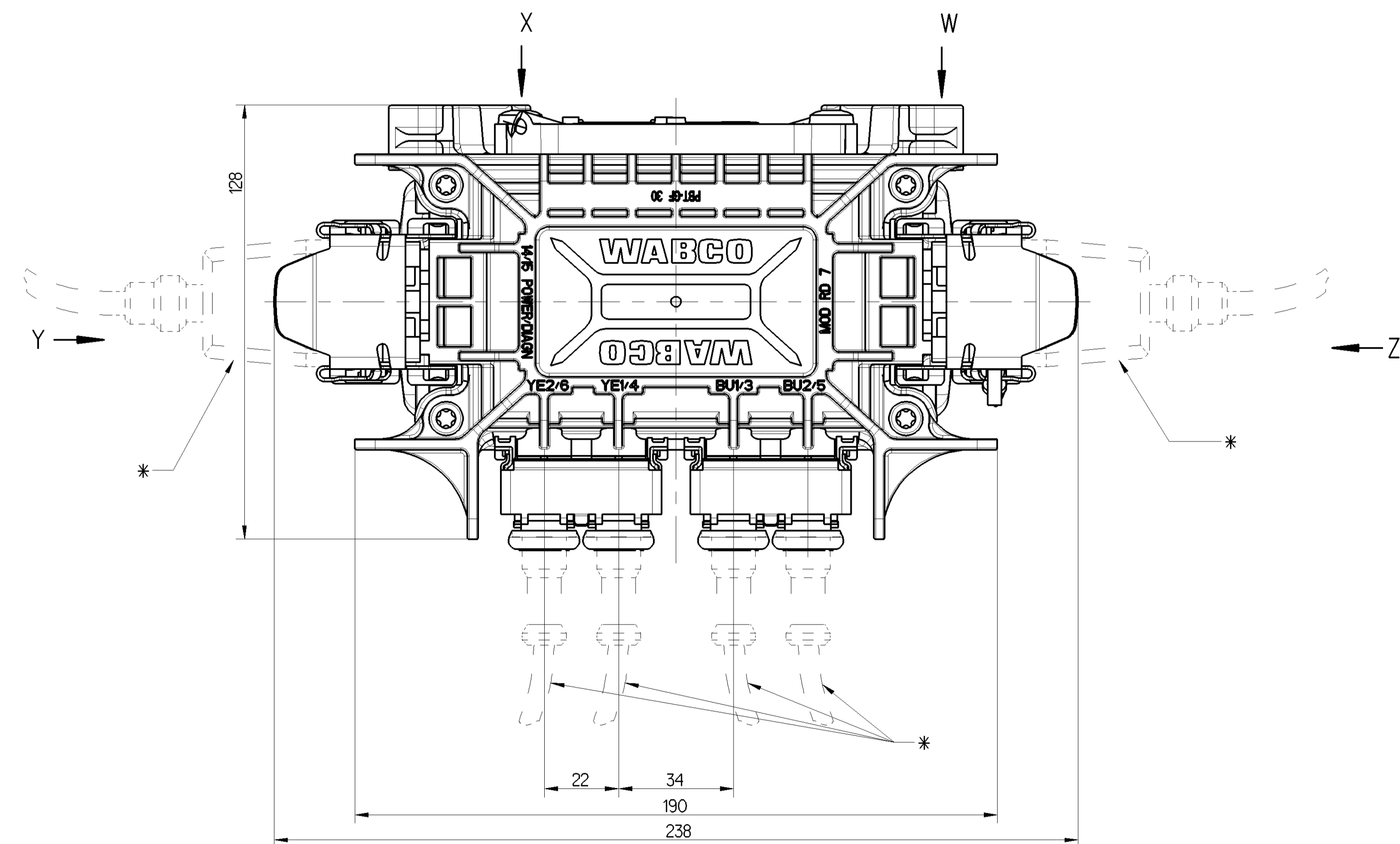
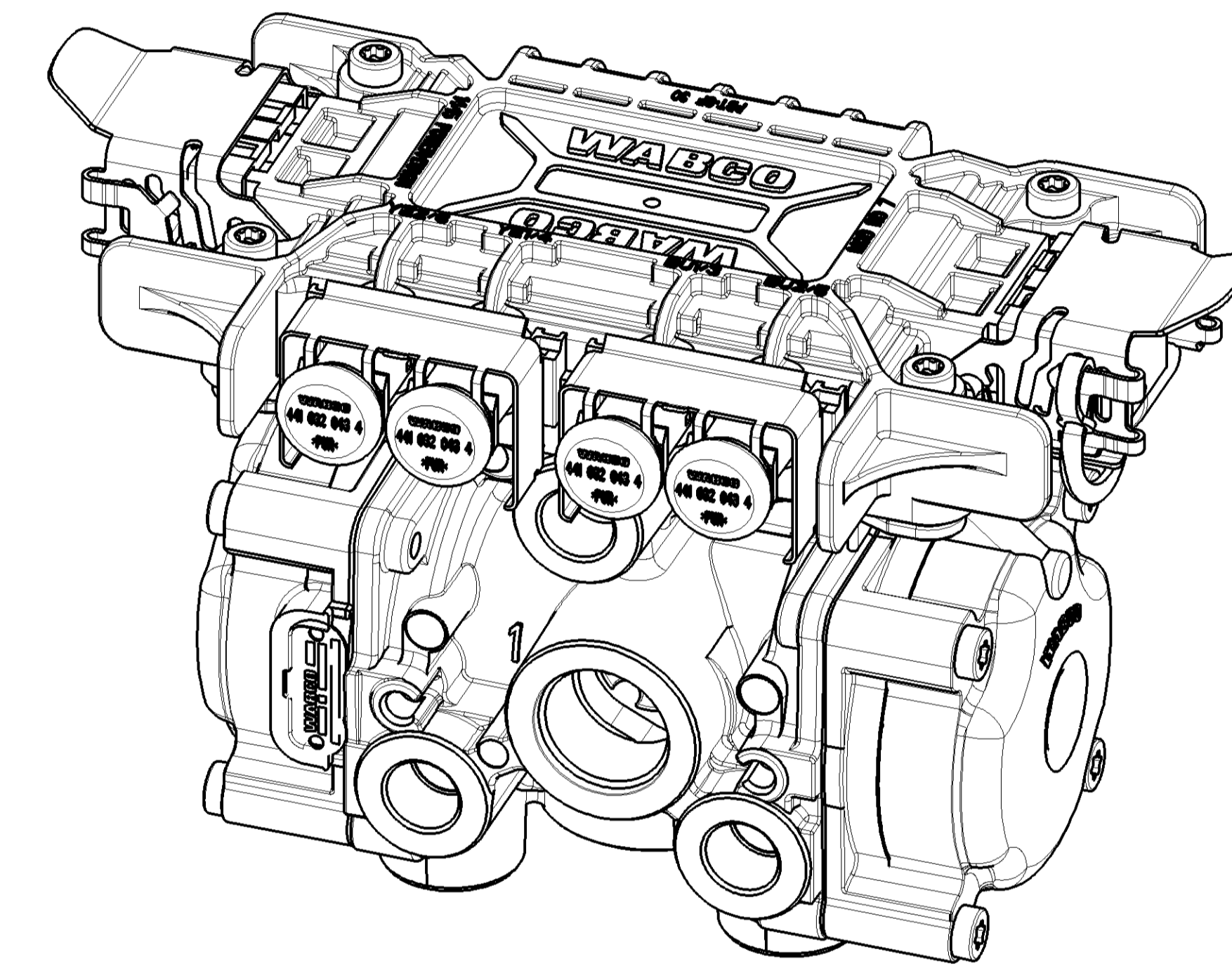
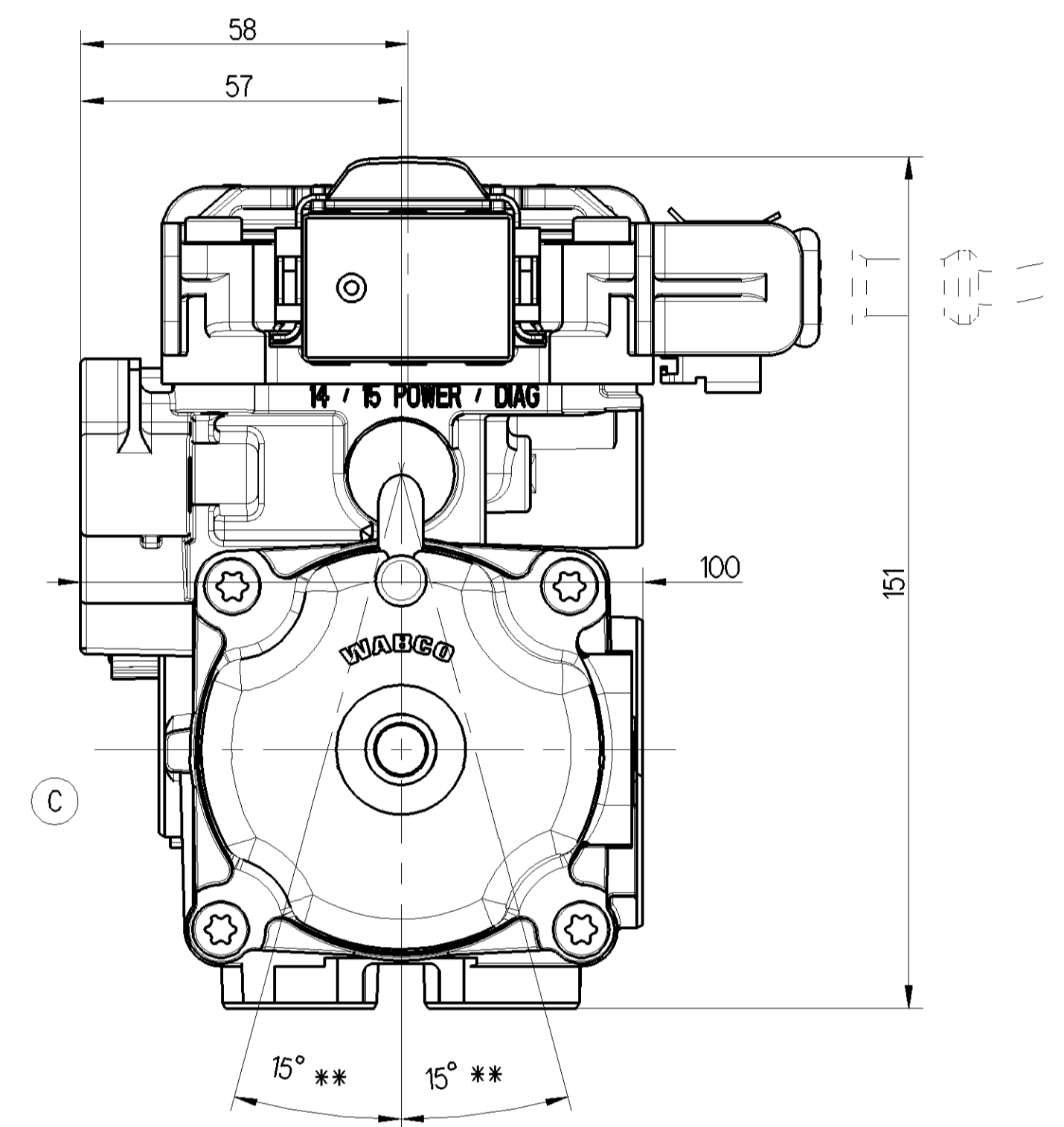
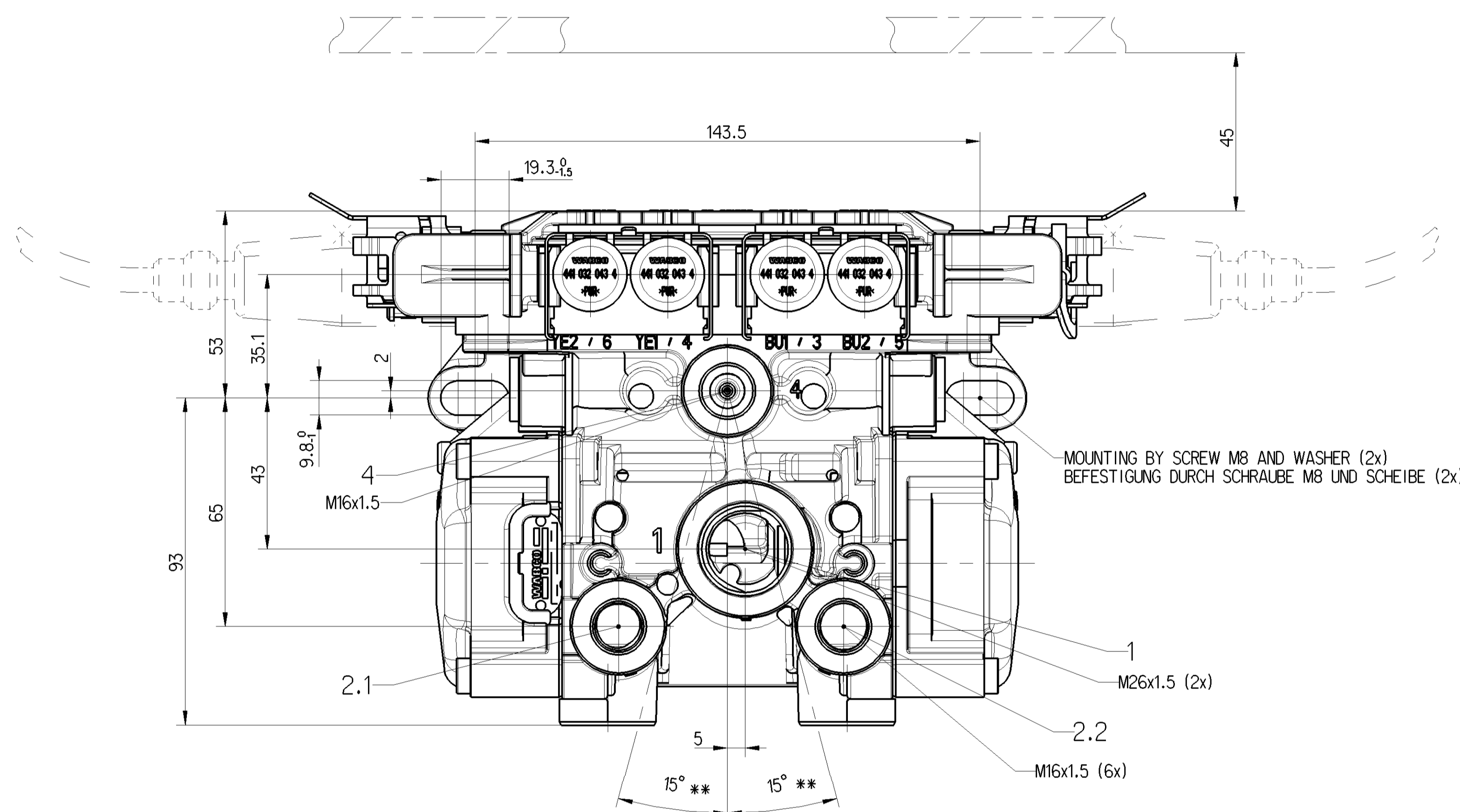
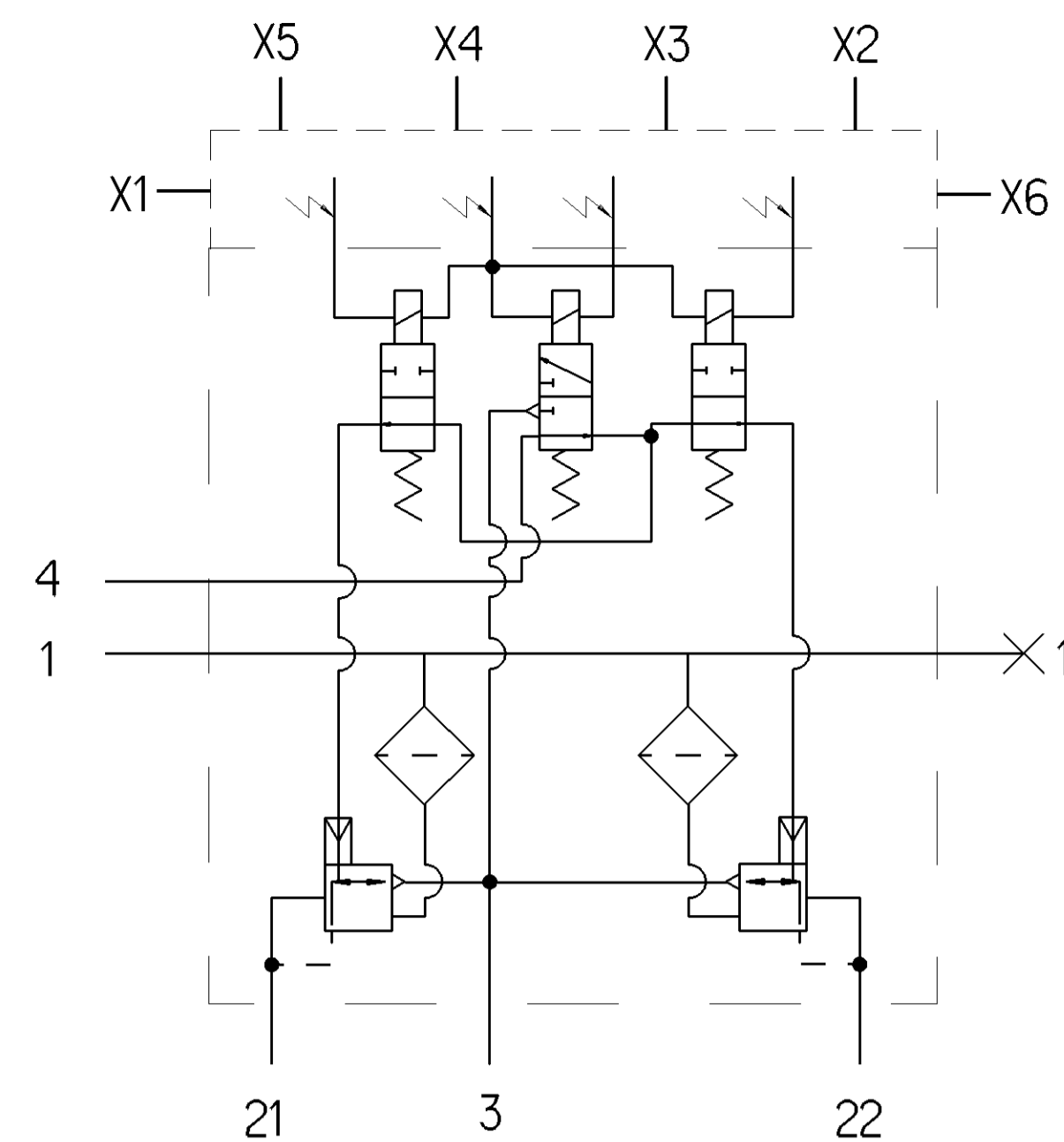


- 1 SUPPLY OF ENERGY ENERGIEZUFUSS
- 2 DELIVERY OF ENERGY ENERGIEABFUSS
- 3 EXHAUST ENTLUEFTUNG
- 4 CONTROL STEUERANSCHLUSS



WORKING MEDIUM: AIR (CONTAINING WATER, OIL AND ALCOHOL)
ARBEITSMEDIUM: LUFT (WASSER-, OEL- UND ALKOHOLHALTIG)

AMBIENT MEDIUM: AIR (CONTAINING WATER, SALT, DUST AND OIL)
UMGEBUNGSMEDIUM: LUFT (WASSER-, SALZ-, STAUB- UND OELHALTIG)

NOMINAL VOLTAGE: $U_N = 24V$ DC
NENNSPANNUNG:

DEGREE OF PROTECTION: IP 66 ⇒ EN 60 529
SCHUTZART:

THERMAL RANGE OF APPLICATION UNDER NORMAL AMBIENT CONDITIONS: -40°F +149°F
THERMISCHER ANWENDUNGSBEREICH UNTER NORMALEN UMGEBUNGSBEDINGUNGEN: -40°C +65°C

SHORT-TIME RESISTANCE TO HEAT: 230°F (MAX. 1h) WITHOUT FUNCTION
KURZZEITIGE WÄRMESTÄNDIGKEIT: 110°C OHNE FUNKTION

WORKING PRESSURE (SUPPLY): $P_1 = 10$ BAR
BETRIEBSDRUCK (VORRAT):

MAX. PERMISSIBLE WORKING PRESSURE (SUPPLY): $P_1 = 13$ BAR TEMPORARILY
MAX. ZULÄSSIGER BETRIEBSDRUCK (VORRAT): KURZZEITIG

MIN. FLOW PASSAGE / NOMINAL DIAMETER:
MIN. DURCHFLOSSEOFFNUNG / NENNWEITE:

| | | | | |
|------------|-----|---------------------------|-----|--------------------------|
| PORT: | 1 | 113mm ² / NW12 | 2.1 | 79mm ² / NW10 |
| ANSCHLUSS: | 2.2 | 79mm ² / NW10 | 2.3 | 79mm ² / NW10 |

SCREW PLUG TIGHTENING TORQUE: M16x1.5; $M_{max} = 34N$
ANZUGSMOMENT FUER VERSCHLUSSSCHRAUBEN: M26x1.5; $M_{max} = 67N$

LAYING OF THE CABLES ACCORDING TO INSTALLATION INSTRUCTION: 449 000 000 0. DOC-CODE 611
VERLEGUNG DER ELEKTRISCHEN LEITUNGEN GEMAES INSTALLATIONSVORSCHRIFT:

FURTHER TECHNICAL DATA SEE SPECIFICATIONS: 400 500 088 0_435
WEITERE TECHNISCHE DATEN SIEHE SPEZIFIKATIONEN: 400 010 203 0_435

* USE ONLY THE LINES INCL. THE COUPLINGS DELIVERED BY WABCO AND/OR RELEASED BY WABCO;
NOT INCLUDED IN SCOPE OF SUPPLY;
TO BE DELIVERED WITH PROTECTION CAPS

NUR VON WABCO DELIEFERTE BZW. VON WABCO FREIGEGERNE LEITUNGEN INKL. KUPPLUNGEN VERWENDEN;
GEOEREN NICHT ZUM LIEFERUMFANG;
AUSLIEFERUNG MIT SCHUTZKAPPEN

** PERMISSIBLE INSTALLATION POSITION
ZULÄSSIGE EINBAULAGE

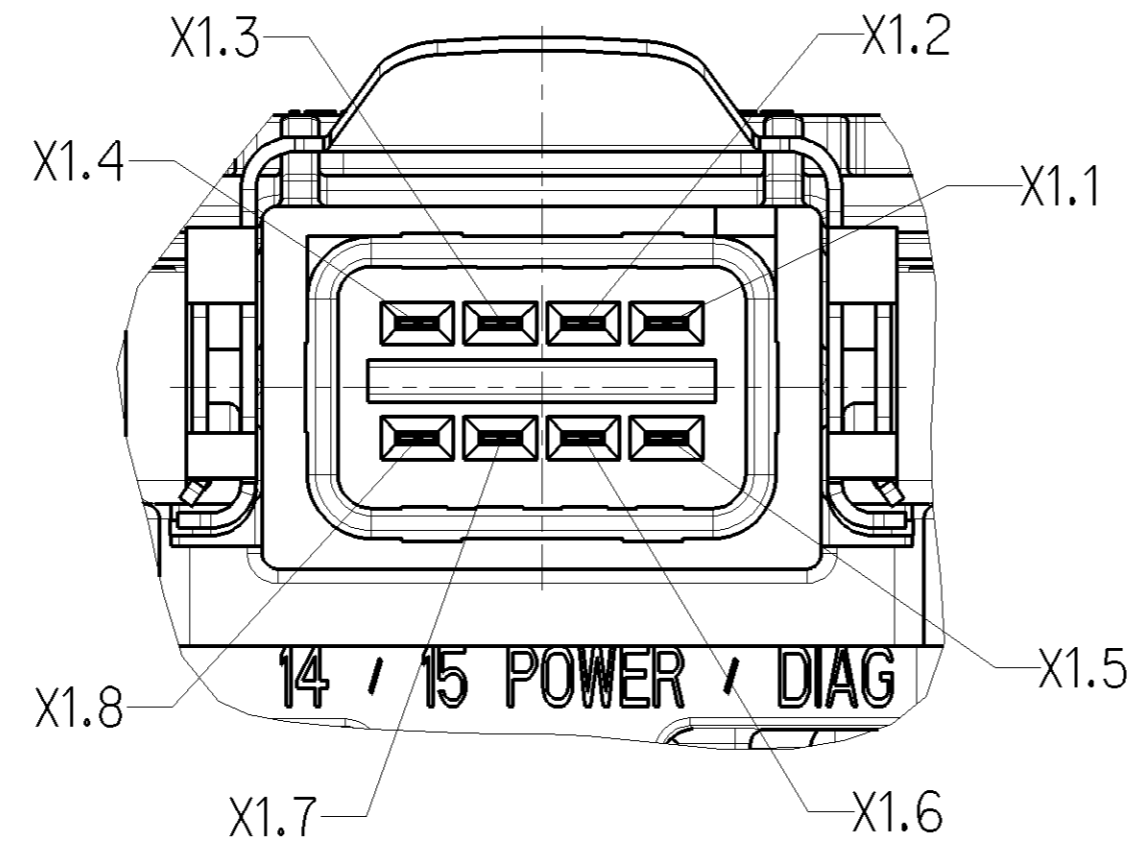
INSTALLATION INSTRUCTION: EXHAUST DOWNWARDS
EINBAUINWEIS: ENTLUEFTUNG NACH UNTEN

(C)

| | |
|--------------------------------------------------|---|
| SAFETY CHARACTERISTICS SICHERHEITSMERKMALE | 0 |
| SIGNIFICANT CHARACTERISTICS WESENTLICHE MERKMALE | 0 |

| | | | | | |
|------------------------------------------------------|------------|------------------|-------|-------------------------------|-------|
| General Specifications: 400-534-1, Size ISO 14400 LP | | Copyright WABCO® | | WABCO | |
| Further Technical Data: | | Date: | | System: | |
| Doc. Code: | 2016-12-20 | Sheet: | To: | Vario Compact ABS 4S / 3M | |
| General Tolerances: 400-261 | | Drawing: | | Vario Kompakt ABS 4S / 3M | |
| Range of Nominal Dimensions L (± mm) | | 2017-02-07 | | Kaufmann | |
| Class | to ± 50 | ± 50 | ± 180 | ± 400 | ± 400 |
| Fin | 0.5 | 1.0 | 1.5 | 2.0 | ±3* |
| Medium | 1.0 | 2.0 | 3.0 | 4.0 | ±3* |
| Coarse | X 2.0 | 3.5 | 5.0 | 6.5 | ±3* |
| Tapped Holes acc. | | A 0 | | CFO | |
| Tolerance class: Appr. Dimension | | A 0 | | CFO | |
| Material No.: | | 400 500 088 0 | | Date of 1st issue: 2016-09-13 | |
| Doc. Code: | | 006 DE 1/2 | | Sheet | |

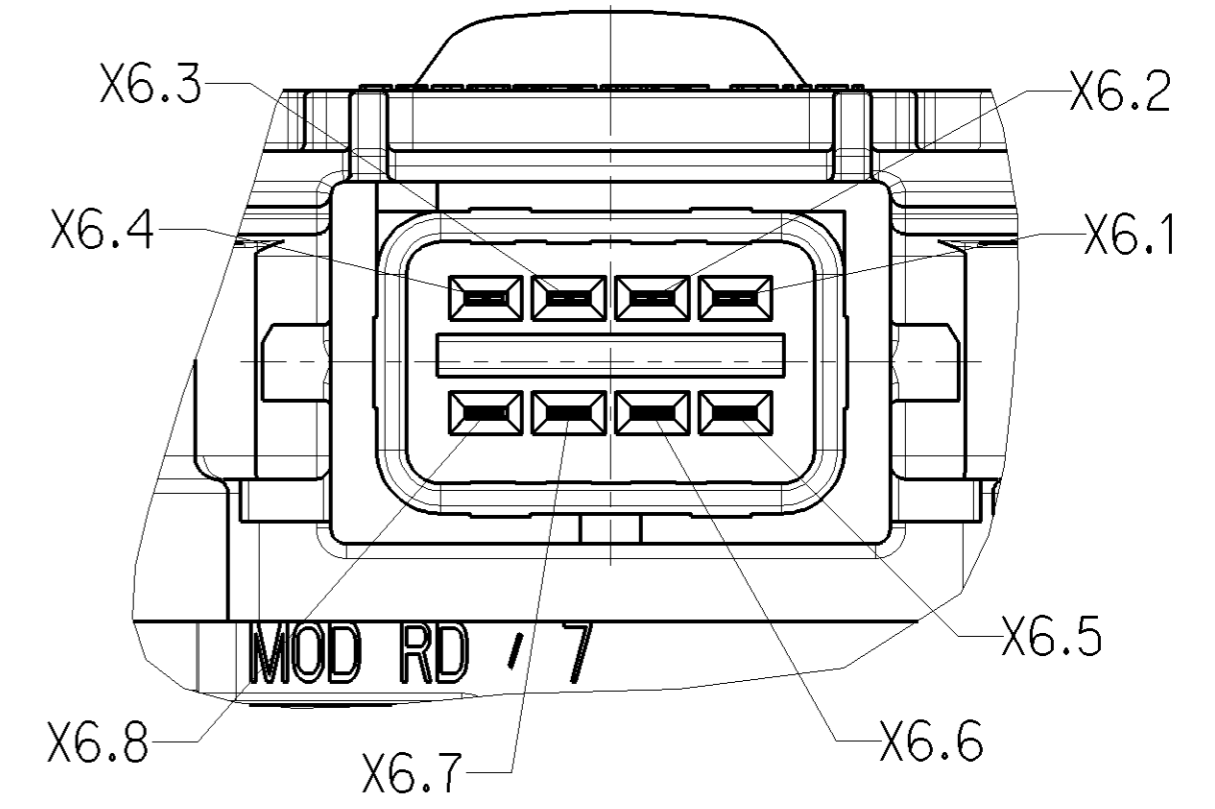
Y
2:1
TURNED BY
GEDREHT UM 90°
VIEW SHOWN WITHOUT CONNECTOR HOUSING
ANSICHT DARGESTELLT OHNE STECKERGEHAEUSE 894 110 139 2



| | | |
|------|------------------------------------------------------------|----|
| | POWER SUPPLY TERMINATION VERSORGUNGSANSCHLUSS (ELEKTR.) | X1 |
| X1.1 | DC POWER SUPPLY ECU DC SPANNUNGSVERSORGUNG ECU | |
| X1.2 | ISO 1185 (24N) | |
| X1.3 | DC POWER SUPPLY VALVES DC SPANNUNGSVERSORGUNG VENTILE | |
| X1.4 | ISO 7638 Ground | |
| X1.5 | ISO 1185 Warning Lamp | |
| X1.6 | ISO 1185 Ground | |
| X1.7 | ISO 7638 Warning Lamp | |
| X1.8 | ISO 7638 Ground | |

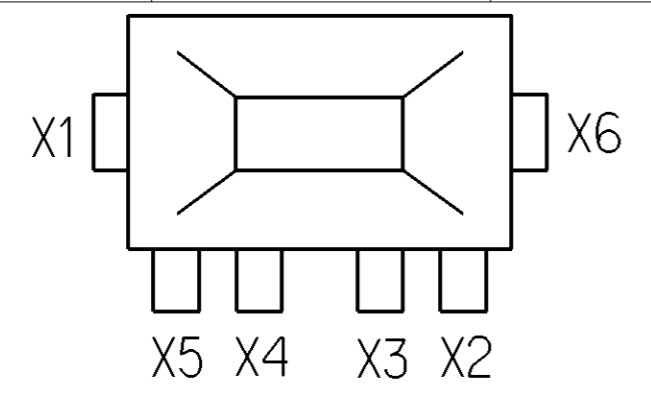
| | | |
|------|---------------------------------------------------------|----|
| | ADDITIONAL CONNECTOR ZUSATZSTECKER | X6 |
| X6.1 | GENERIC IO D1 | |
| X6.2 | GENERIC IO D2 | |
| X6.3 | GENERIC IO A1 | |
| X6.4 | DIAGNOSTIC POWER SUPPLY DIAGNOSE SPANNUNGSVERSORGUNG | |
| X6.5 | GND | |
| X6.6 | L-MODULATOR AV (DISCHARGE VALVE) (AUSLASSVENTIL) | |
| X6.7 | L-MODULATOR EV (INLET VALVE) (EINLASSVENTIL) | |
| X6.8 | DIAGNOSTIC LINE K (ISO 14230) DIAGNOSE LEITUNG K | |

Z
2:1
TURNED BY
GEDREHT UM 90°
VIEW SHOWN WITHOUT ELECTRICAL ASSEMBLY
ANSICHT DARGESTELLT OHNE ELEKTRISCHE BAUGRUPPE 894 607 380 2



| PORT ANSCHLUSS | FUNCTION FUNKTION |
|-------------------|---------------------------------------------------------------------------------------------------------------------------|
| 1 | SUPPLY OF ENERGY, ENERGIEZUFUSS VOM VORRAT |
| 2.1 2.2 | DELIVERY OF ENERGY, ENERGIEABFLUSS |
| 2.1 2.2 | |
| 2.1 2.2 | |
| 3 | EXHAUST PORT, ANSCHLUSS ATMOSPHAERE |
| 4 | CONTROL PORT, STEUERANSCHLUSS |
| X2 | PIN ASSIGNMENT ACCORDING TO INSTALLATION INSTRUCTION: 841 801 933 0_411 ANSCHLUSSBELEGUNG NACH INSTALATIONSVORSCHRIFT: |
| X3 | |
| X4 | |
| X5 | |

WHEEL SPEED SENSORS
RADDREHZAHL-SENSOREN



| | | | | | |
|-----------------------------------------------------|------------|------------------|-------------|--------------------------------------------------------|----------|
| General Specification: JED-334-1, Size ISO 14405 LP | | Copyright WABCO® | | WABCO | |
| Further Technical Data: | | Date | Signature | Vario Compact ABS 4S / 3M Vario Kompakt ABS 4S / 3M | |
| Doc. Code | Sheet | To | Drawn | | |
| General Tolerances JED-261 | | 2016-12-20 | Nerling | | |
| Range of Nominal Dimensions (± mm) | | 2017-02-07 | Kaufmann | | |
| Class | 1) ≤ 50 | > 50 ≤ 180 | > 180 ≤ 400 | > 400 | ±3° |
| Fine | 0.5 | 1.0 | 1.5 | 2.0 | |
| Medium | 1.0 | 2.0 | 3.0 | 4.0 | |
| Coarse | X 2.0 | 3.5 | 5.0 | 6.5 | |
| Tapped Holes acc. | | Luechow | | | |
| Mass | Scale | Material No. | | Date of first issue: 2013-09-13 | |
| 2.297 | 2:1 | 400 500 088 0 | | Doc. Code | Language |
| Size | CAD System | ECN-No. | | Techn. Resp. | Sheet |
| A 2 | CREO | 159765 | | 1x | C 6290 |
| 1) Tolerance Class Applied Crossmarked | | Revision | | Replacement for | |

Non e permesso copiare, o terzi o riprodurre questo documento, ne utilizzare il contenuto o renderlo comunque noto o terzi senza autorizzazione esplicita. Ogni infrazione costituisce un evidente abuso e comportera il risarcimento dei danni subiti. E' fatta riserva di tutti i diritti derivanti da brevetti o modelli.
 Coping of this document and giving it to others and the use or communication of the contents thereof, are forbidden without express authority. Contravention of this restriction will constitute an evident abuse and result in a liability to the payment of damages. All rights are reserved in the event of the grant of patent or registration of a utility model or design. This document is the subject of copyright.
 Toute communication ou reproduction de ce document, toute exploitation ou communication de son contenu sont interdites, sauf autorisation expresse. Tout manquement a cette regle constitue un abus evident et expose son auteur au versement de dommages et interets. Tous droits de proprieete industrielle reserves, notamment en matiere de brevets et de modeles.
 Weitergabe sowie Vervielfaeltigung dieser Unterlagen, Verleihen und Mitteilen ihres Inhalts nicht gestattet, soweit nicht ausdru cklich ansonstern. Zuwiderhandlungen stellen einen offensichtlichen Missbrauch dar und verpflichten zu Schadenersatz. Alle Rechte fuer den Fall der Patenterteilung oder Gebrauchsmuster-Eintragung vorbehalten.