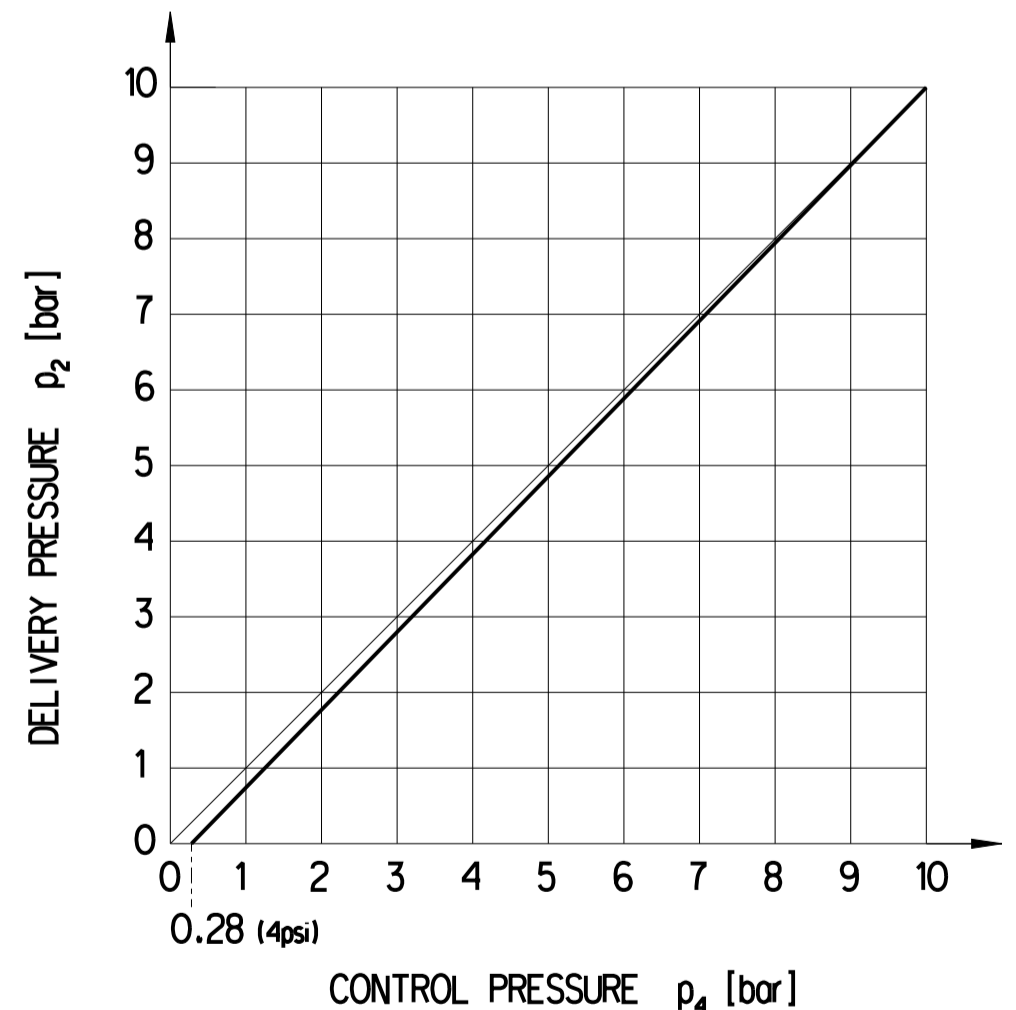


- WORKING MEDIUM } AIR (CONTAINING WATER, OIL AND ALCOHOL)
- WORKING PRESSURE } 10 BAR
- MAX. PERMISSIBLE WORKING PRESSURE } 11 BAR
- MAX. PERMISSIBLE WORKING PRESSURE (SUPPLY) } 13 BAR
- VOLTAGE } 12^{±3v} V DC
- DEGREE OF PROTECTION ACCORDING TO IEC 60 529 } COMPLETE DEVICE WITH MOUNTED PLUG } IP66
- MAX. DEVIATION OF THE DEVICE FROM THE VERTICAL } ±15°
- THERMAL RANGE OF APPLICATION } -40°C +65°C
-40°F +149°F
- SHORT TERM RESISTANCE TO HEAT } 110°C (1h)
230°F (1h)
- FURTHER TECHNICAL DATA SEE PRODUCT SPECIFICATION, DOCUMENT NO. } 400 500 110 0 CODE 035
400 500 100 0 CODE 035
- INSTALLATION INSTRUCTION FOR CABLES } 449 000 000 0 CODE 611



- 1 SUPPLY OF ENERGY
- 2 DELIVERY OF ENERGY
- 3 EXHAUST
- 4 CONTROL

IDENTIFICATION	MAX. SYSTEM
400 500 101 R	2S/1M MSH
400 500 104 R	2S/1M MAR

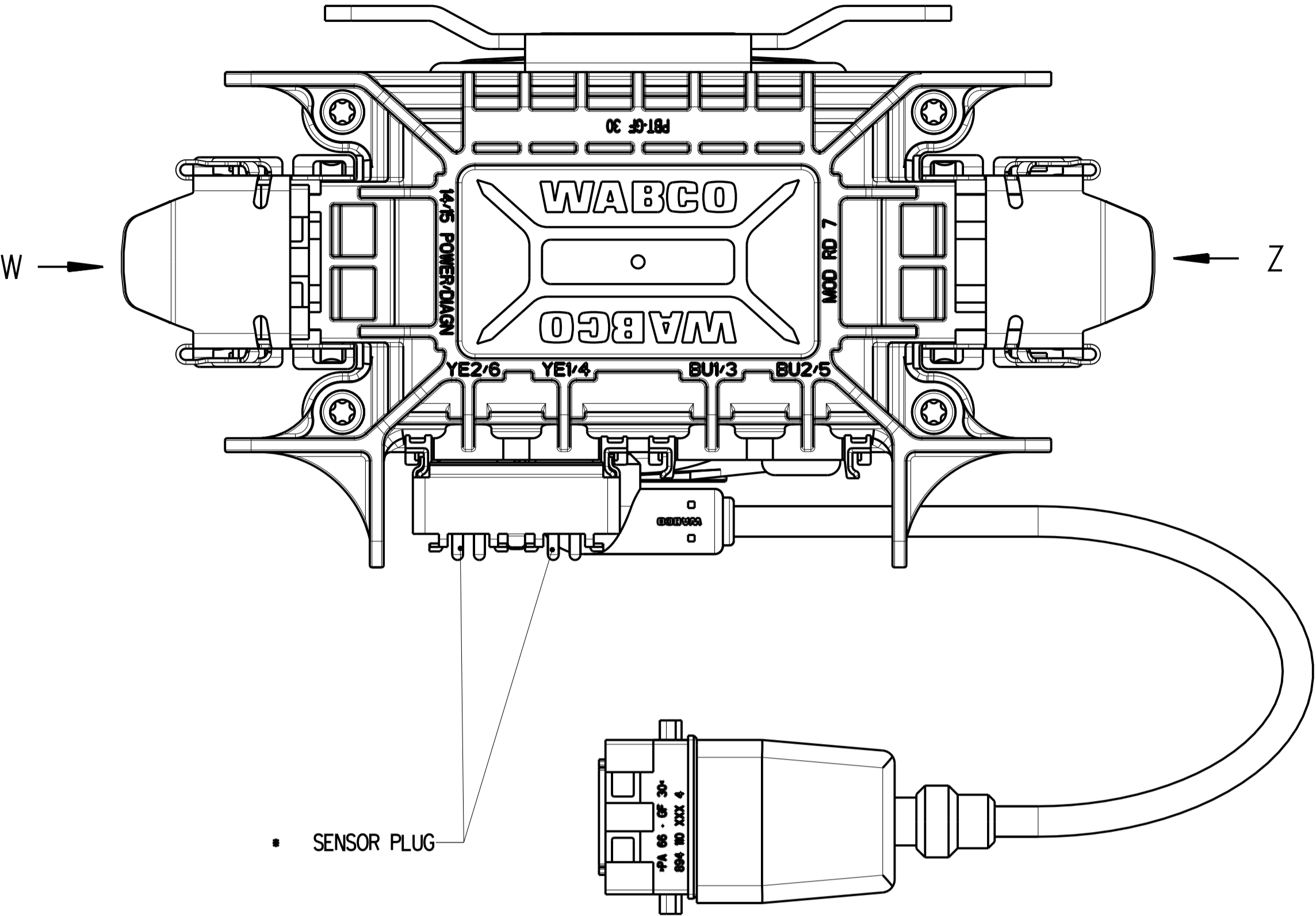
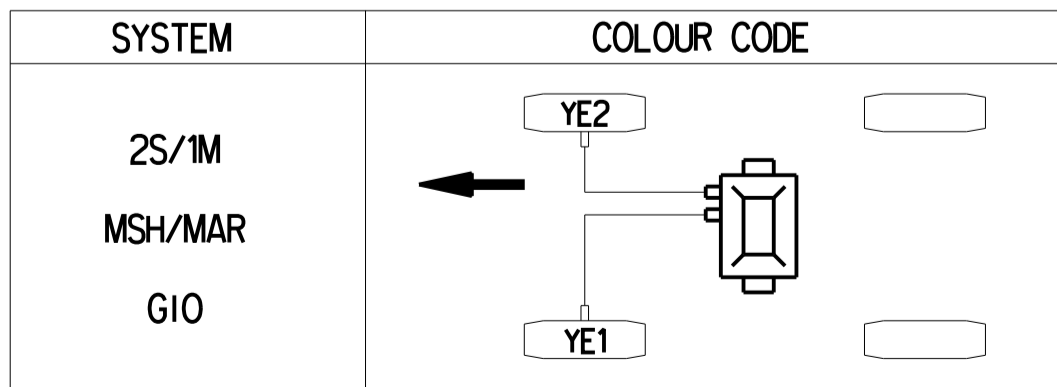
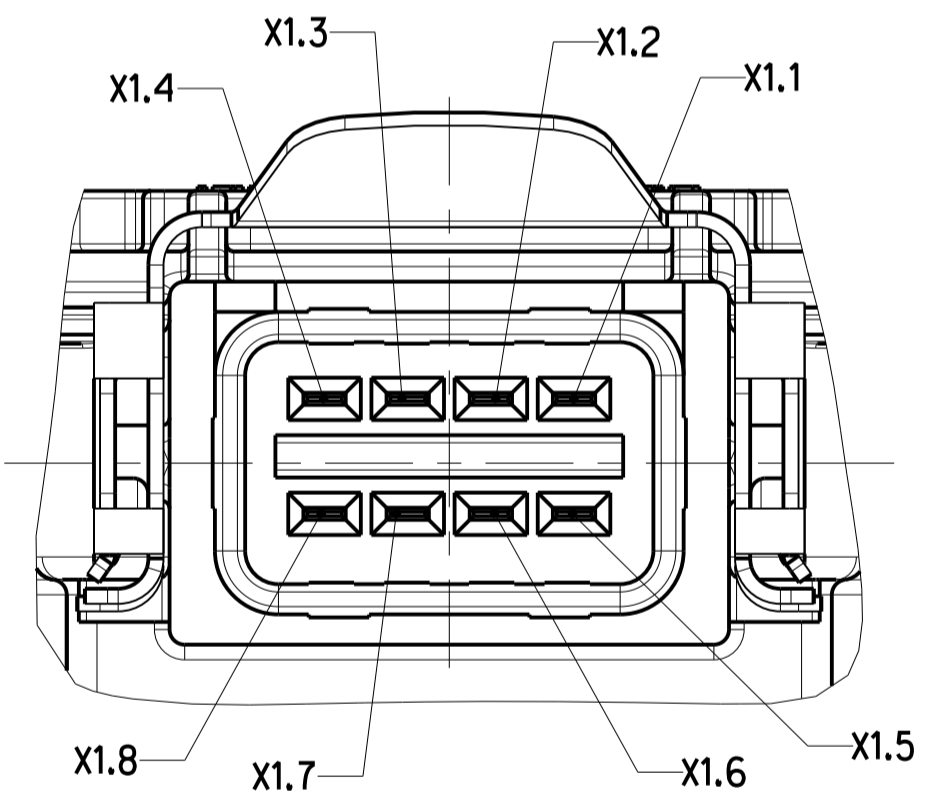
General Specifications: JED-334-1 - Size ISO 14405 LP		Copyright WABCO®	
Further Technical Data:		Date	Signature
Doc. Code:	Sheet: To	2018-09-10	SUTTON
General Tolerances JED-261		Checked	CARPENTER
Range of Nominal Dimensions (± mm)		Expert	
Class	1) ≤ 50 > 50 > 180 > 180 > 400 > 400	Mass	Scale
Fine	0.5 1.0 1.5 2.0	2.1 kg	1:1
Medium	1.0 2.0 3.0 4.0	Size	1:2
Coarse	X 2.0 3.5 5.0 6.5	CAD System	
Tapped Holes acc. JED-152		Material No.	Date of first issue
1) Tolerance Class Applied Crossmarked		400 500 115 0	053 EN 1/2
		ECN-No.	Revision
		2023.MW	Techn. Resp.
		Replacement for	

Toute communication de reproduction de ce document, toute exploitation ou communication de son contenu sans autorisation, sans...
 Toute comunicazione di riproduzione di questo documento, qualsiasi utilizzo o comunicazione del suo contenuto senza permesso...
 Toute communication de reproduction de ce document, toute exploitation ou communication de son contenu sans autorisation, sans...
 Toute comunicazione di riproduzione di questo documento, qualsiasi utilizzo o comunicazione del suo contenuto senza permesso...

Toute communication de reproduction de ce document, toute exploitation ou communication de son contenu sans autorisation, sans l'approbation écrite de WABCO, est formellement interdite. Toute réimpression, même partielle, est formellement interdite. Toute utilisation non autorisée de ce document est formellement interdite. Toute utilisation non autorisée de ce document est formellement interdite. Toute utilisation non autorisée de ce document est formellement interdite.

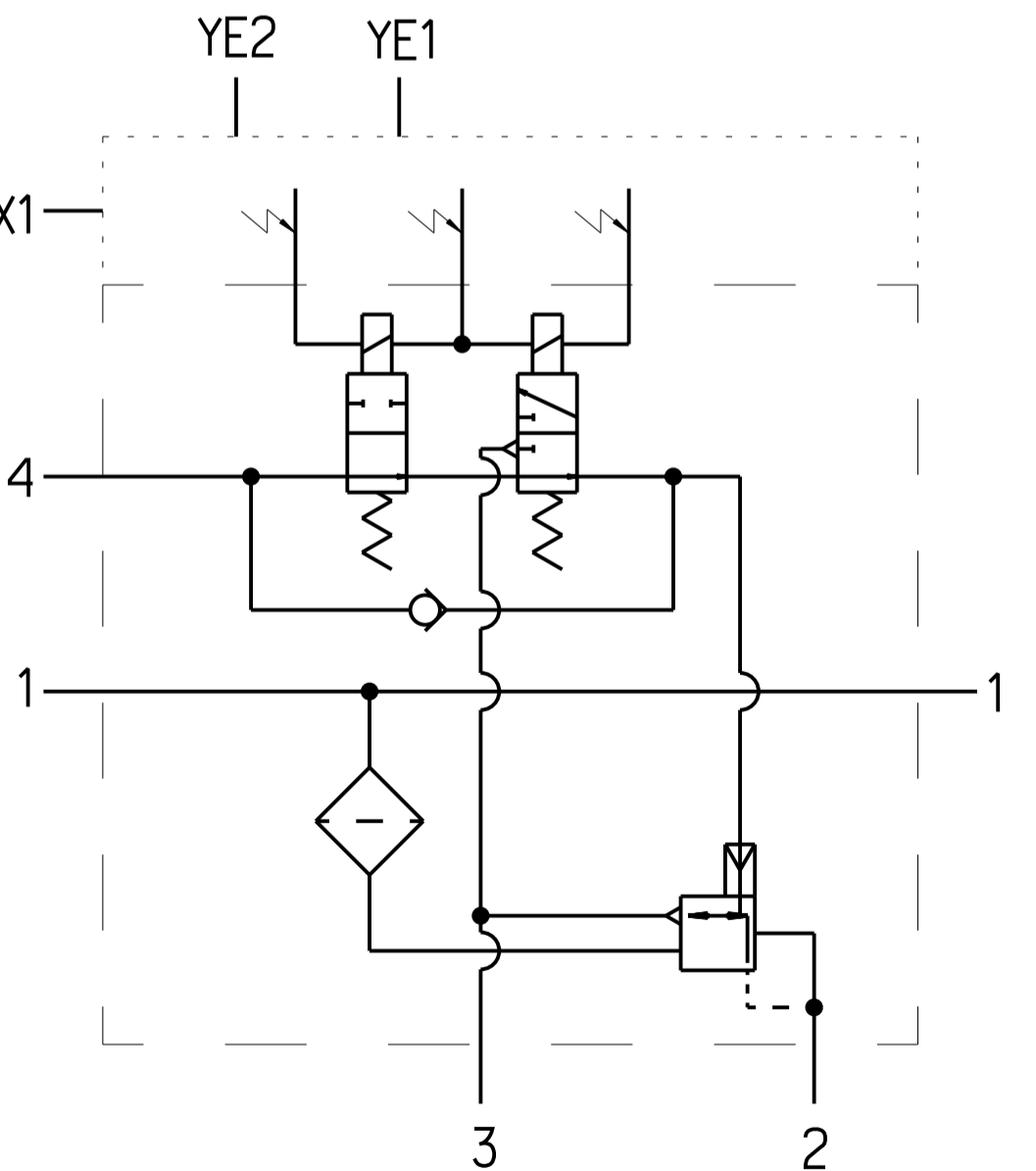
POWER SUPPLY CONNECTOR	
X1.1	WARNING LAMP (FRAME GROUNDED)
X1.2	SECONDARY POWER (STOPLIGHT)
X1.3	PRIMARY POWER (PERMANENT)
X1.4	GROUND
X1.5	GENERIC IO D1
X1.6	POWER OUTPUT (DIAGNOSTIC TOOL)
X1.7	DIAGNOSTIC LINE SAE J 1708 B
X1.8	DIAGNOSTIC LINE SAE K 1708 A

W
2:1
TURNED BY 90°
VIEW SHOWN WITHOUT CONNECTOR HOUSING



• SENSOR PLUG

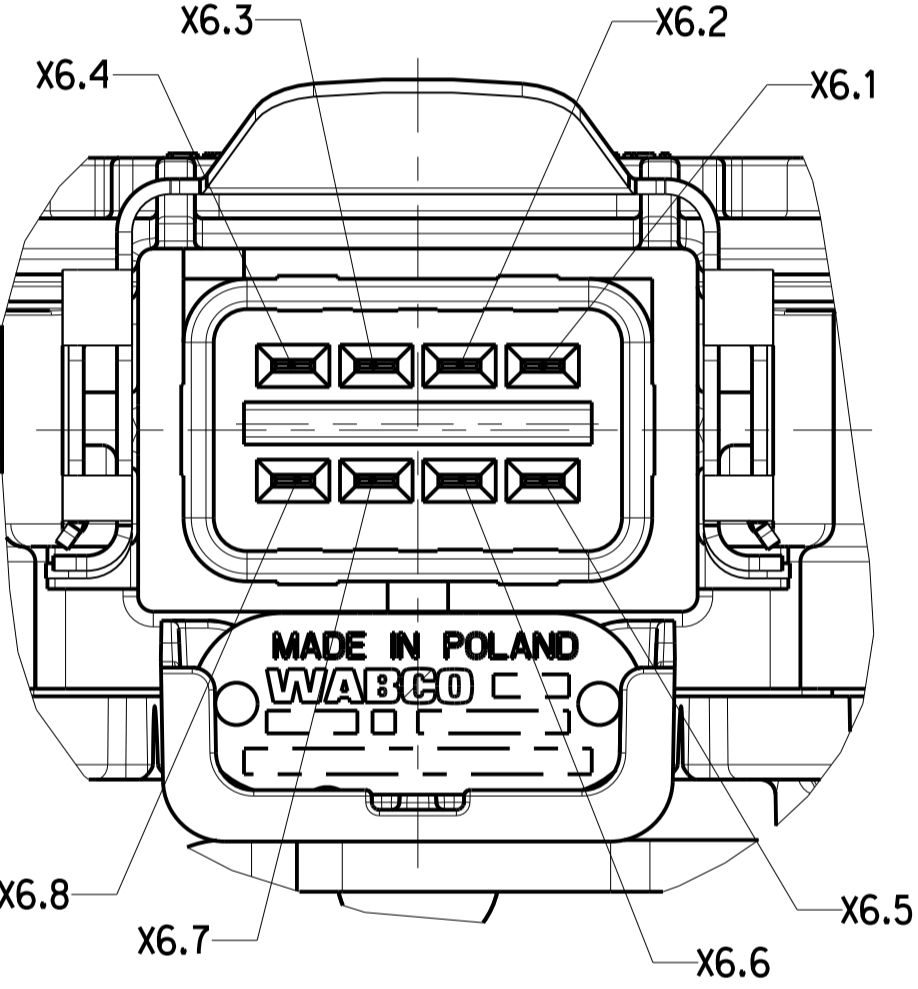
• USE ONLY THE LINES INCL. THE COUPLINGS DELIVERED BY WABCO AND/OR RELEASED BY WABCO



- 1 SUPPLY OF ENERGY
- 2 DELIVERY OF ENERGY
- 3 EXHAUST
- 4 CONTROL

ADDITIONAL CONNECTOR X6	
X6.1	GENERIC IO D2
X6.2	GENERIC IO A1
X6.3	GENERIC IO A2
X6.4	SENSOR SUPPLY 5V / 12V
X6.5	GROUND
X6.6	L-MODULATOR AV
X6.7	L-MODULATOR EV
X6.8	GENERIC IO D3

Z
2:1
TURNED BY 90°
VIEW SHOWN WITHOUT CONNECTOR HOUSING



General Specifications: JED-334-1 - Size ISO 14405 LP		Copyright WABCO®	
Further Technical Data:		Date	Signature
Doc. Code:	Sheet: To	2018-09-10	Sullon
General Tolerances JED-261		Checked	
Range of Nominal Dimensions (± mm)		2018/09/10 CARPENTER	
		Expert	
Class 1)	≤ 50 > 50 > 180 > 400	Mass	Scale
Fine	0,5 1,0 1,5 2,0	2,1 kg	1:1
Medium	1,0 2,0 3,0 4,0	Size	2:1
Coarse	2,0 3,5 5,0 6,5	Size	CAD System
Tapped Holes acc. JED-152		Material No.	
1) Tolerance Class Applied Crossmarked		400 500 110 0	
		ECN-No.	Revision
			2023.MW
		Date of first issue:	Doc. Code Language Sheet
			053 EN 2/2
		Replacement for	