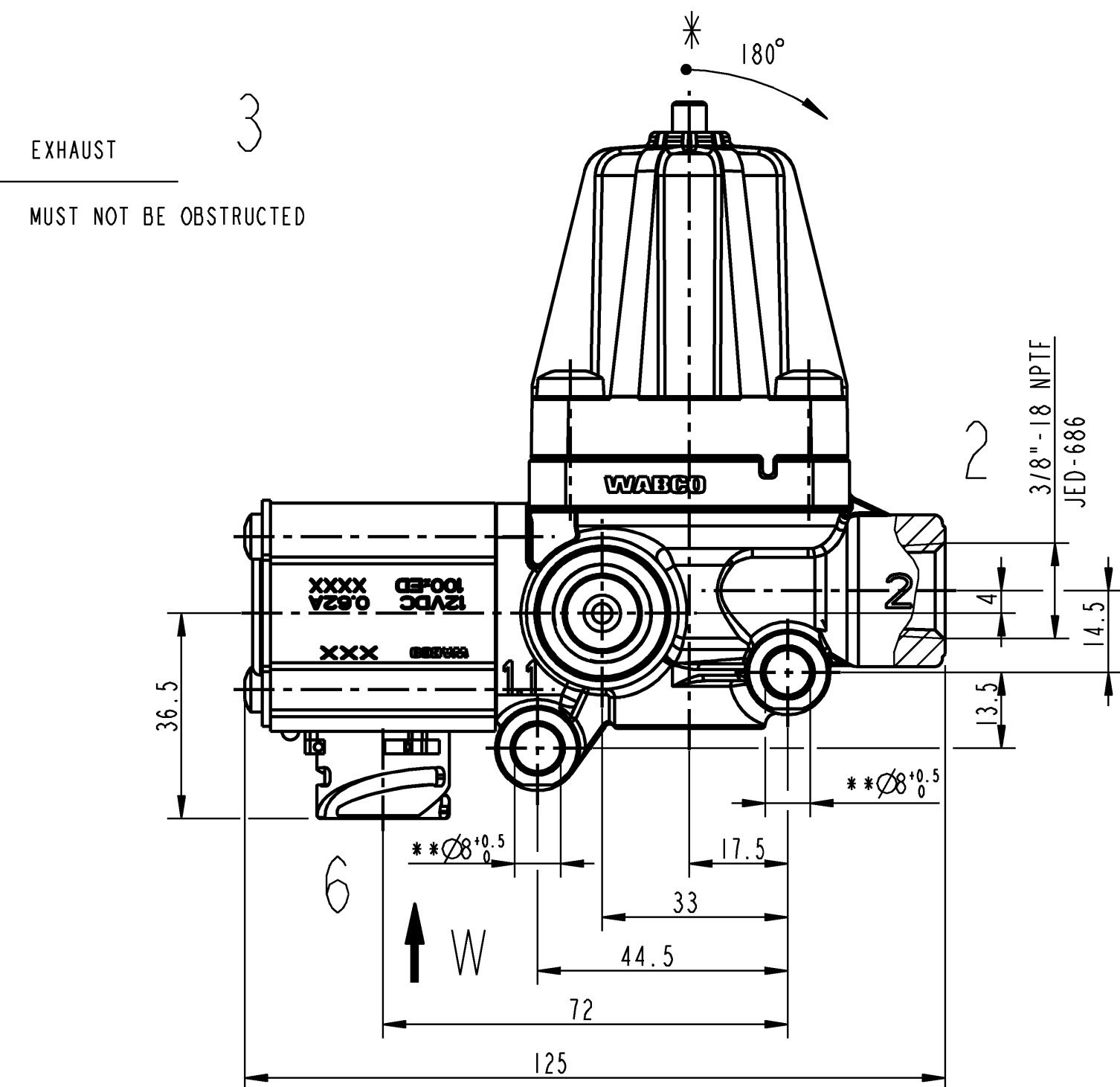
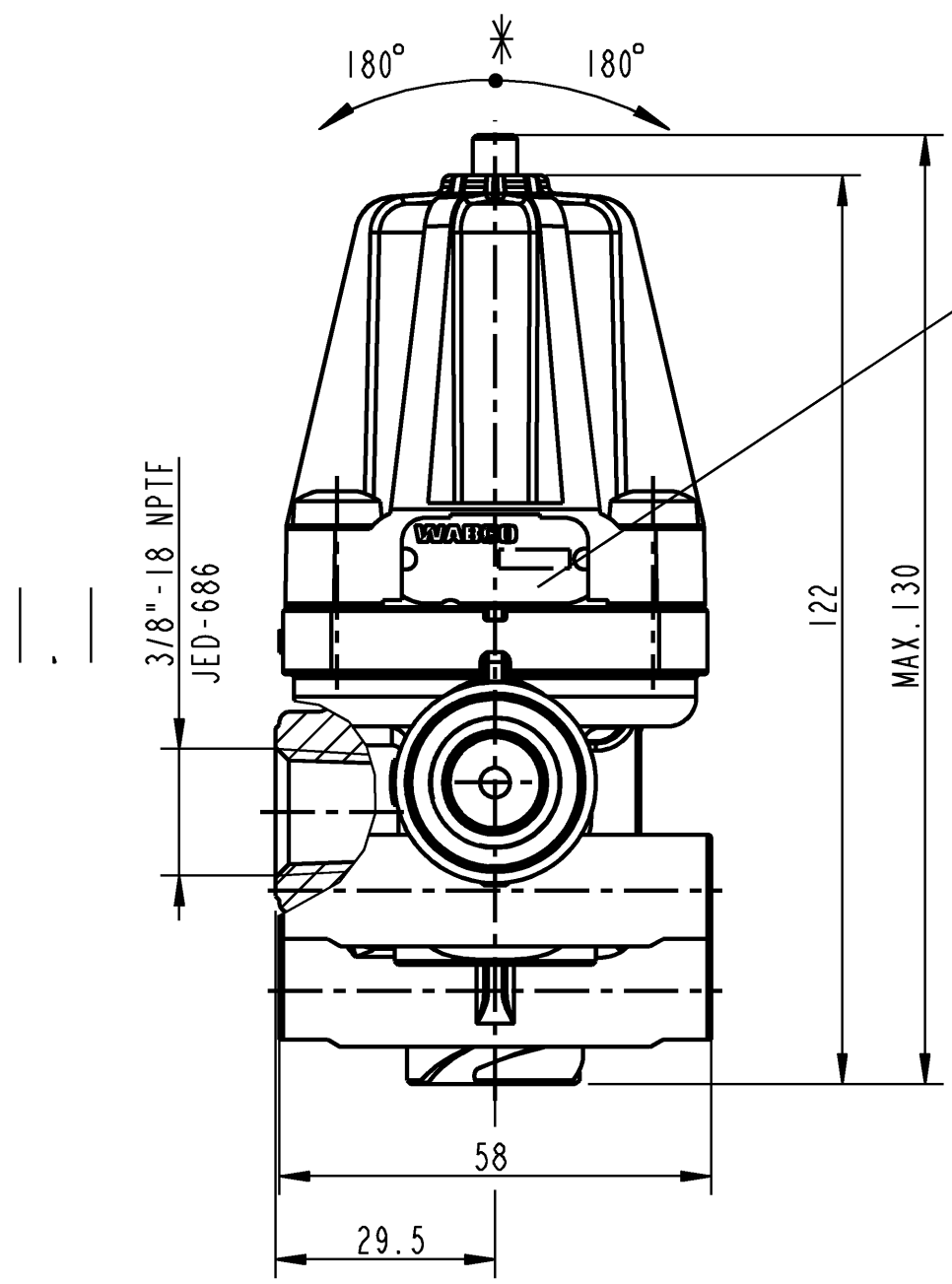
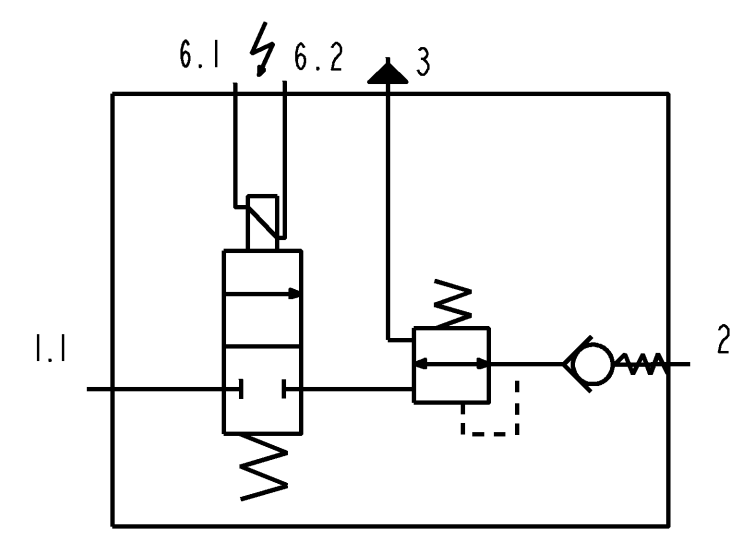
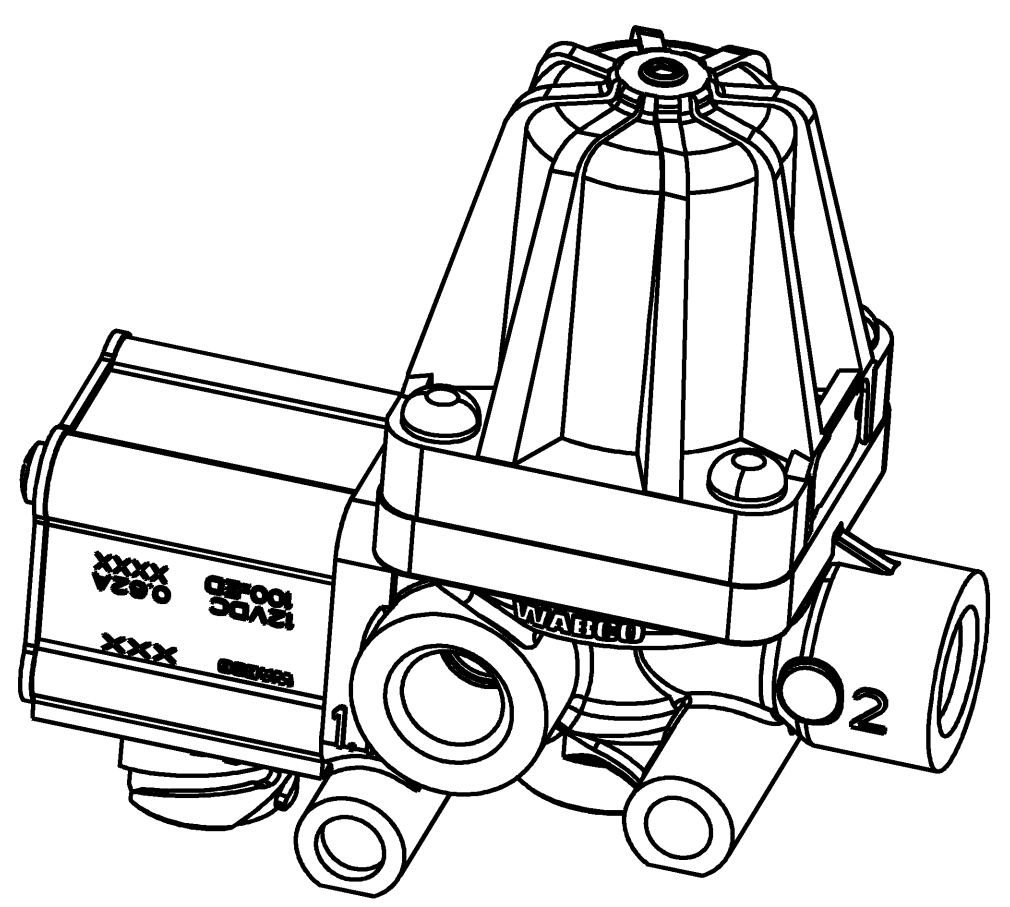
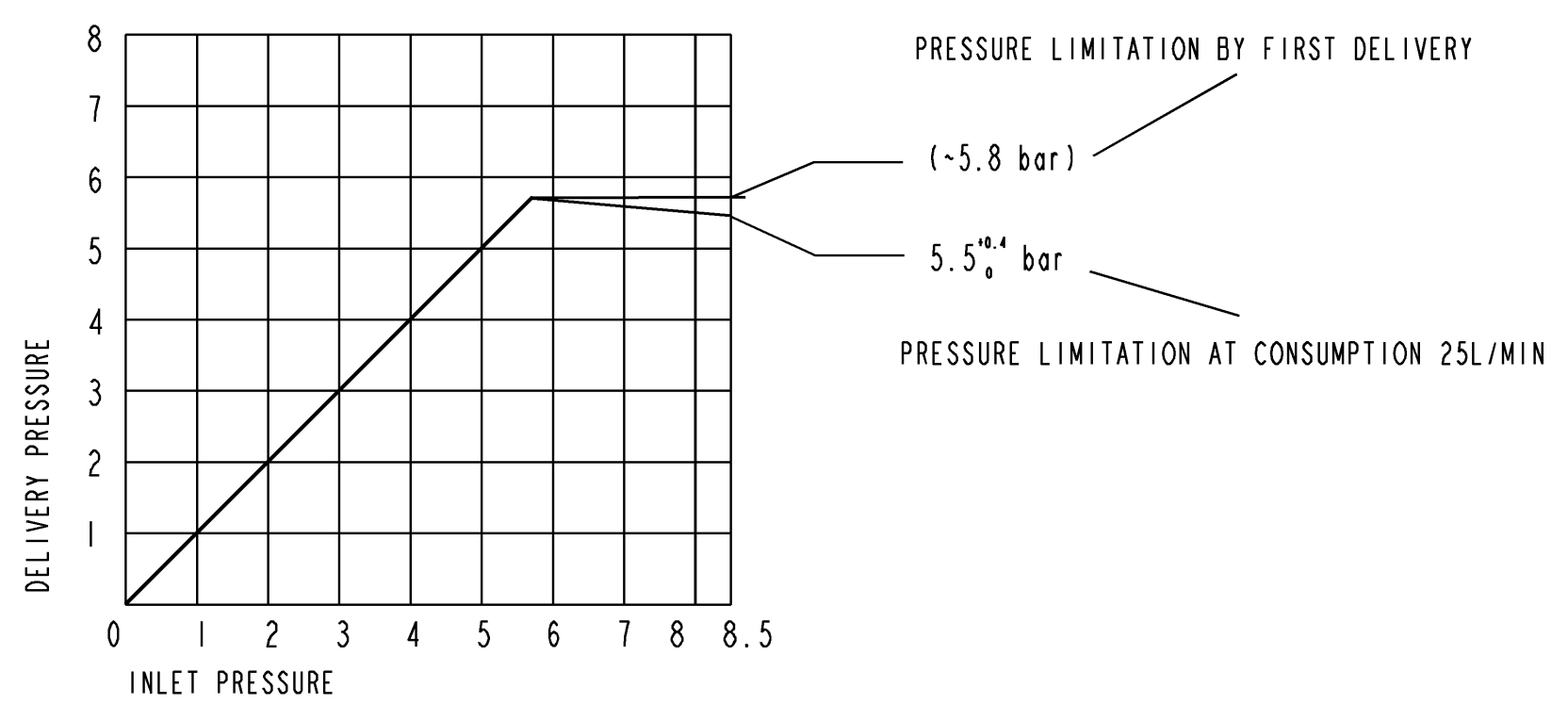
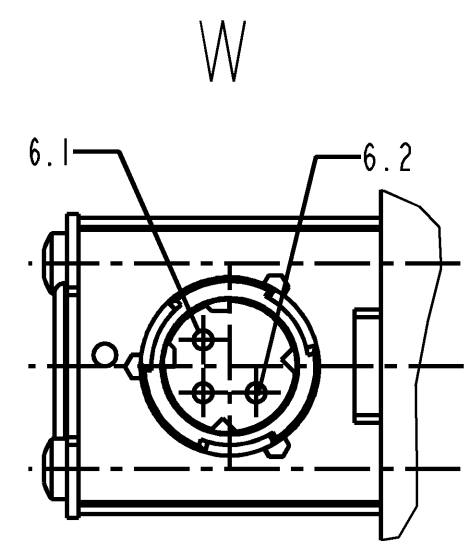


COPYING OF THIS DOCUMENT AND GIVING IT TO OTHERS AND THE USE OR COMMUNICATION OF THE CONTENTS THEREOF,
 WITHOUT THE WRITTEN PERMISSION OF MERITOR WABCO, IS PROHIBITED. ALL RIGHTS ARE RESERVED IN THE EVENT OF THE
 ABUSE AND RESULT IN A LIABILITY TO THE PAYMENT OF DAMAGES. ALL RIGHTS ARE RESERVED IN THE EVENT OF THE
 GRANT OF PATENT OR REGISTRATION OF A UTILITY MODEL OR DESIGN. THIS DOCUMENT IS THE SUBJECT OF COPYRIGHT.



- 1.1 INLET PRESSURE: 130 PSI (9 bar)
- 2 OUTLET PRESSURE: 80^{±0.4} PSI (5.5^{±0.4} bar) at 25L/MIN
MAX FLOW RATE 25L/MIN
- 6 ELECTRICAL CONTROL: DIN 72 585-A1-3.6-Sn/K2
- NOMINAL DIAMETER: Ø1 mm
- VOLTAGE: 12 ±3 V DC
- DUTY CYCLE: 100% ED
- THERMAL RANGE OF APPLICATION: -40° . . . +80°C
- WORKING PRESSURE: 145 PSI 10 bar Max

* INSTALLATION POSITION
 ** TORQUE FOR MOUNTING SCREWS: 15 ±2 Nm



General Specification: JED-334-0		SOLID MODEL DRAWING METRIC IN MM		MERITOR WABCO	
Further Technical Data:		DATE: 09/12/14 SIGNATURE: SUTTON			
Doc. Code: Sheet: To		DRAWN: 09/12/14		AIR CONTROL UNIT	
General Tolerances JED-261		CHECKED: 09/15/14 BIANCULLI			
Range of Nominal Dimensions (± mm)		RELEASE DATE: 09/15/14			
Class	1) ≤50	> 50 ≤180	>180 ≤400	>400	±3°
Fine	0.5	1.0	1.5	2.0	
Medium	X 1.0	2.0	3.0	4.0	
Coarse	2.0	3.5	5.0	6.5	
Tapped Holes acc. JED 686		MASS SCALE		PRODUCT IDENTIFICATION NO.	
1) Tolerance Class Applied Crossmarked		kg 1.0		400 850 430 0	
DCN-NO. REV. DATE		SIZE CAD SYSTEM		PROJ. NO. 30766	
		A 2 CREO		REPLACEMENT FOR	
				BU GROUP CB	
				DOC CODE 005	
				SHEET 1/1	

100mm