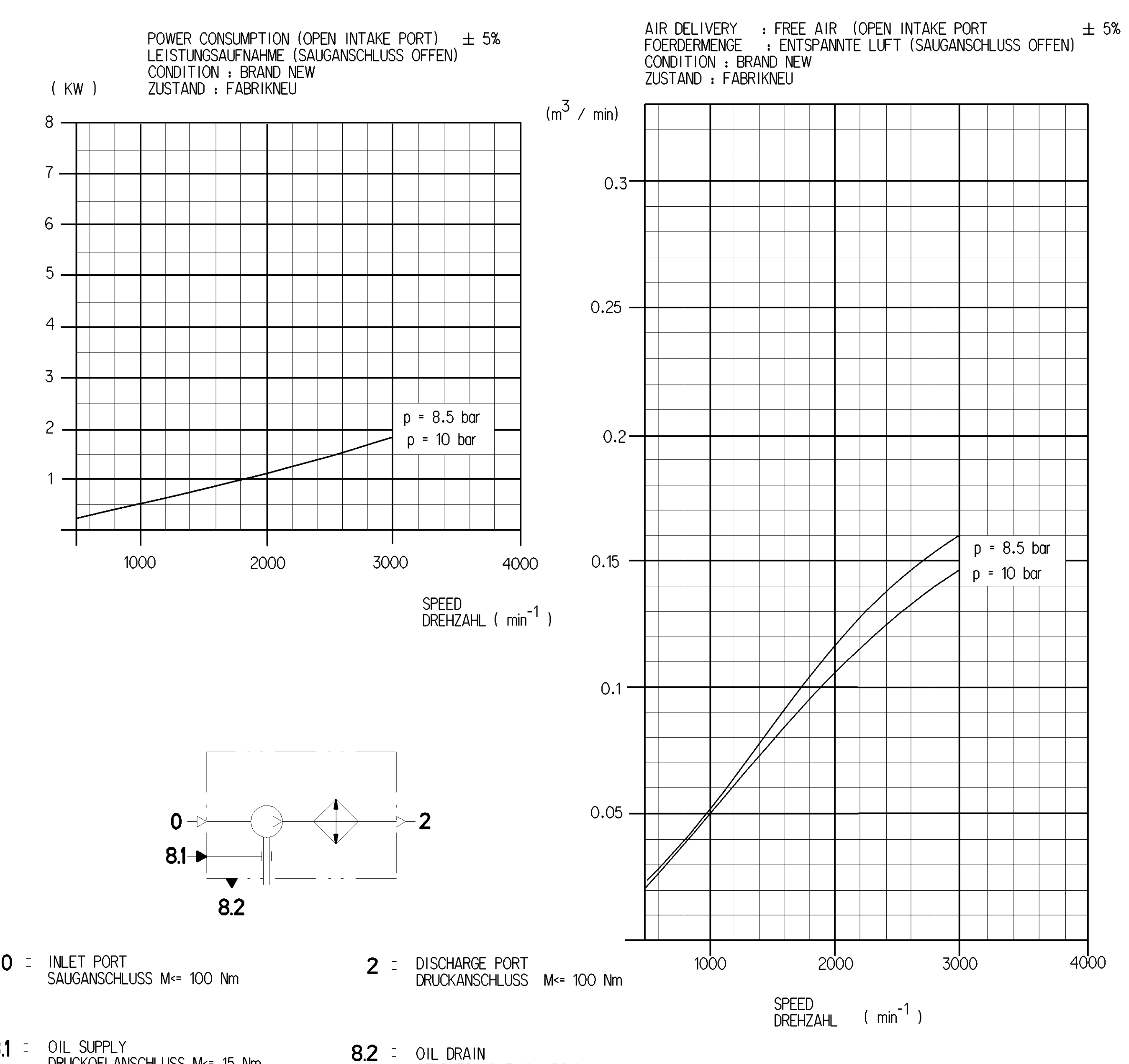
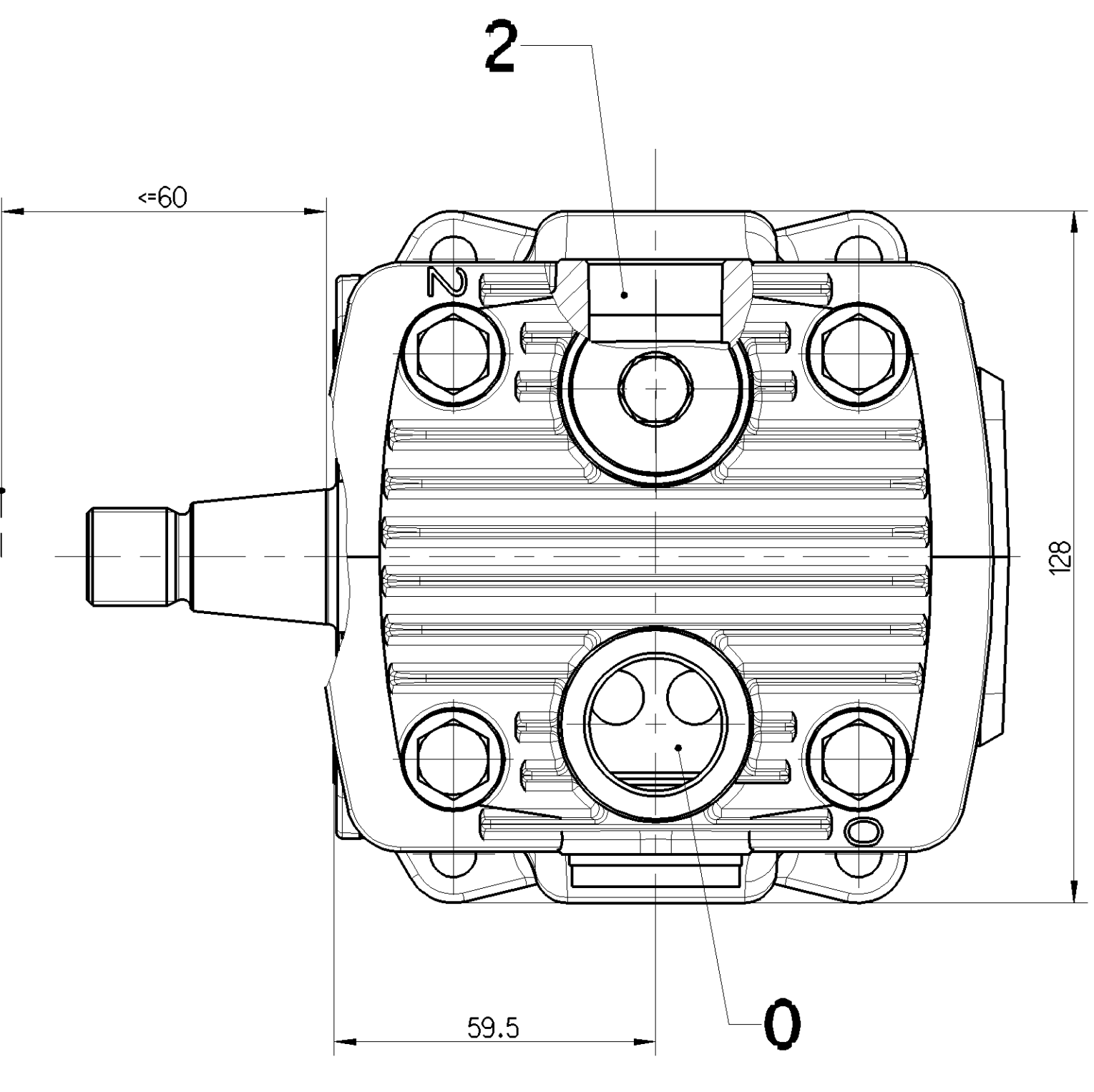
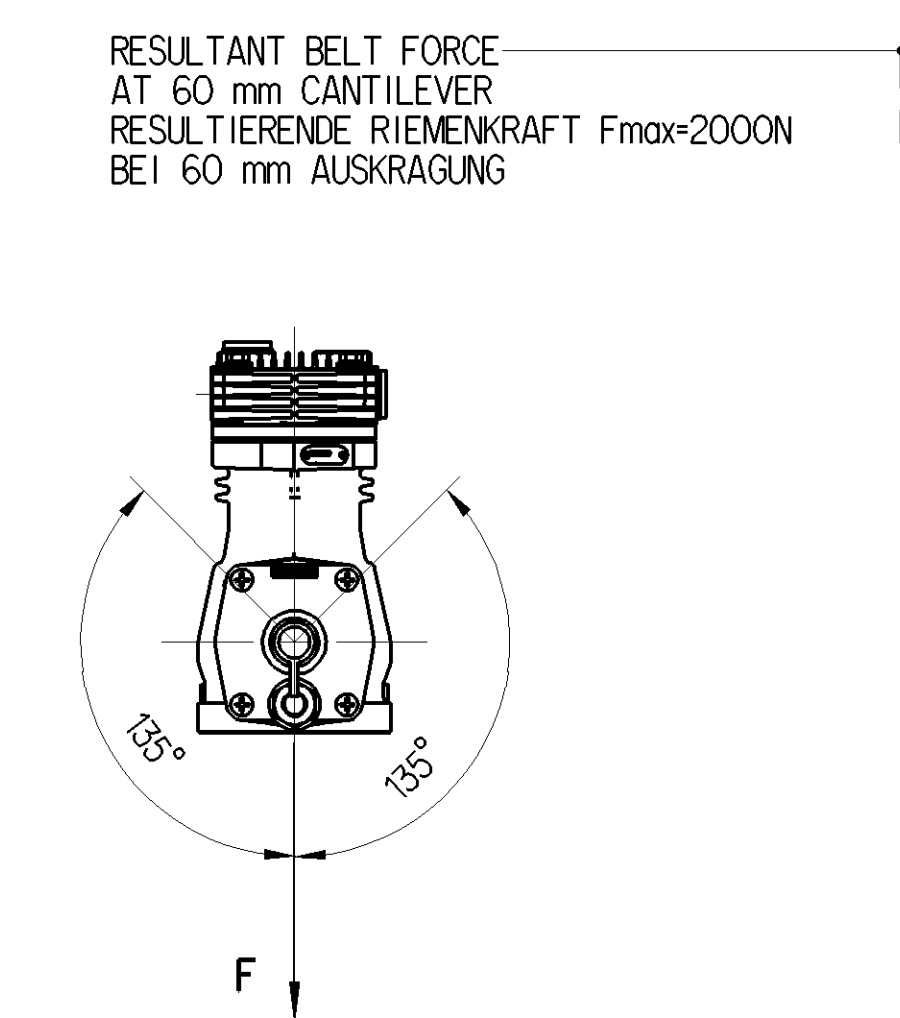
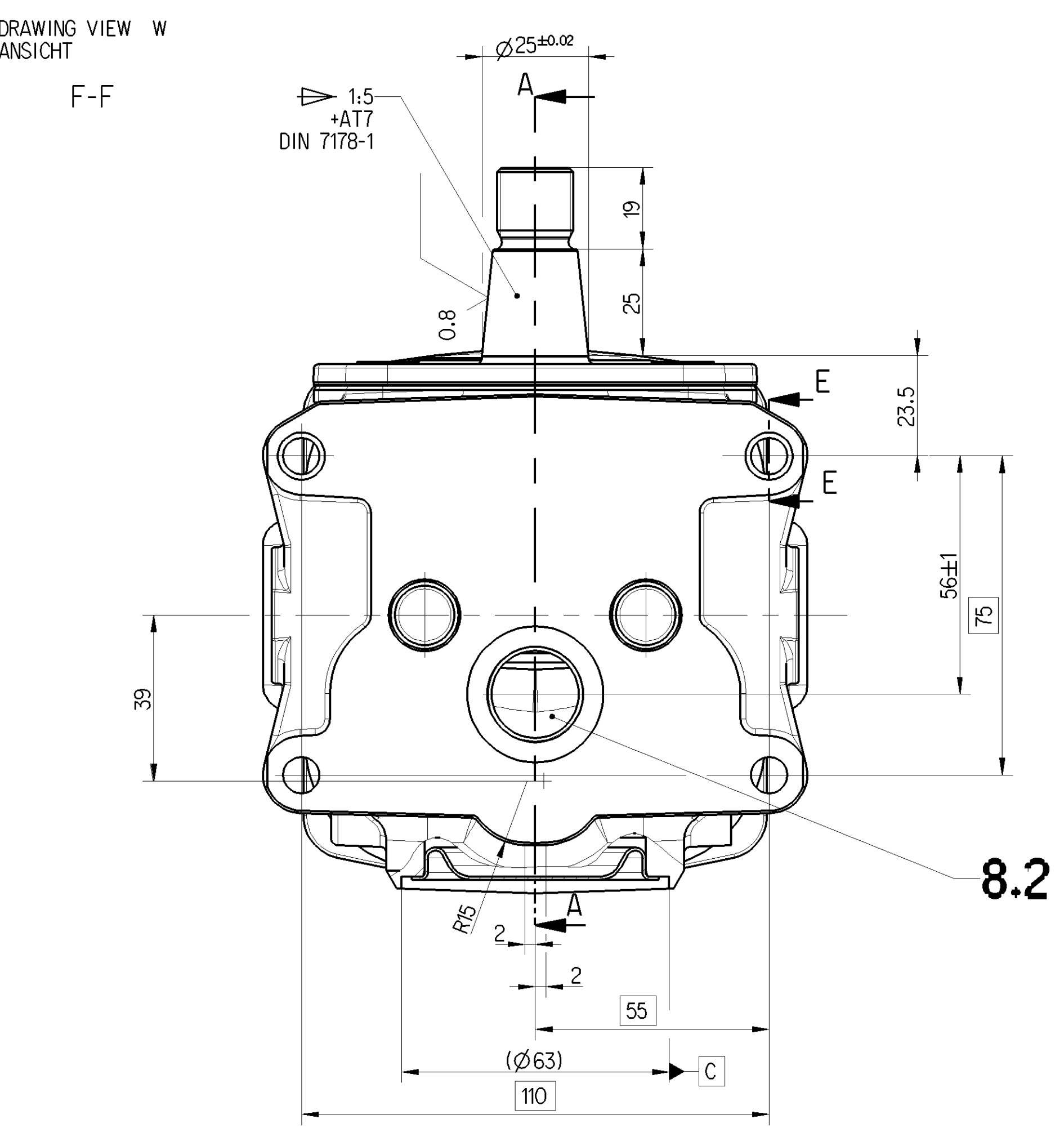
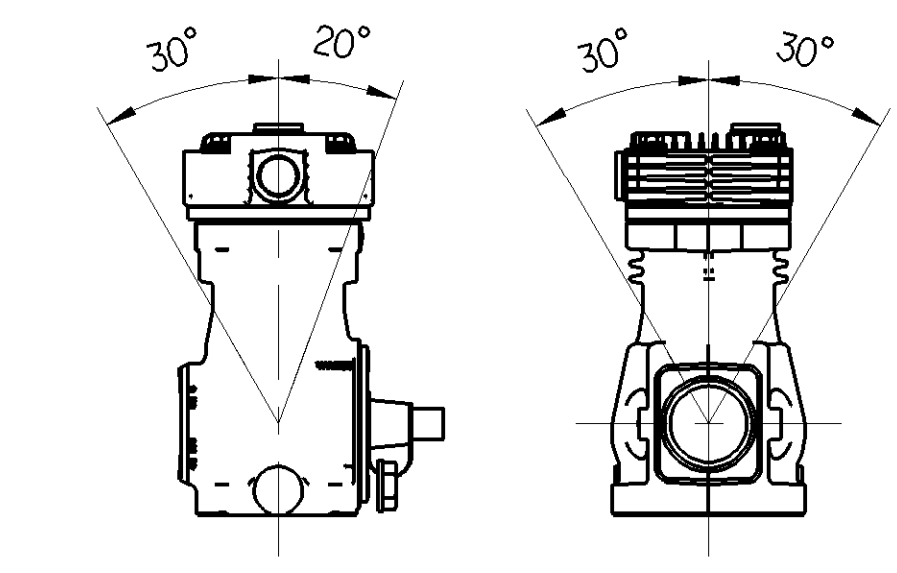


BORE: BOHRUNG: Ø75 mm  
 STROKE: HUB: 24 mm  
 SWEPT VOLUME: HUBRAUM: 106 ccm  
 MAX. WORKING SPEED: MAX. BETRIEBSDREHZAHL:  $n_{max} = 3000 \text{ min}^{-1}$   
 OVERSPEED (TEMPORARY MAX. 4 SEC.): UEBERDREHZAHL (KURZZEITIG MAX. 4 SEC.):  $n_{ue} = 1.3 n_{max}$   
 MAX. WORKING PRESSURE: MAX. BETRIEBSDRUCK:  $p = 10 \text{ bar}$   
 SHORT TERM MAX. PRESSURE AT DISCHARGE PORT (TEMPORARILY  $\leq 4 \text{ SEC.}$ ): KURZZEITIGER HOECHSTDRUCK AM DRUCKSTUTZEN (KURZZEITIG  $\leq 4 \text{ SEC.}$ ):  $p = 12 \text{ bar}$   
 REQUIRED COOLING AIR SPEED: ERFORDERLICHE KUEHLLUFTGESCHWINDIGKEIT:  $\leq 8 \text{ bar } 4 \text{ m/s}$   
 $> 8 \text{ bar } 6 \text{ m/s}$   
 END PLAY OF CRANKSHAFT: AXIALSPIEL DER KURBELWELLE: 0.2...0.6 mm  
 MAX. PERMISSIBLE TILT DURING CONTINUOUS WORKING: MAX. ZULAESSIGE NEIGUNG IM DAUERBETRIEB:  $30^\circ$   
 LUBRICATION: LUBRICATION SUPPLIED FROM ENGINE SCHMIERART: UMLAUFSCMIERUNG MIT DRUCKOELANSCHLUSS



- 0 = INLET PORT SAUGANSCHLUSS  $M=100 \text{ Nm}$
- 2 = DISCHARGE PORT DRUCKANSCHLUSS  $M=100 \text{ Nm}$
- 8.1 = OIL SUPPLY DRUCKOELANSCHLUSS  $M=15 \text{ Nm}$
- 8.2 = OIL DRAIN OELRUECKLAUF  $M=60 \text{ Nm}$

PORTS PROTECTED ANSCHLUESSE GESCHUETZT

(...) AUXILIARY DIMENSION HILFSSMASS

General Specifications JED-334-0		Copyright WABCO®		<b>WABCO</b>	
Further Technical Data: 411 140 000 0		Date: 2015-08-11		Sheet: 1 To 5	
Doc. Code: 035		Drawn: Albrecht		Checked: Janyar	
General Tolerances: ISO 201		Date of first issue: 2015-08-11		Date of issue: 2015-08-11	
Range of Nominal Dimensions (± mm)		Scale: 1:1		Material No.: 411 140 000 0	
Class	to ± 50	to ± 180	to ± 400	to ± 1000	to ± 4000
Finer	0.5	1.0	1.5	2.0	3.0
Medium	1.0	2.0	3.0	4.0	5.0
Coarser	2.0	3.5	5.0	6.5	10.0
Tapped Holes acc. to ISO 226		Surface finish: Rmax 25		Part number: 005 DE 1/1	
Tolerances class: Applet Dimensioned		Revision: 167640		Drawing No.: 411400000 of 04-02-25	