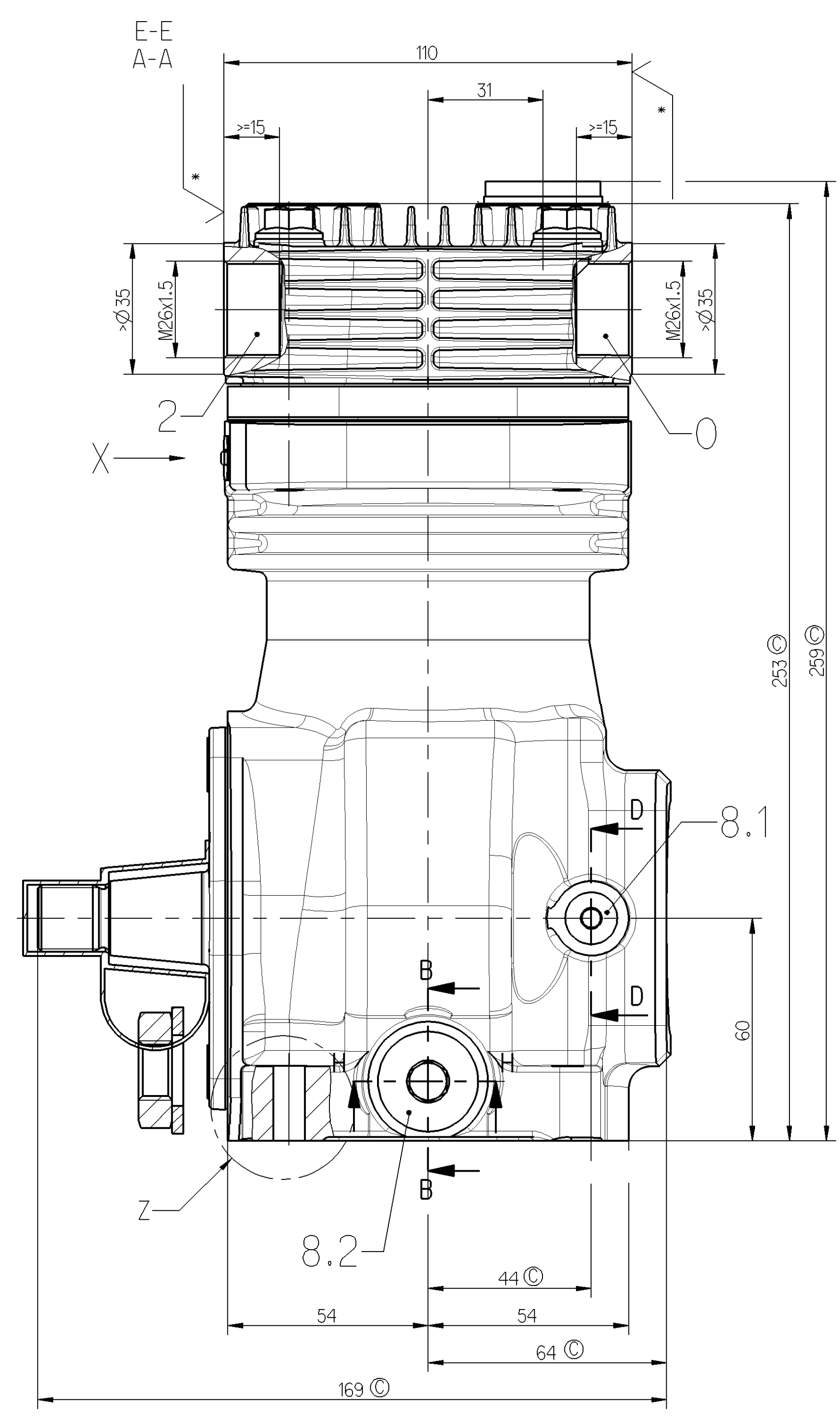
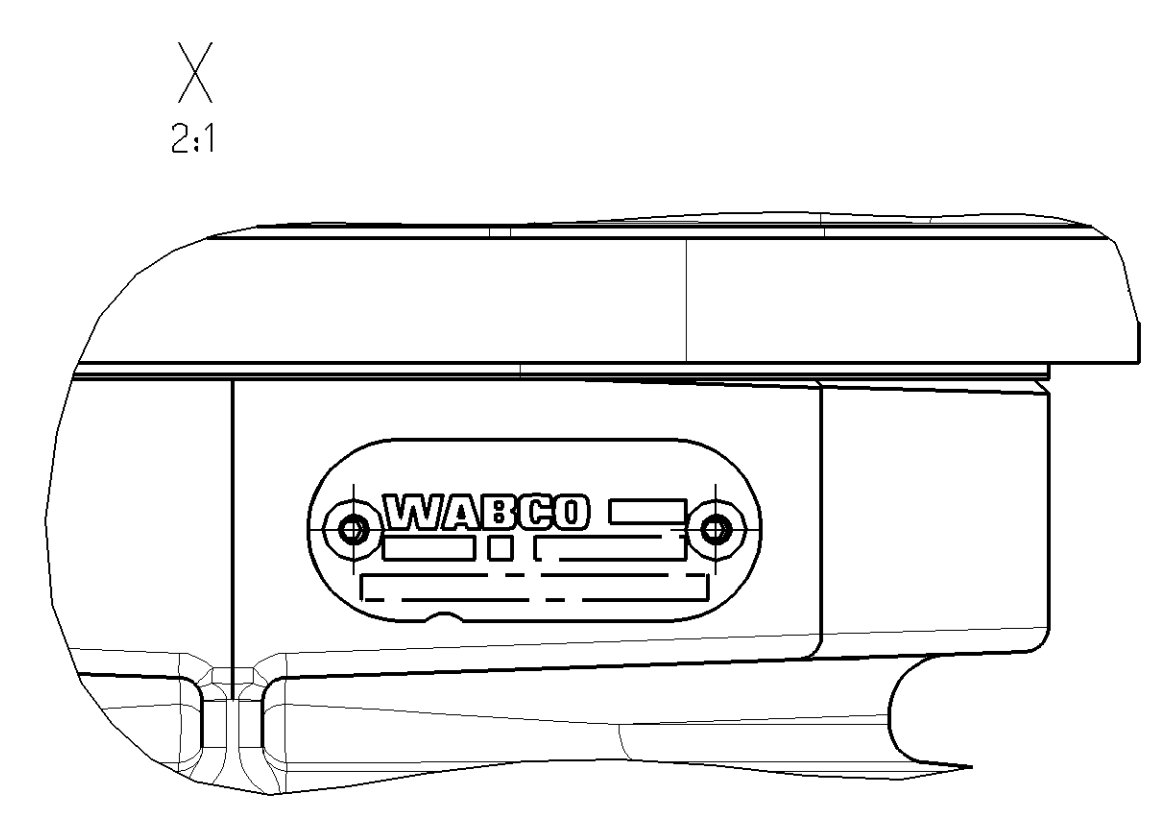
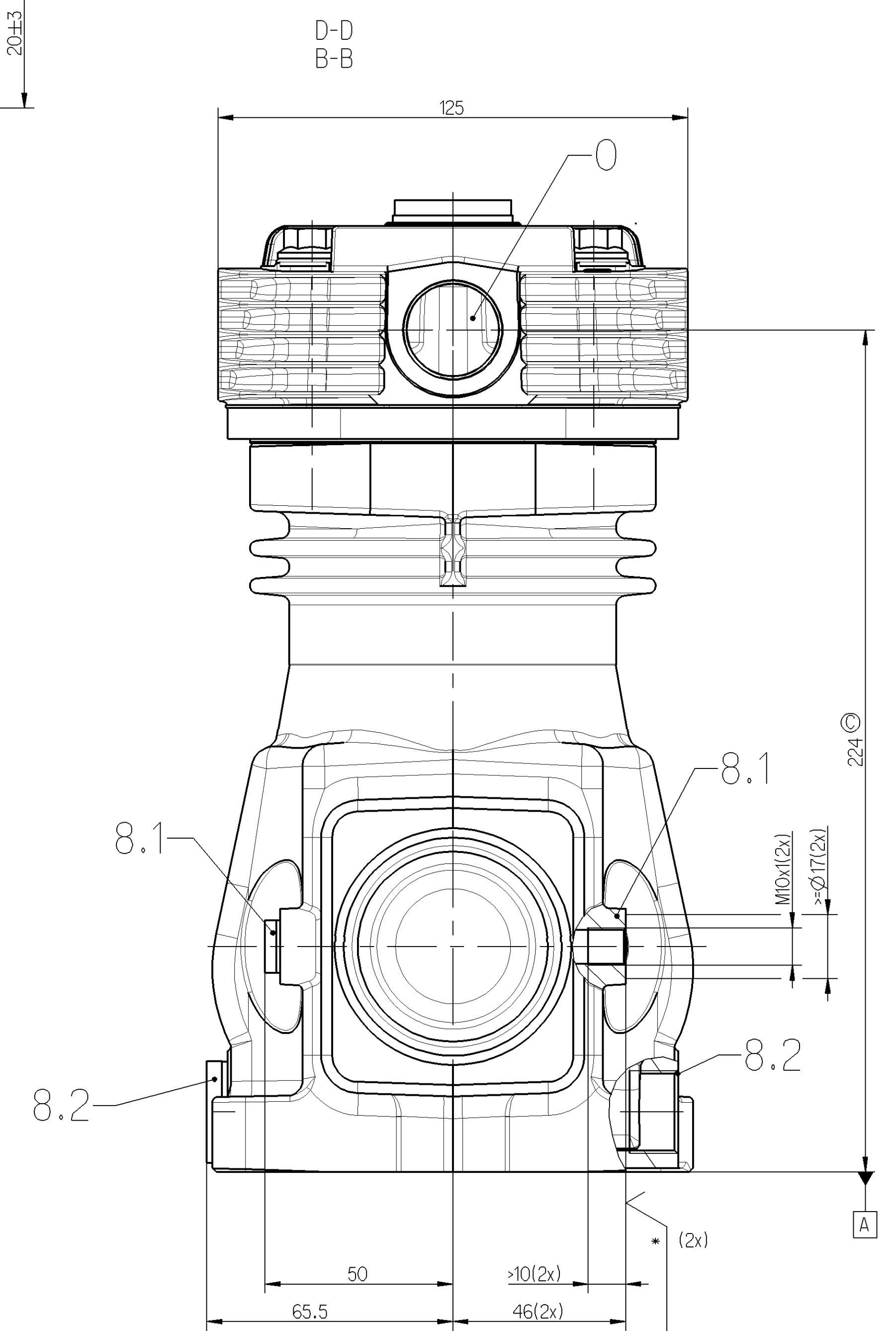
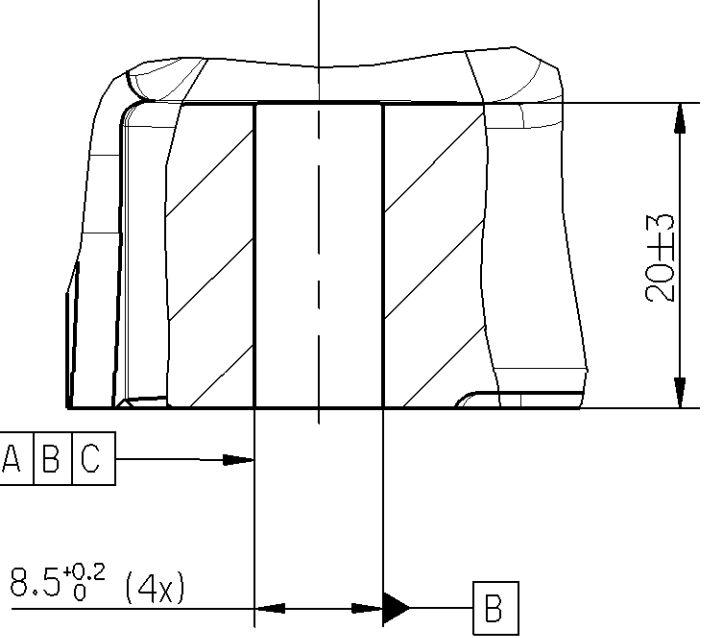
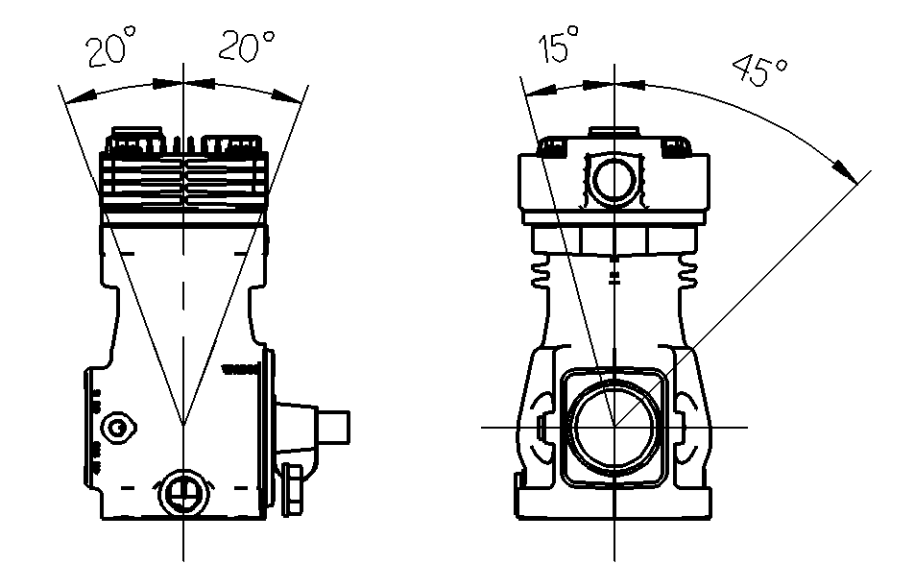


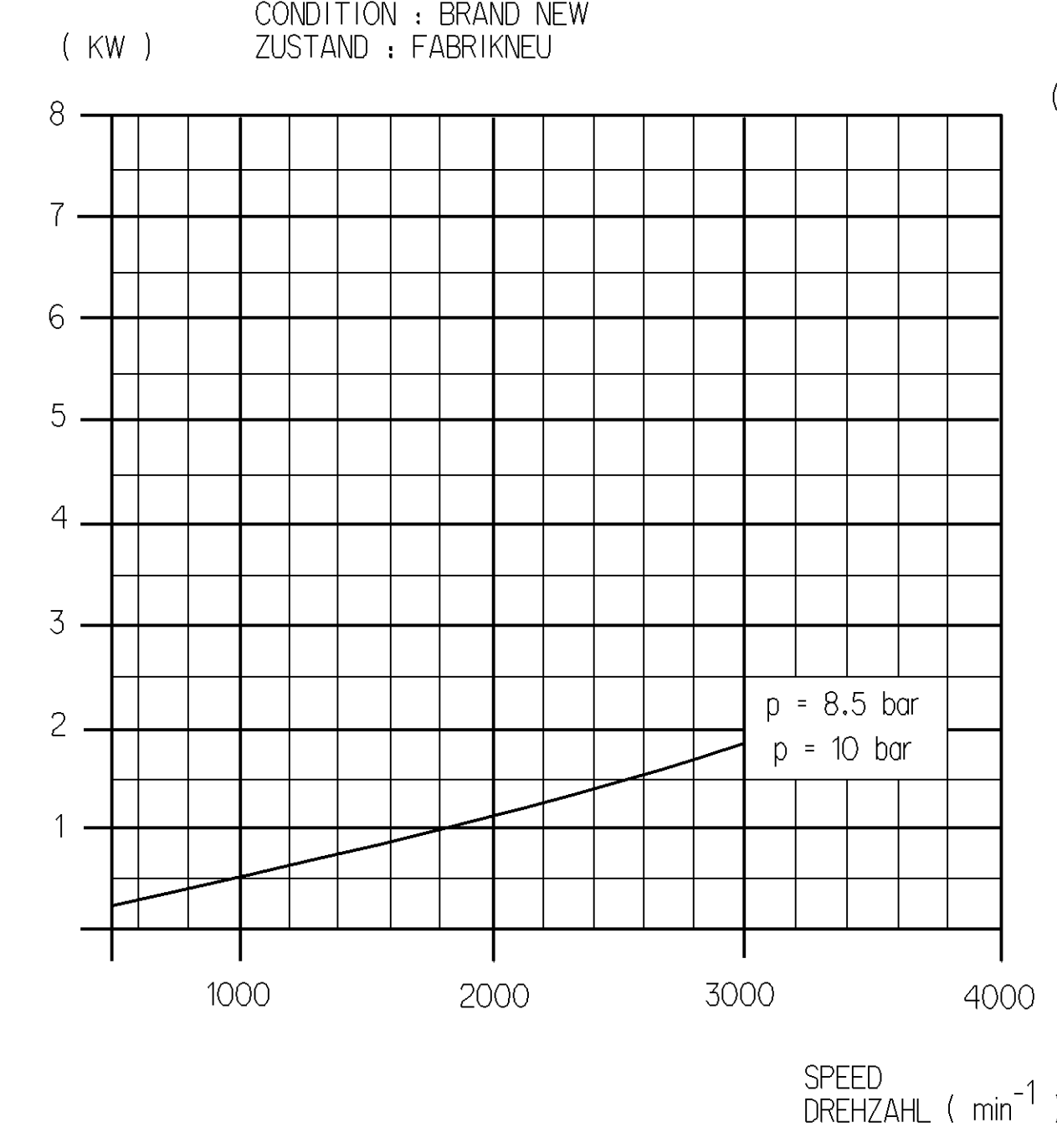
Z
2:1



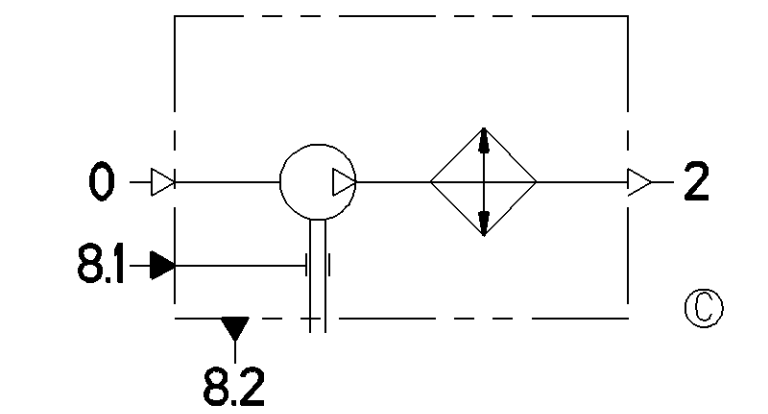
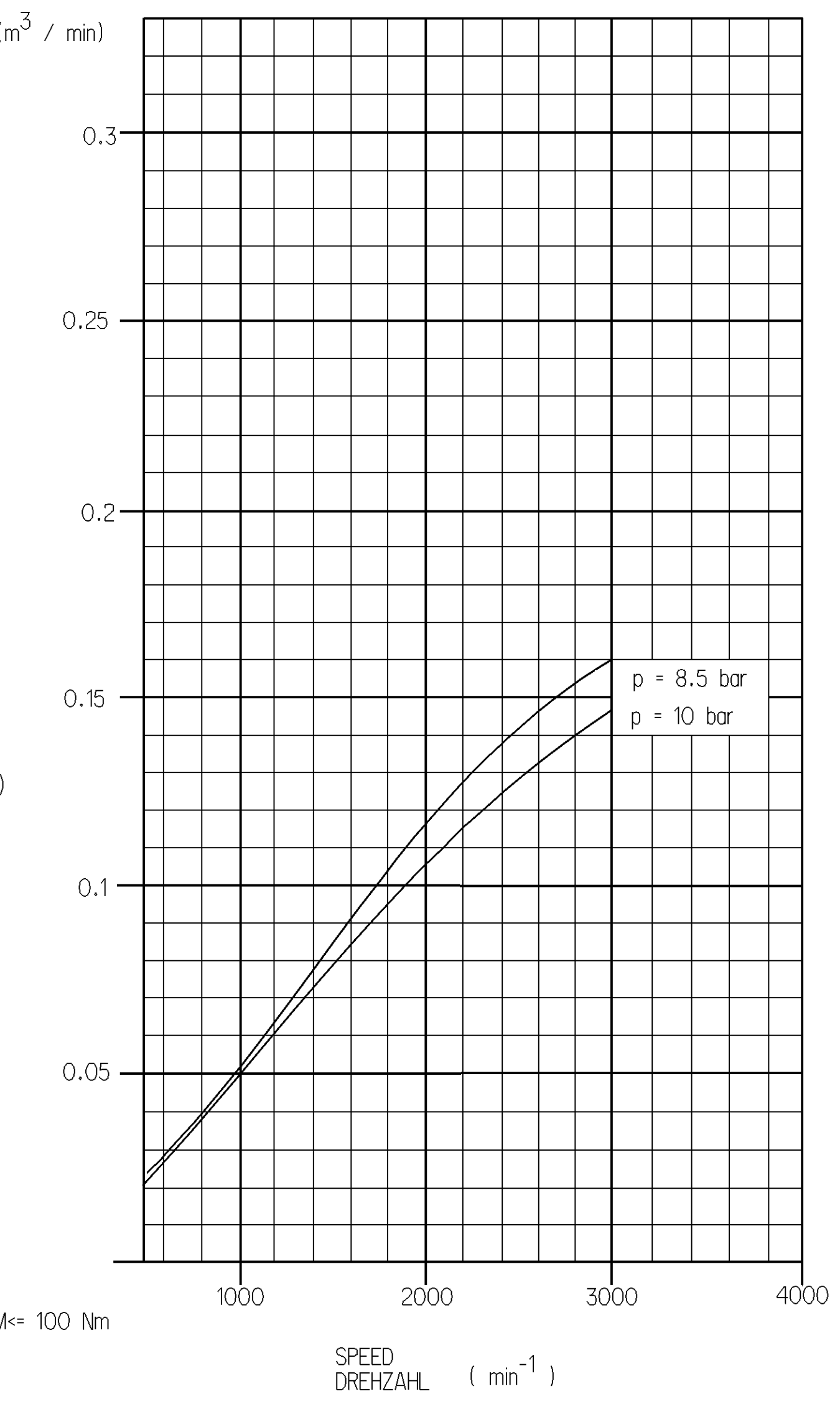
- BORE: BOHRUNG: $\varnothing 75$ mm
- STROKE: HÜB: 24 mm
- SWEPT VOLUME: HUBRAUM: 106 cm³
- MAX. WORKING SPEED: MAX. BETRIEBSDREHZAHL: $n_{max} = 3000$ min⁻¹
- OVERSPEED (TEMPORARY MAX. 4 SEC.): UEBERDREHZAHL (KURZZEITIG MAX. 4 SEC.): $n_{ue} = 1.3 \cdot n_{max}$
- MAX. WORKING PRESSURE: MAX. BETRIEBSDRUCK: $p = 10$ bar
- SHORT TERM MAX. PRESSURE AT DISCHARGE PORT (TEMPORARILY ≤ 4 SEC.): KURZZEITIGER HOECHSTDRUCK AM DRUCKSTUTZEN (KURZZEITIG ≤ 4 SEC.): $p = 12$ bar
- REQUIRED COOLING AIR SPEED: ERFORDERLICHE KUEHLUFTGESCHWINDIGKEIT: ≤ 8 bar 4m/s, > 8 bar 6m/s
- END PLAY OF CRANKSHAFT: AXIALSPIEL DER KURBELWELLE: 0.2...0.6 mm
- MAX. PERMISSIBLE TILT DURING CONTINUOUS WORKING: MAX. ZULAESSIGE NEIGUNG IM DAUERBETRIEB: 20° , 15° , 45°
- LUBRICATION: LUBRICATION SUPPLIED FROM ENGINE SCHMIERART: UMLAUFSCMIERUNG MIT DRUCKOELANSCHLUSS



POWER CONSUMPTION (OPEN INTAKE PORT) $\pm 5\%$
LEISTUNGS-AUFNAHME (SAUGANSCHLUSS OFFEN) $\pm 5\%$
CONDITION: BRAND NEW
ZUSTAND: FABRIKNEU



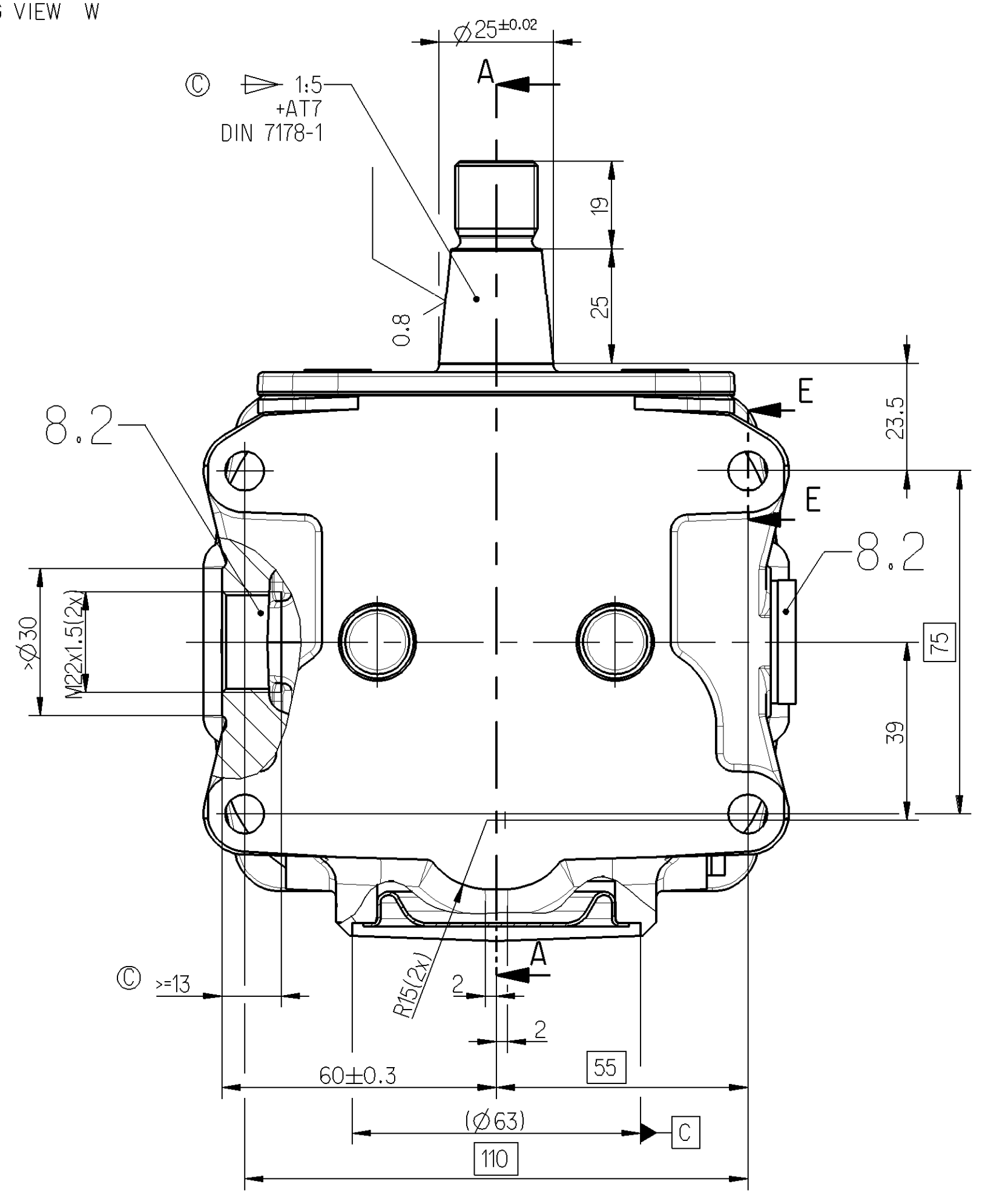
AIR DELIVERY: FREE AIR (OPEN INTAKE PORT) $\pm 5\%$
FOERDERMENGE: ENTSPANNTE LUFT (SAUGANSCHLUSS OFFEN) $\pm 5\%$
CONDITION: BRAND NEW
ZUSTAND: FABRIKNEU



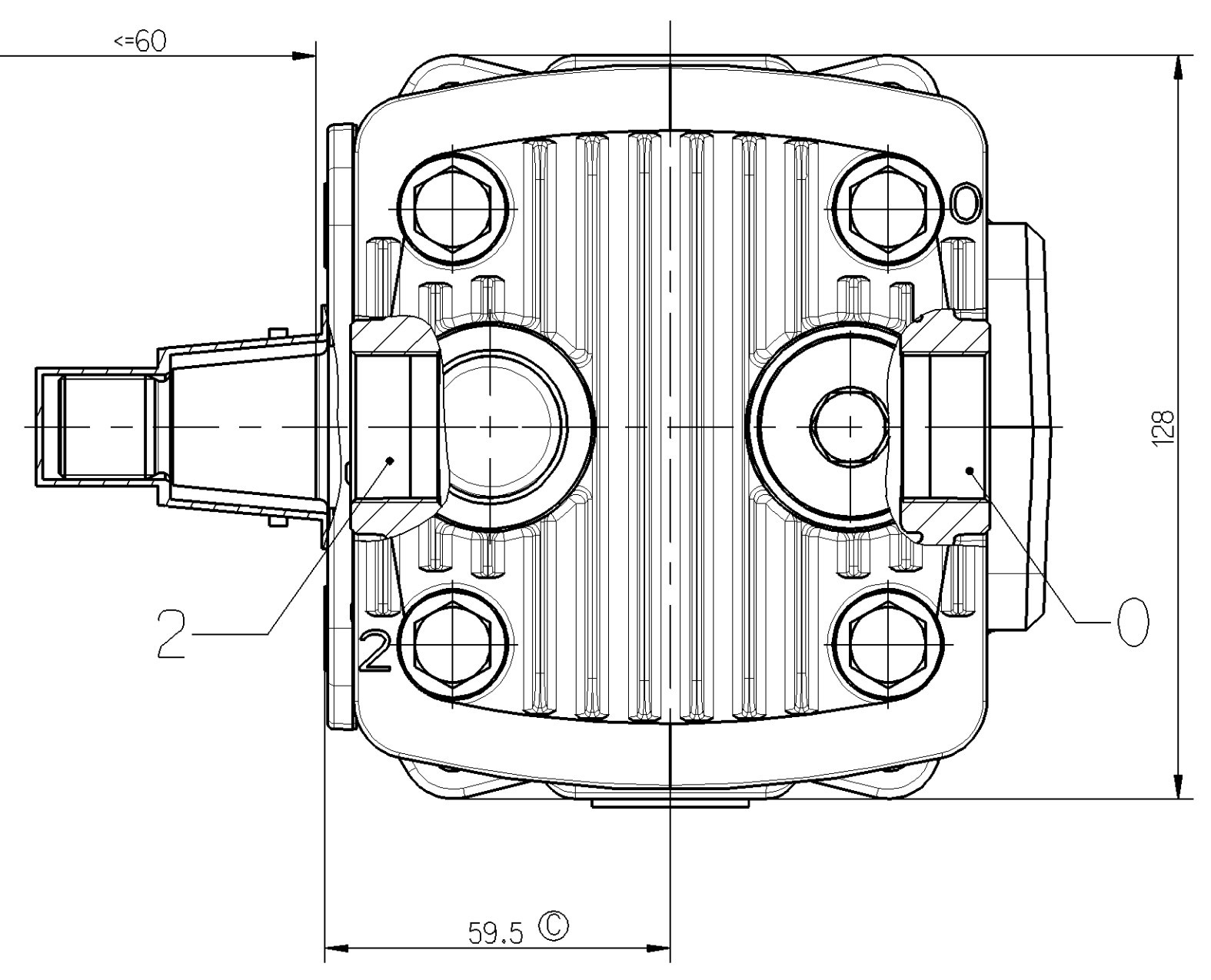
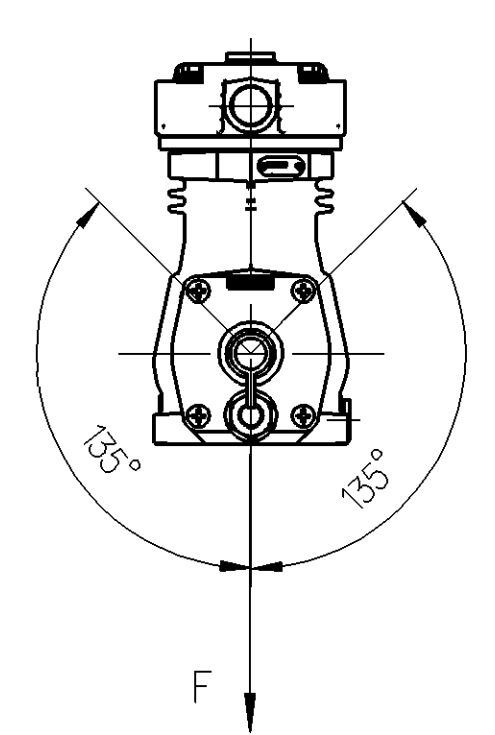
- 0 : INLET PORT SAUGANSCHLUSS $M \times 100$ Nm
- 2 : DISCHARGE PORT DRUCKANSCHLUSS $M \times 100$ Nm
- 81 : OIL SUPPLY DRUCKOELANSCHLUSS $M \times 15$ Nm
- 82 : OIL DRAIN OELRUECKLAUF $M \times 100$ Nm

PORTS PROTECTED ANSCHLUESSE GESCHUETZT

DRAWING VIEW W ANSICHT



RESULTANT BELT FORCE AT 60 mm CANTILEVER
RESULTIERENDE RIEMENKRAFT $F_{max} \times 2000$ N
BEI 60 mm AUSKRAGUNG



(...) AUXILIARY DIMENSION HILFSSMASS

General Specification: 411-354-0		Copyright WABCO		WABCO	
Further Technical Data: 411 140 000 0		Date: 2012-07-04		Sheet: 005 DE 1/1	
Title: 411 140 000 0		Drawing: 1 To 5		Material: 200-02-04	
General Tolerances: 411-301		Created: 2012-07-04		Scale: 1:1	
Range of Nominal Dimensions (d, mm)		Checked: Jäger		Drawing Code: 411405000 of 89-11-14	
Class	IT	± 0.5	± 0.01	± 0.01	± 0.01
IT6	IT7	± 0.01	± 0.01	± 0.01	± 0.01
IT8	IT9	± 0.02	± 0.02	± 0.02	± 0.02
IT10	IT11	± 0.05	± 0.05	± 0.05	± 0.05
IT12	IT13	± 0.10	± 0.10	± 0.10	± 0.10
IT14	IT15	± 0.20	± 0.20	± 0.20	± 0.20
IT16	IT17	± 0.50	± 0.50	± 0.50	± 0.50
IT18	IT19	± 1.00	± 1.00	± 1.00	± 1.00
IT20	IT21	± 2.00	± 2.00	± 2.00	± 2.00
IT22	IT23	± 5.00	± 5.00	± 5.00	± 5.00
IT24	IT25	± 12.00	± 12.00	± 12.00	± 12.00
IT26	IT27	± 25.00	± 25.00	± 25.00	± 25.00
IT28	IT29	± 50.00	± 50.00	± 50.00	± 50.00
IT30	IT31	± 100.00	± 100.00	± 100.00	± 100.00
IT32	IT33	± 200.00	± 200.00	± 200.00	± 200.00
IT34	IT35	± 500.00	± 500.00	± 500.00	± 500.00
IT36	IT37	± 1000.00	± 1000.00	± 1000.00	± 1000.00
IT38	IT39	± 2000.00	± 2000.00	± 2000.00	± 2000.00
IT40	IT41	± 5000.00	± 5000.00	± 5000.00	± 5000.00
IT42	IT43	± 10000.00	± 10000.00	± 10000.00	± 10000.00
IT44	IT45	± 20000.00	± 20000.00	± 20000.00	± 20000.00
IT46	IT47	± 50000.00	± 50000.00	± 50000.00	± 50000.00
IT48	IT49	± 100000.00	± 100000.00	± 100000.00	± 100000.00
IT50	IT51	± 200000.00	± 200000.00	± 200000.00	± 200000.00
IT52	IT53	± 500000.00	± 500000.00	± 500000.00	± 500000.00
IT54	IT55	± 1000000.00	± 1000000.00	± 1000000.00	± 1000000.00
IT56	IT57	± 2000000.00	± 2000000.00	± 2000000.00	± 2000000.00
IT58	IT59	± 5000000.00	± 5000000.00	± 5000000.00	± 5000000.00
IT60	IT61	± 10000000.00	± 10000000.00	± 10000000.00	± 10000000.00
IT62	IT63	± 20000000.00	± 20000000.00	± 20000000.00	± 20000000.00
IT64	IT65	± 50000000.00	± 50000000.00	± 50000000.00	± 50000000.00
IT66	IT67	± 100000000.00	± 100000000.00	± 100000000.00	± 100000000.00
IT68	IT69	± 200000000.00	± 200000000.00	± 200000000.00	± 200000000.00
IT70	IT71	± 500000000.00	± 500000000.00	± 500000000.00	± 500000000.00
IT72	IT73	± 1000000000.00	± 1000000000.00	± 1000000000.00	± 1000000000.00
IT74	IT75	± 2000000000.00	± 2000000000.00	± 2000000000.00	± 2000000000.00
IT76	IT77	± 5000000000.00	± 5000000000.00	± 5000000000.00	± 5000000000.00
IT78	IT79	± 10000000000.00	± 10000000000.00	± 10000000000.00	± 10000000000.00
IT80	IT81	± 20000000000.00	± 20000000000.00	± 20000000000.00	± 20000000000.00
IT82	IT83	± 50000000000.00	± 50000000000.00	± 50000000000.00	± 50000000000.00
IT84	IT85	± 100000000000.00	± 100000000000.00	± 100000000000.00	± 100000000000.00
IT86	IT87	± 200000000000.00	± 200000000000.00	± 200000000000.00	± 200000000000.00
IT88	IT89	± 500000000000.00	± 500000000000.00	± 500000000000.00	± 500000000000.00
IT90	IT91	± 1000000000000.00	± 1000000000000.00	± 1000000000000.00	± 1000000000000.00
IT92	IT93	± 2000000000000.00	± 2000000000000.00	± 2000000000000.00	± 2000000000000.00
IT94	IT95	± 5000000000000.00	± 5000000000000.00	± 5000000000000.00	± 5000000000000.00
IT96	IT97	± 10000000000000.00	± 10000000000000.00	± 10000000000000.00	± 10000000000000.00
IT98	IT99	± 20000000000000.00	± 20000000000000.00	± 20000000000000.00	± 20000000000000.00
IT100	IT101	± 50000000000000.00	± 50000000000000.00	± 50000000000000.00	± 50000000000000.00
IT102	IT103	± 100000000000000.00	± 100000000000000.00	± 100000000000000.00	± 100000000000000.00
IT104	IT105	± 200000000000000.00	± 200000000000000.00	± 200000000000000.00	± 200000000000000.00
IT106	IT107	± 500000000000000.00	± 500000000000000.00	± 500000000000000.00	± 500000000000000.00
IT108	IT109	± 1000000000000000.00	± 1000000000000000.00	± 1000000000000000.00	± 1000000000000000.00
IT110	IT111	± 2000000000000000.00	± 2000000000000000.00	± 2000000000000000.00	± 2000000000000000.00
IT112	IT113	± 5000000000000000.00	± 5000000000000000.00	± 5000000000000000.00	± 5000000000000000.00
IT114	IT115	± 10000000000000000.00	± 10000000000000000.00	± 10000000000000000.00	± 10000000000000000.00
IT116	IT117	± 20000000000000000.00	± 20000000000000000.00	± 20000000000000000.00	± 20000000000000000.00
IT118	IT119	± 50000000000000000.00	± 50000000000000000.00	± 50000000000000000.00	± 50000000000000000.00
IT120	IT121	± 100000000000000000.00	± 100000000000000000.00	± 100000000000000000.00	± 100000000000000000.00
IT122	IT123	± 200000000000000000.00	± 200000000000000000.00	± 200000000000000000.00	± 200000000000000000.00
IT124	IT125	± 500000000000000000.00	± 500000000000000000.00	± 500000000000000000.00	± 500000000000000000.00
IT126	IT127	± 1000000000000000000.00	± 1000000000000000000.00	± 1000000000000000000.00	± 1000000000000000000.00
IT128	IT129	± 2000000000000000000.00	± 2000000000000000000.00	± 2000000000000000000.00	± 2000000000000000000.00
IT130	IT131	± 5000000000000000000.00	± 5000000000000000000.00	± 5000000000000000000.00	± 5000000000000000000.00
IT132	IT133	± 10000000000000000000.00	± 10000000000000000000.00	± 10000000000000000000.00	± 10000000000000000000.00
IT134	IT135	± 20000000000000000000.00	± 20000000000000000000.00	± 20000000000000000000.00	± 20000000000000000000.00
IT136	IT137	± 50000000000000000000.00	± 50000000000000000000.00	± 50000000000000000000.00	± 50000000000000000000.00
IT138	IT139	± 100000000000000000000.00	± 100000000000000000000.00	± 100000000000000000000.00	± 100000000000000000000.00
IT140	IT141	± 200000000000000000000.00	± 200000000000000000000.00	± 200000000000000000000.00	± 200000000000000000000.00
IT142	IT143	± 500000000000000000000.00	± 500000000000000000000.00	± 500000000000000000000.00	± 500000000000000000000.00
IT144	IT145	± 1000000000000000000000.00	± 1000000000000000000000.00	± 1000000000000000000000.00	± 1000000000000000000000.00
IT146	IT147	± 2000000000000000000000.00	± 2000000000000000000000.00	± 2000000000000000000000.00	± 2000000000000000000000.00
IT148	IT149	± 5000000000000000000000.00	± 5000000000000000000000.00	± 5000000000000000000000.00	± 5000000000000000000000.00
IT150	IT151	± 10000000000000000000000.00	± 10000000000000000000000.00	± 10000000000000000000000.00	± 10000000000000000000000.00
IT152	IT153	± 20000000000000000000000.00	± 20000000000000000000000.00	± 20000000000000000000000.00	± 20000000000000000000000.00
IT154	IT155	± 50000000000000000000000.00	± 50000000000000000000000.00	± 50000000000000000000000.00	± 50000000000000000000000.00
IT156	IT157	± 100000000000000000000000.00	± 100000000000000000000000.00	± 100000000000000000000000.00	± 100000000000000000000000.00
IT158	IT159	± 200000000000000000000000.00	± 200000000000000000000000.00	± 200000000000000000000000.00	± 200000000000000000000000.00
IT160	IT161	± 500000000000000000000000.00	± 500000000000000000000000.00	± 500000000000000000000000.00	± 500000000000000000000000.00
IT162	IT163	± 1000000000000000000000000.00	± 1000000000000000000000000.00	± 1000000000000000000000000.00	± 1000000000000000000000000.00
IT164	IT165	± 2000000000000000000000000.00	± 2000000000000000000000000.00	± 2000000000000000000000000.00	± 2000000000000000000000000.00
IT166	IT167	± 5000000000000000000000000.00	± 5000000000000000000000000.00	± 5000000000000000000000000.00	± 5000000000000000000000000.00
IT168	IT169	± 10000000000000000000000000.00	± 10000000000000000000000000.00	± 10000000000000000000000000.00	± 10000000000000000000000000.00
IT170	IT171	± 20000000000000000000000000.00	± 20000		