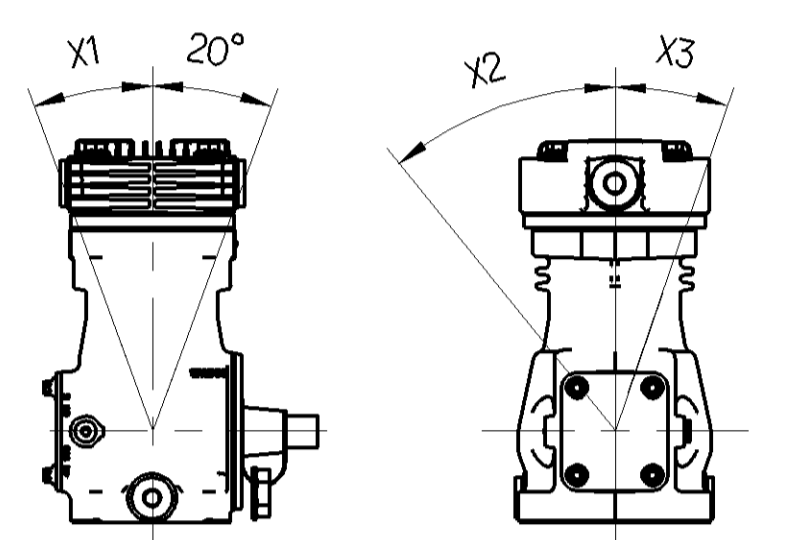


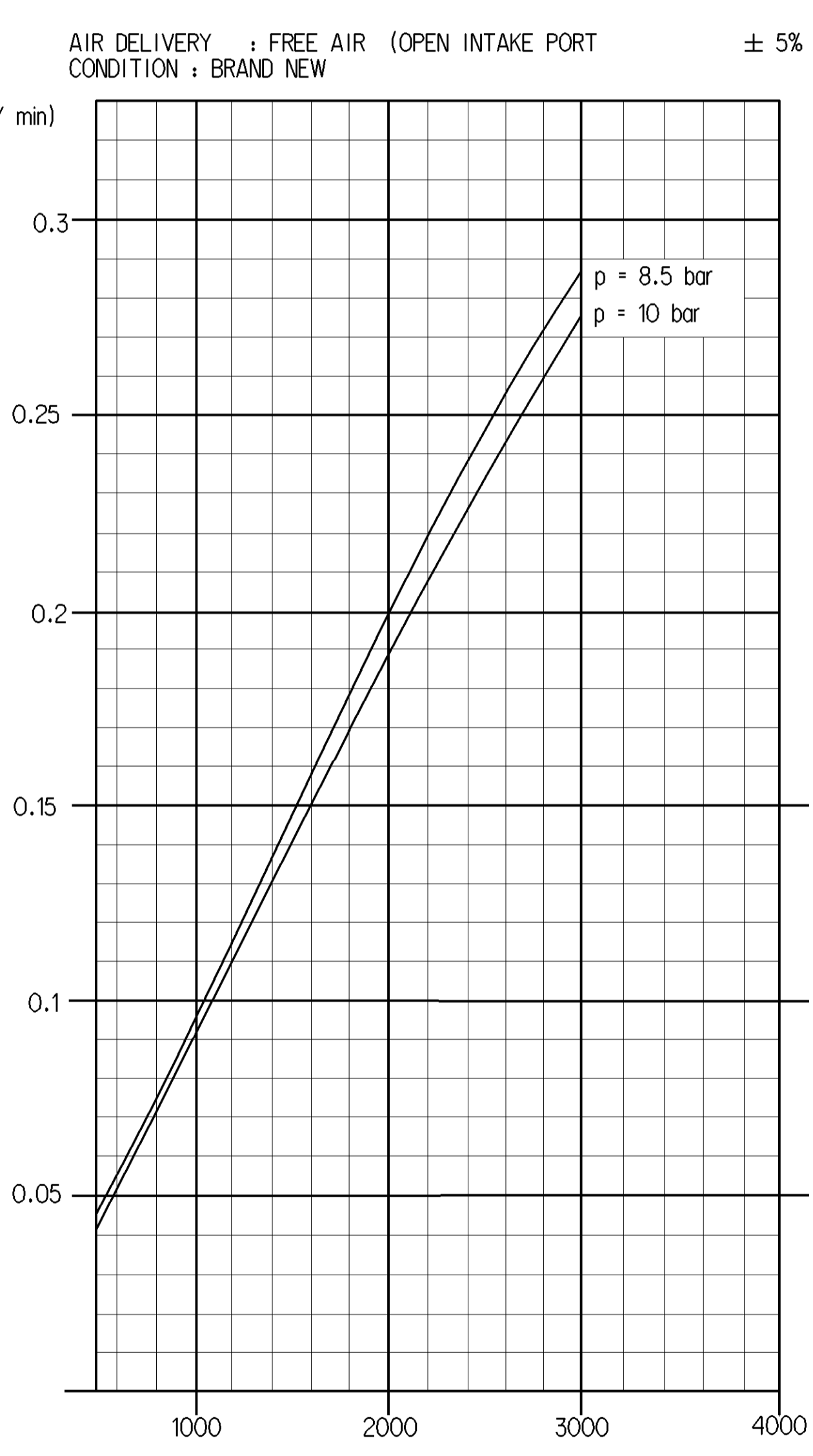
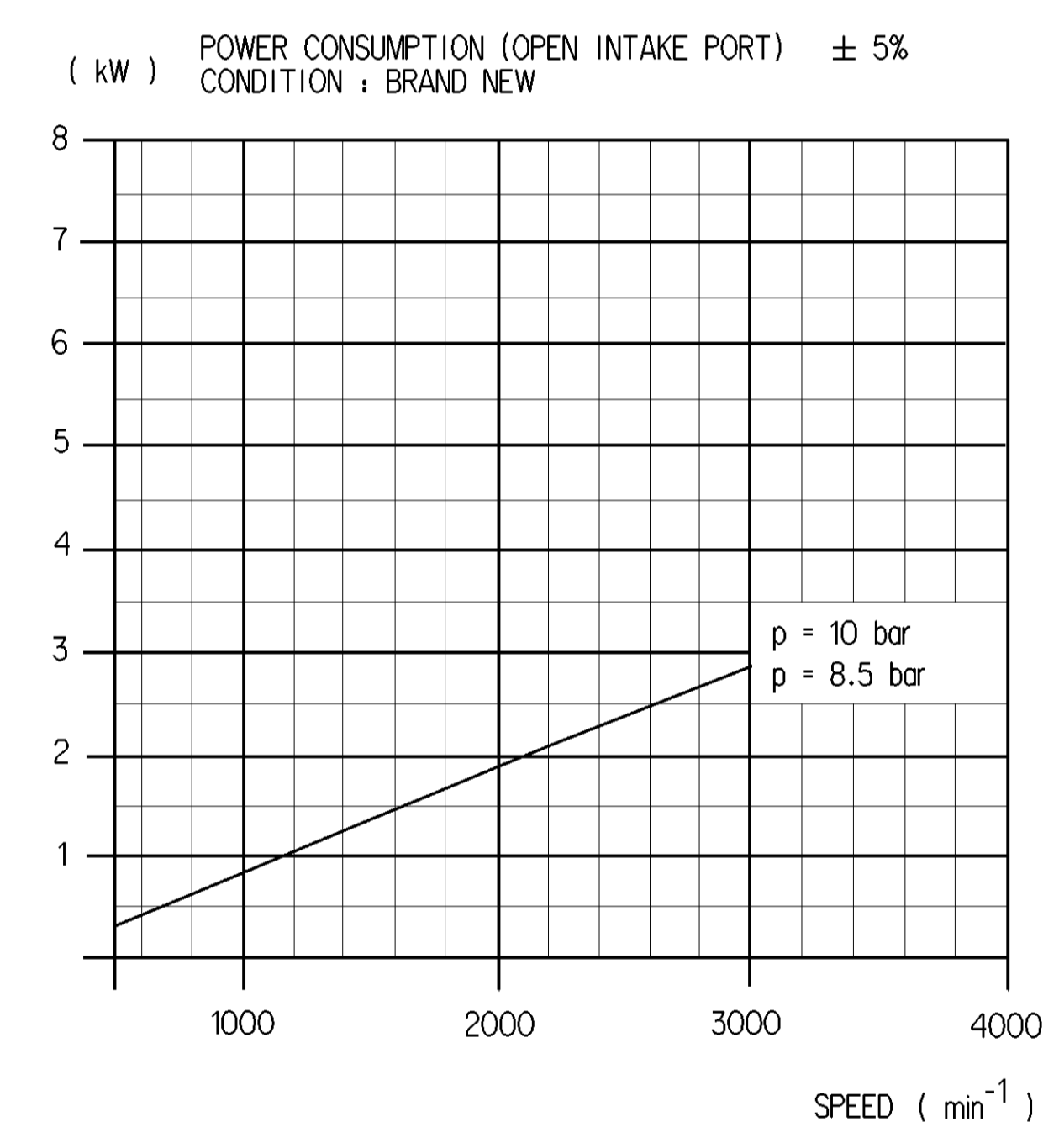
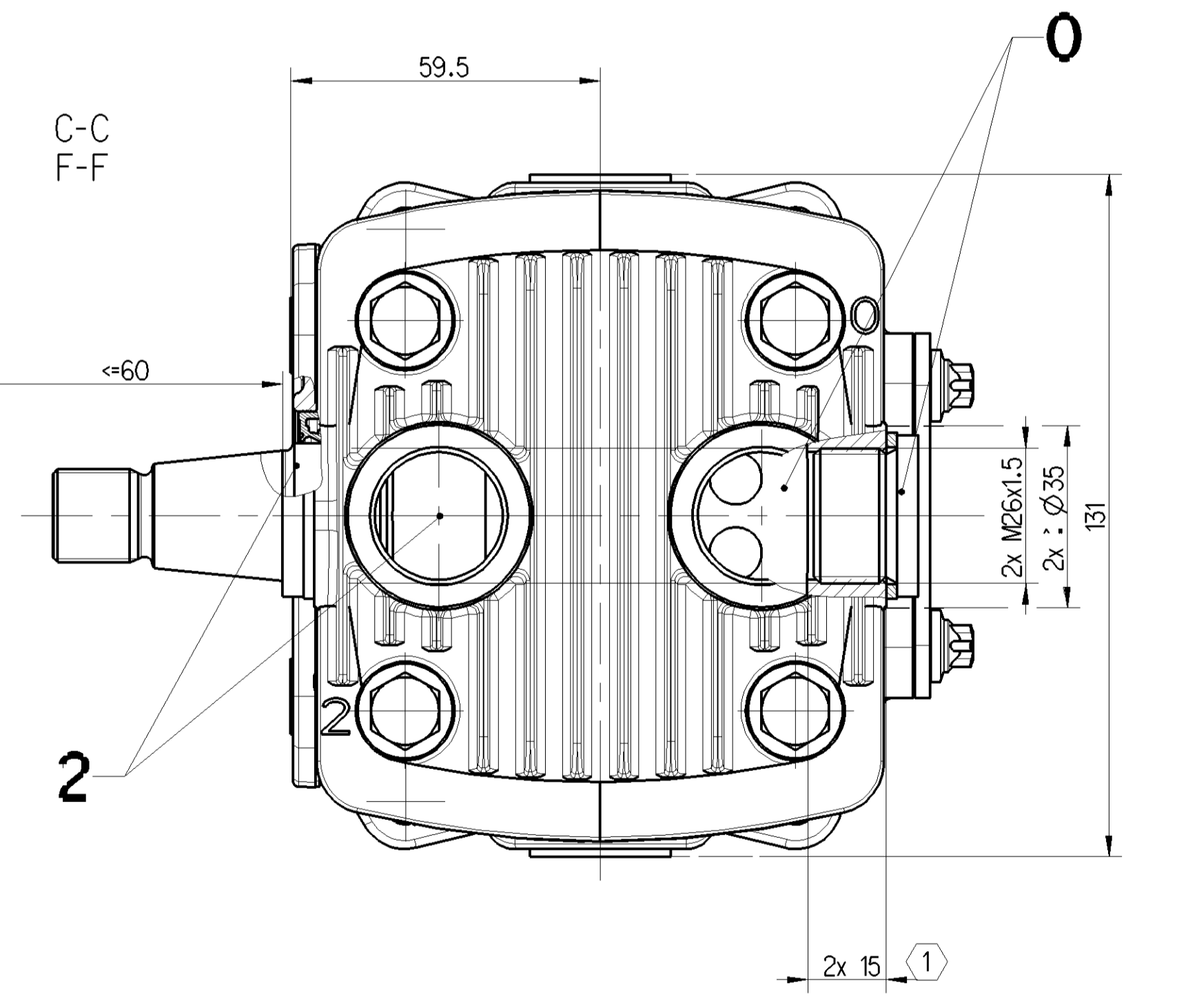
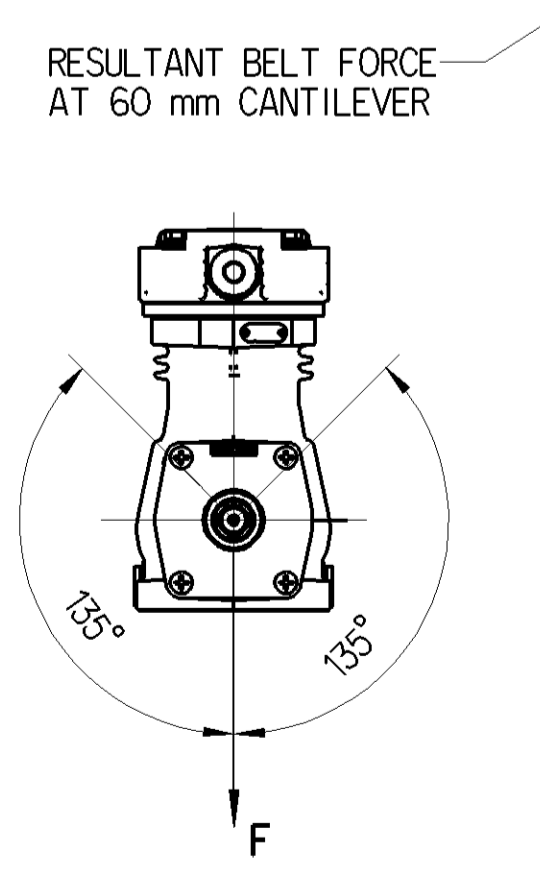
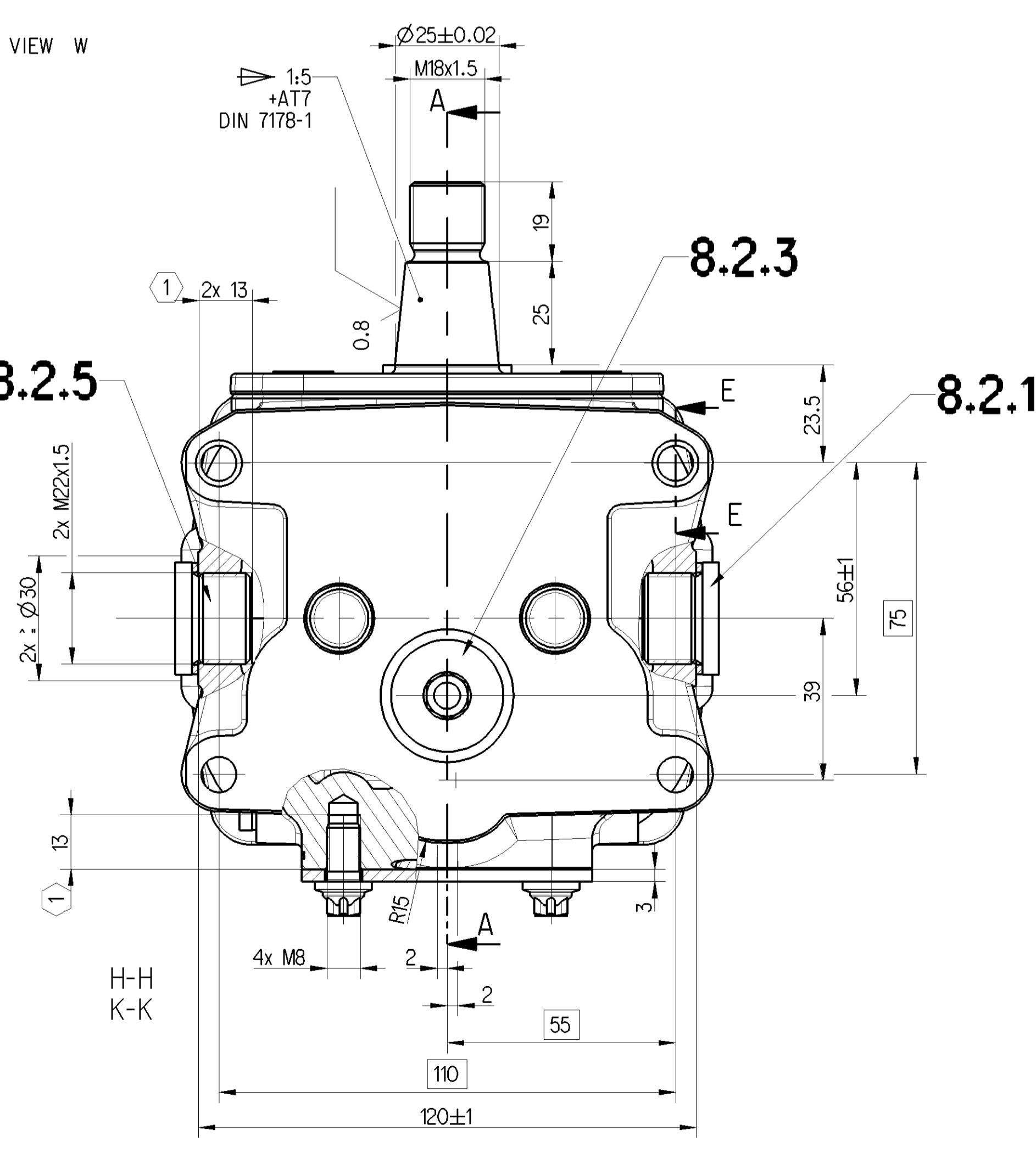
BORE	Ø 75 mm
STROKE	36 mm
SWEPT VOLUME	159 cm ³
MAX. WORKING SPEED	n _{max} = 3000 min ⁻¹
OVERSPEED (TEMPORARILY ≤ 4 SEC.)	n _{ue} = 1.3 x n _{max}
END PLAY OF CRANKSHAFT	0.2 ... 0.6
MAX. WORKING PRESSURE	10 bar
SHORT TERM MAX. PRESSURE AT DISCHARGE PORT (TEMPORARILY ≤ 4 SEC.)	12 bar
LUBRICATION SUPPLIED FROM ENGINE	
PORTS PROTECTED	
REQUIRED COOLING AIR SPEED	for <= 8 bar - 4 m/s for > 8 bar - 6 m/s
ATTENTION ! CONNECT OIL RETURN LINE AND REMOVE RELATED PLUG BEFORE PUTTING INTO SERVICE.	



	X1	X2	X3
8.2.1	20°	45°	15°
8.2.5	20°	15°	45°
8.2.3	30°	30°	30°

MAX. PERMISSIBLE TILT DURING CONTINUOUS WORKING

DRAWING VIEW W



0	INLET PORT	M ≤ 100 Nm
2	DISCHARGE PORT	M ≤ 100 Nm
8.1	OIL SUPPLY	M ≤ 15 Nm
8.2	OIL DRAIN	M ≤ 60 Nm

① MAX. THREAD ENGAGEMENT

** ALSO VALID FOR PRI: 037, 003

LABELING INFORMATION TABLE (SEE ALSO DOC.922)			
PRODUCTION SITE	LABEL	LABEL ID NUMBER	LABEL LAYOUT
PRI 048	②	899 050 145 4	PRODUCTION DATE WABCO ID NUMBER

General Specifications: JED-254-D
Further Technical Data: 411 141 000 R (A)
Doc. Code: 035

2018-07-17	2018-07-18
Zygadlo	Fabkowski

WABCO
SINGLE CYLINDER COMPRESSOR

Class	1	2	3	4	5	6	7	8	9	10	11	12	13	14	15	16	17	18	19	20	21	22	23	24									
Flow	0.5	1.0	1.5	2.0	3.0	4.0	5.0	6.0	7.0	8.0	9.0	10.0	11.0	12.0	13.0	14.0	15.0	16.0	17.0	18.0	19.0	20.0	21.0	22.0	23.0	24.0							
Pressure	1.0	2.0	3.0	4.0	5.0	6.0	7.0	8.0	9.0	10.0	11.0	12.0	13.0	14.0	15.0	16.0	17.0	18.0	19.0	20.0	21.0	22.0	23.0	24.0									
Speed	2.0	3.5	5.0	6.5	8.0	9.5	11.0	12.5	14.0	15.5	17.0	18.5	20.0	21.5	23.0	24.5	26.0	27.5	29.0	30.5	32.0	33.5	35.0	36.5	38.0	39.5	41.0	42.5	44.0	45.5	47.0	48.5	50.0

411 141 000 R
005 EN 1/1