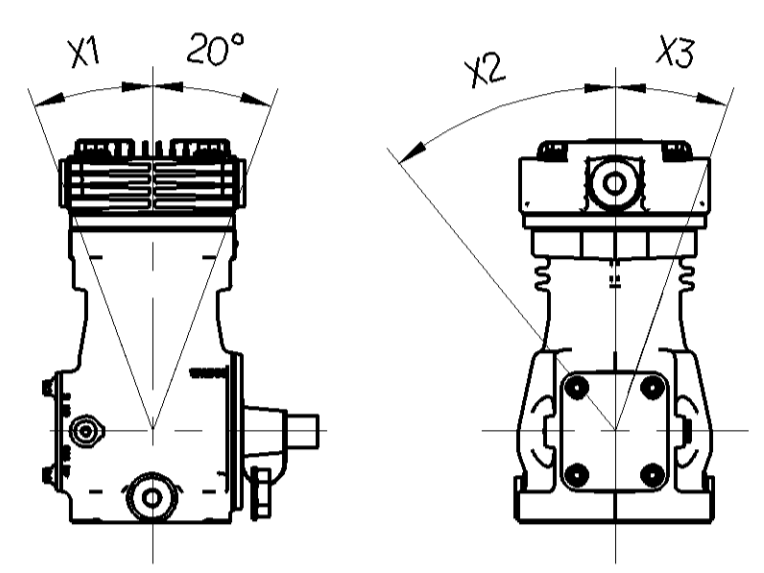


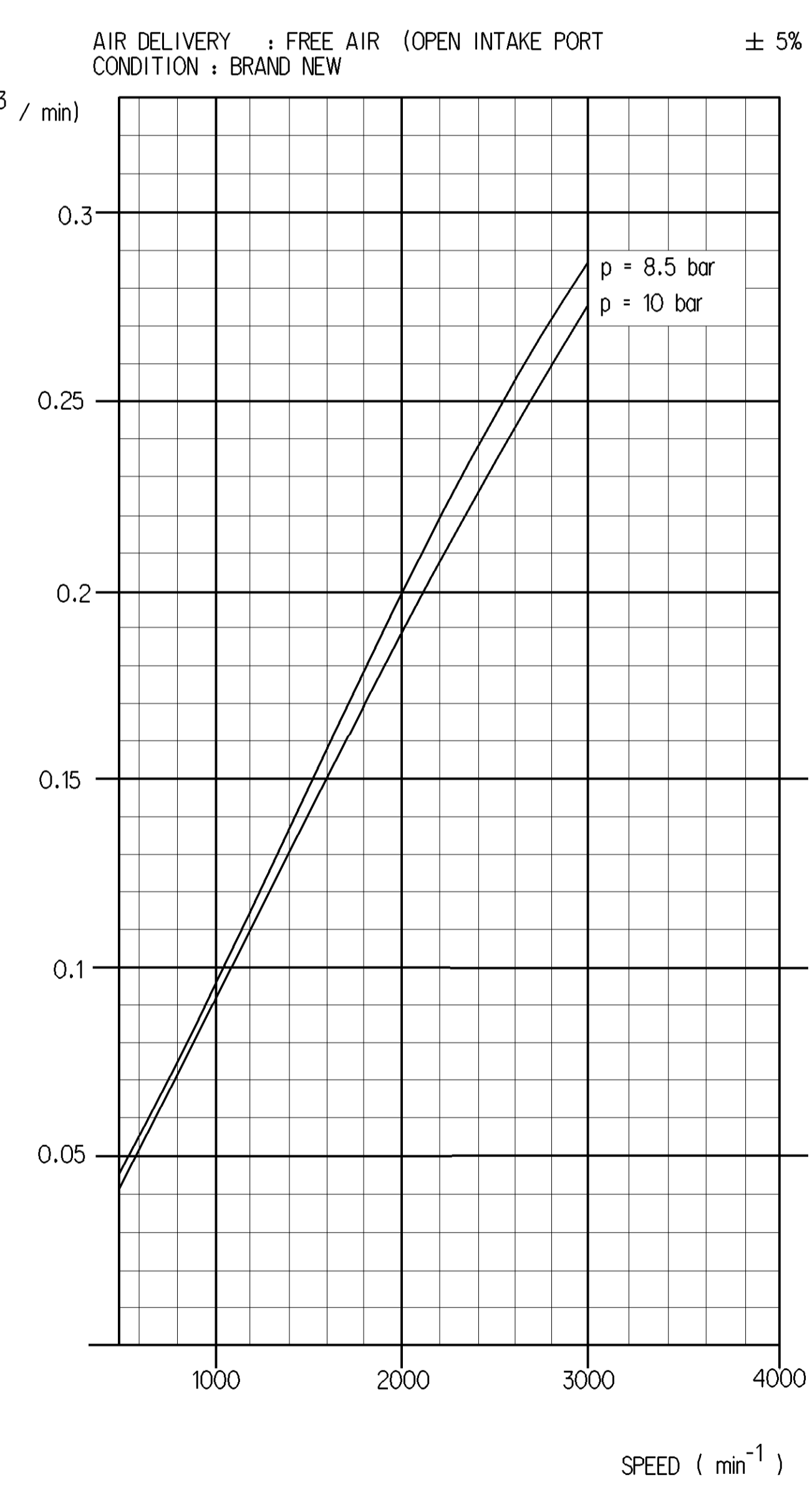
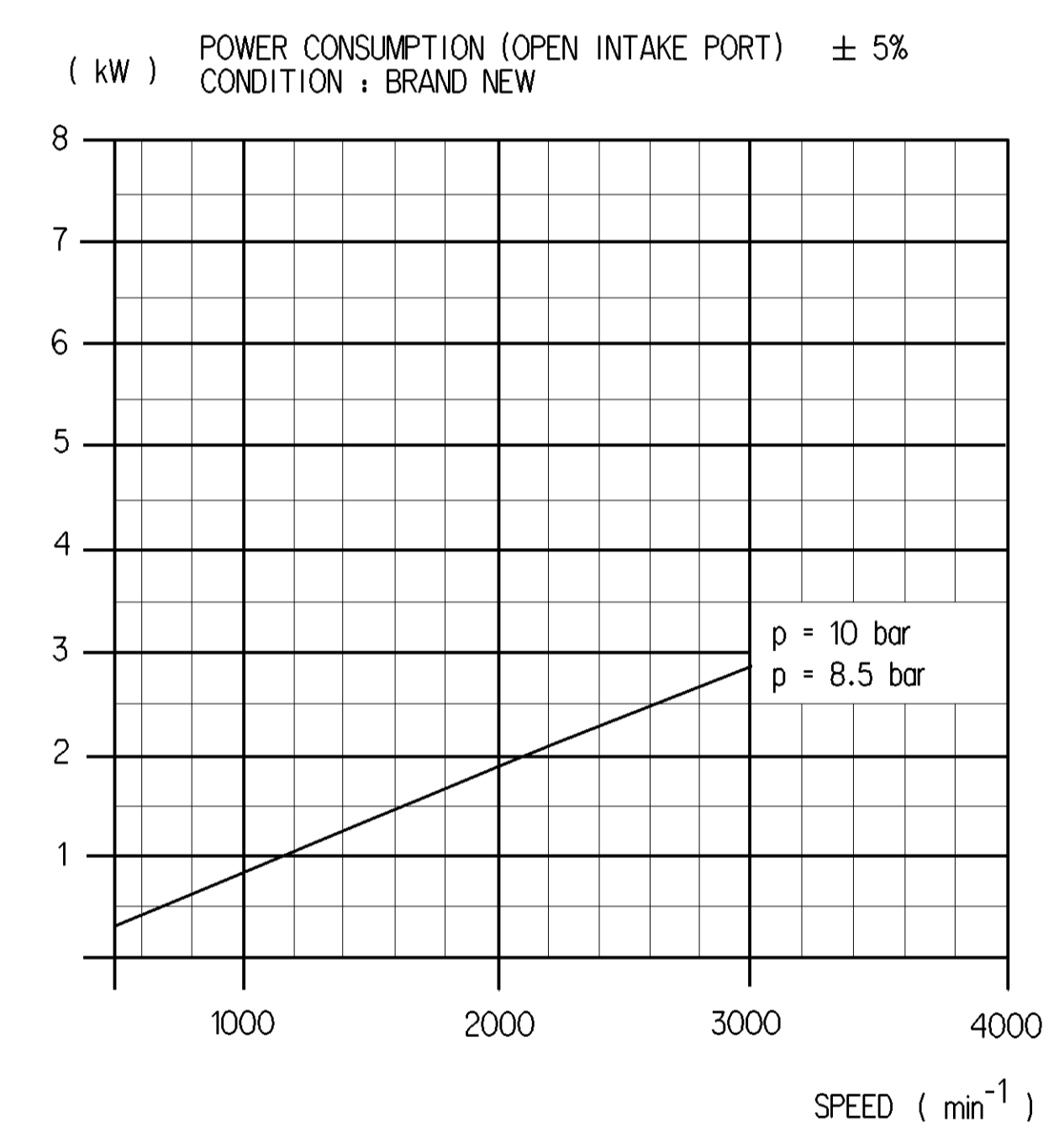
BORE	∅ 75 mm
STROKE	36 mm
SWEPT VOLUME	159 cm ³
MAX. WORKING SPEED	$n_{max} = 3000 \text{ min}^{-1}$
OVERSPEED (TEMPORARILY ≤ 4 SEC.)	$n_{ue} = 1.3 \times n_{max}$
END PLAY OF CRANKSHAFT	0.2 ... 0.6
MAX. WORKING PRESSURE	10 bar
SHORT TERM MAX. PRESSURE AT DISCHARGE PORT (TEMPORARILY ≤ 4 SEC.)	12 bar
LUBRICATION SUPPLIED FROM ENGINE	
PORTS PROTECTED	
REQUIRED COOLING AIR SPEED	for <=8 bar - 4 m/s for > 8 bar - 6 m/s

ATTENTION !
CONNECT OIL RETURN LINE AND REMOVE RELATED PLUG BEFORE PUTTING INTO SERVICE.

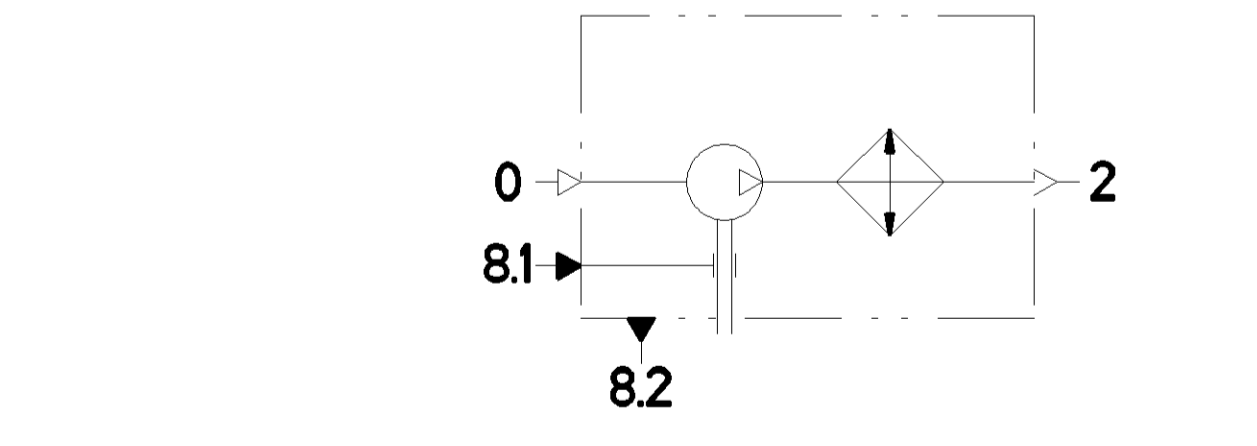
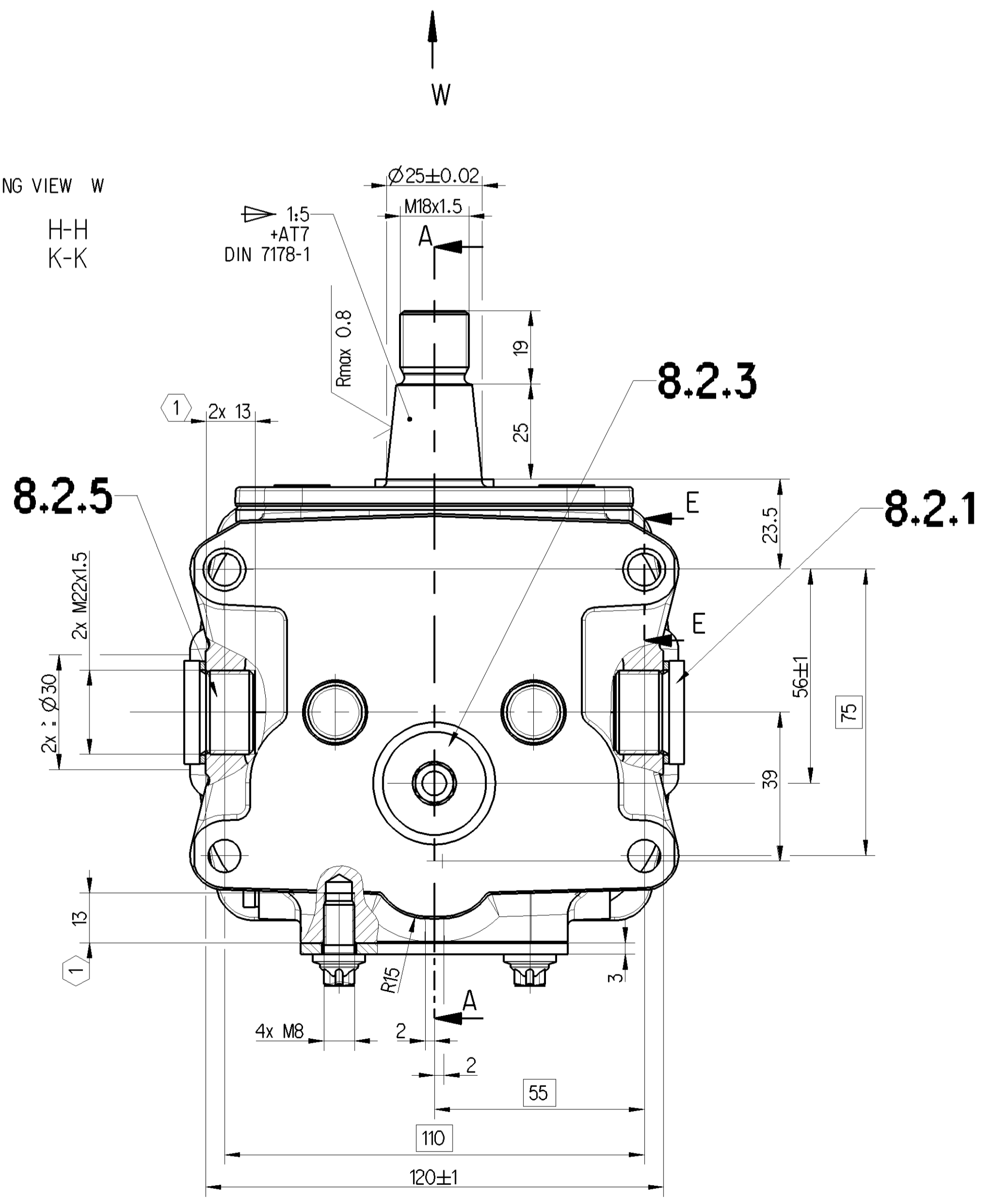
MAX. PERMISSIBLE TILT DURING CONTINUOUS WORKING



	X1	X2	X3
8.2	20°	45°	15°
8.2.1	20°	15°	45°
8.2.2	20°	15°	45°
8.2.3	30°	30°	30°



DRAWING VIEW W



0	INLET PORT	M ≤ 100 Nm
2	DISCHARGE PORT	M ≤ 100 Nm
8.1	OIL SUPPLY	M ≤ 15 Nm
8.2	OIL DRAIN	M ≤ 60 Nm

** ALSO VALID FOR PRI: 037, 003

LABELING INFORMATION TABLE (SEE ALSO DOC.922)

PRODUCTION SITE	LABEL	LABEL ID NUMBER	LABEL LAYOUT
PRI 048 **	(2)	899 050 145 4	

General Specifications	JED-354-D	Design 44020*	WABCO	
Further Technical Data	411 141 000 R (A)	Drawn	SINGLE CYLINDER COMPRESSOR	
Doc. Code: 0305	Speed	2018-07-17 Zygo		
General Tolerances: 420-261	2018-07-18 Zygo			Sheet
Range of Nominal Dimensions (a mm)	2018-07-18 Zygo			
Class 1	9.196			
Class 2	1:1			
Class 3	411 141 002 R			
Class 4	005 EN 1/1			
Class 5	A 0 C90			

Vertical text on the left margin containing technical specifications and references.