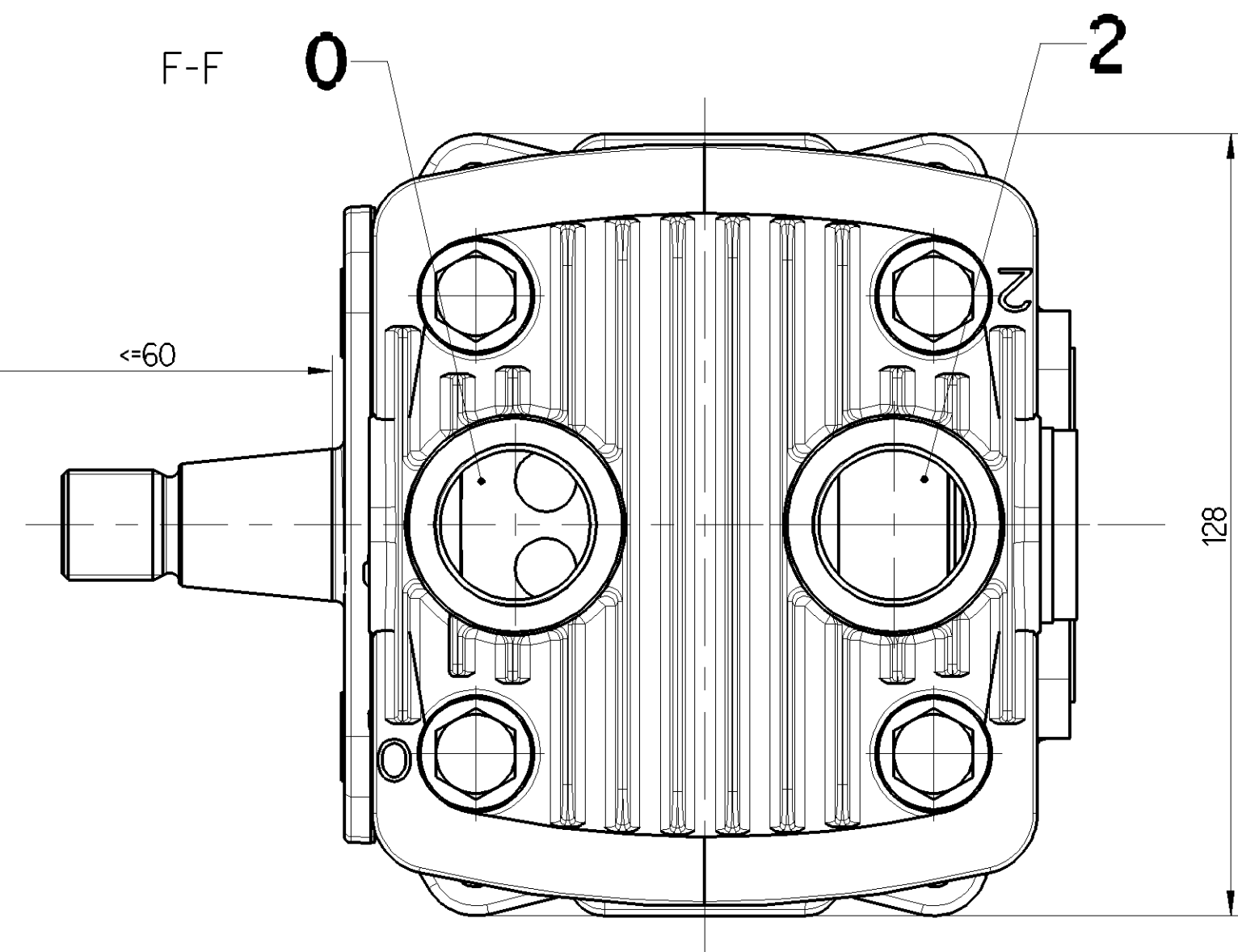
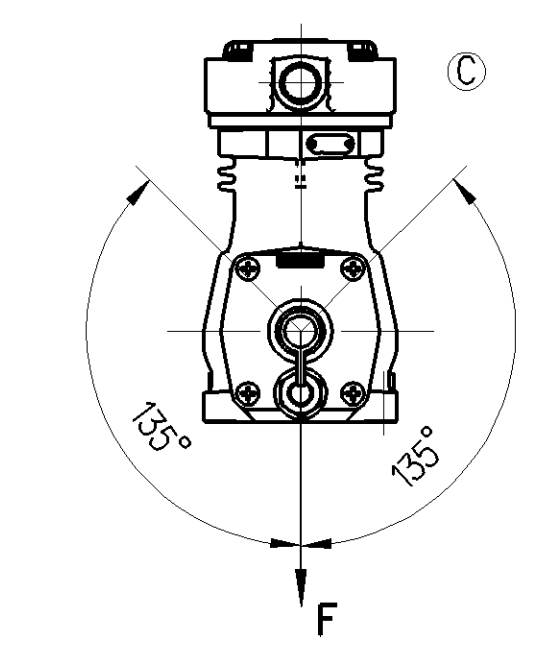
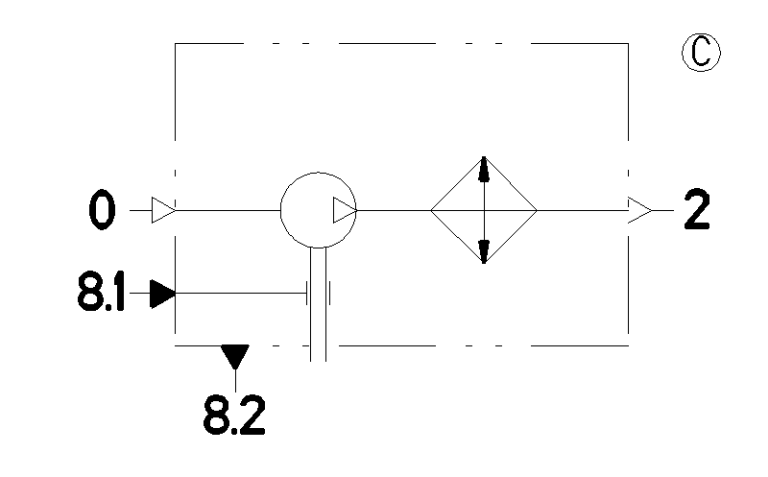
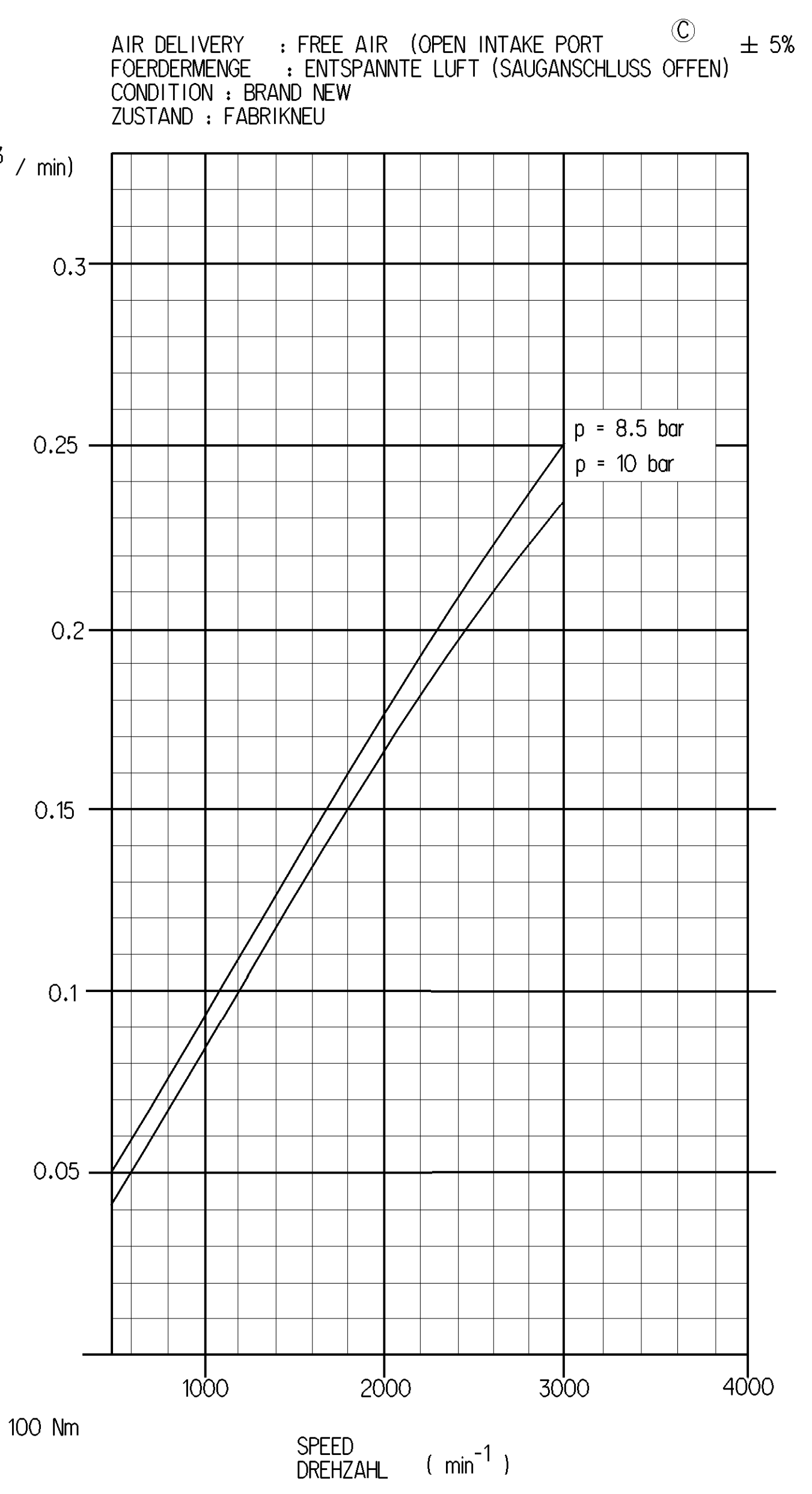
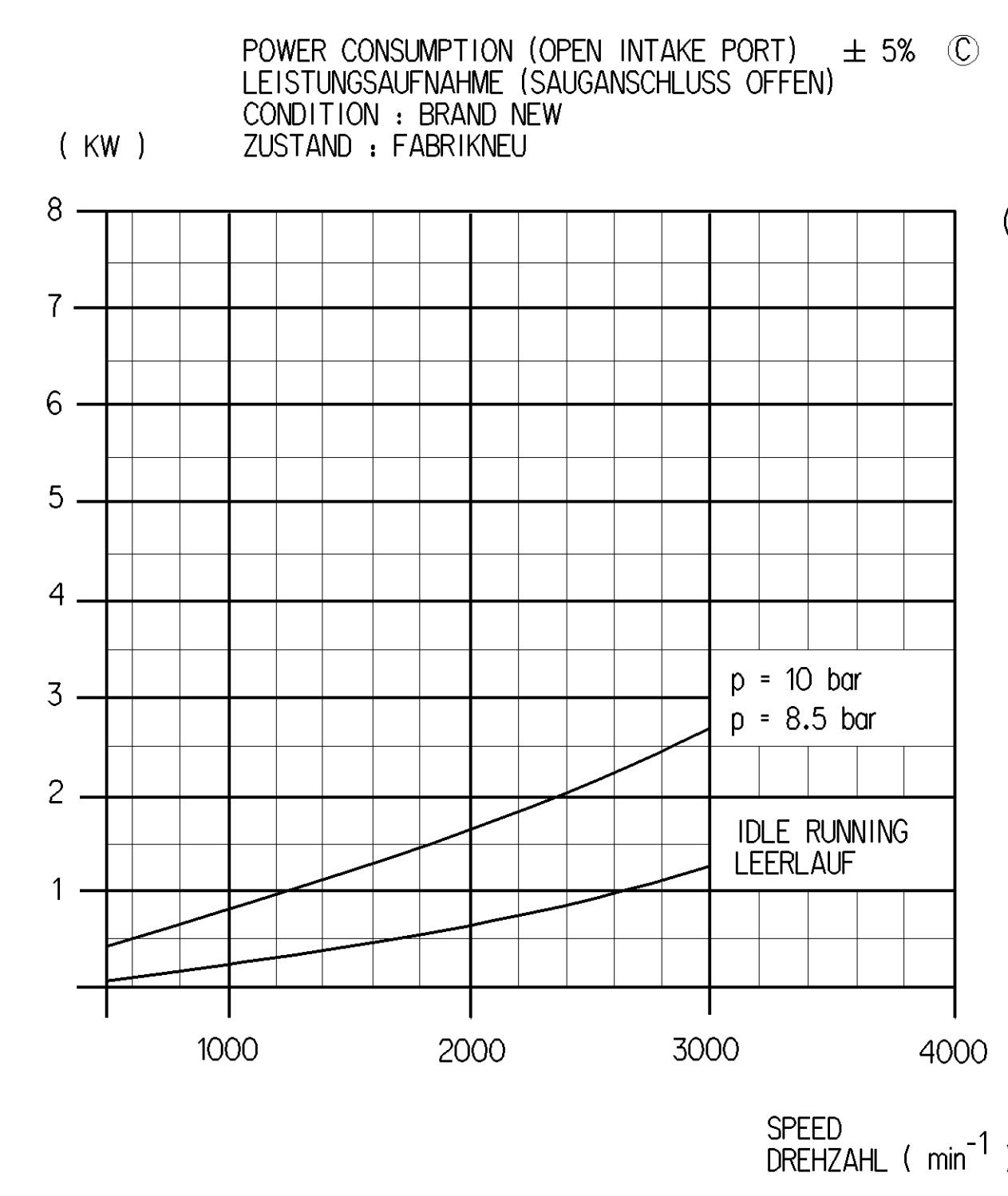


RESULTANT BELT FORCE  
AT 60 mm CANTILEVER  
RESULTIERENDE RIEMENKRAFT Fmax=2000N  
BEI 60 mm AUSKRUGUNG



BORE: BOHRUNG:	Ø75 mm
STROKE: HUB:	36 mm
SWEPT VOLUME: HUBRAUM:	159 cm <sup>3</sup>
MAX. WORKING SPEED: MAX. BETRIEBSDREHZAHL:	$n_{max} = 3000 \text{ min}^{-1}$
OVERSPEED (TEMPORARY MAX. 4 SEC.): UEBERDREHZAHL (KURZZEITIG MAX. 4 SEC.):	$n_{ue} = 1.3 \cdot n_{max}$
MAX. WORKING PRESSURE: MAX. BETRIEBSDRUCK:	$p = 8.5 \text{ bar}$ (C)
MAX. PRESSURE AT DISCHARGE PORT: HOECHSTDRUCK AM DRUCKSTUTZEN:	$p = 10 \text{ bar}$ (C)
SHORT TERM MAX. PRESSURE AT DISCHARGE PORT (TEMPORARILY ≤ 4 SEC.): KURZZEITIGER HOECHSTDRUCK AM DRUCKSTUTZEN (KURZZEITIG ≤ 4 SEC.):	$p = 12 \text{ bar}$ (C)
REQUIRED COOLING AIR SPEED: ERFORDERLICHE KUEHLLUFTGESCHWINDIGKEIT:	$\leq 8 \text{ bar } 4 \text{ m/s}$ $> 8 \text{ bar } 6 \text{ m/s}$
END PLAY OF CRANKSHAFT: AXIALSPIEL DER KURBELWELLE:	0.2...0.6 mm
MAX. PERMISSIBLE TILT DURING CONTINUOUS WORKING: MAX. ZULAESSIGE NEIGUNG IM DAUERBETRIEB:	
LUBRICATION: LUBRICATION SUPPLIED FROM ENGINE SCHMIERART: UMLAUFSCMIERUNG MIT DRUCKOELANSCHLUSS	



- 0 = INLET PORT  
SAUGANSCHLUSS M= 100 Nm
- 2 = DISCHARGE PORT  
DRUCKANSCHLUSS M= 100 Nm
- 8.1 = OIL SUPPLY  
DRUCKOELANSCHLUSS M= 15 Nm
- 8.2 = OIL DRAIN  
OELRUECKLAUF M= 60 Nm

PORTS PROTECTED  
ANSCHLUESSE GESCHUETZT

(...) AUXILIARY DIMENSION  
HILFSMASS

General Specification: ISO 554-1 - Size: ISO 14400 LP	Copyright: WABCO	<b>WABCO</b>	
Further Technical Data:	Date: 2015-03-11	SINGLE CYLINDER COMPRESSOR EINZYLINDERKOMPRESSOR	
Doc. Code: 2015-03-11	Sheet: 1 of 1	Material No.: 411 141 501 0	
General Tolerances: ISO 201	Drawn: Wiedemann	Date of 1st Issue: 005 DE 1/1	
Range of Nominal Dimensions (± mm):	Checked: Herzog	Scale: 1:1	
Class 11 ± 0.10	Approved: O.Brandt	Size: 17 x C	
Class 12 ± 0.15	Released: 16745	5000	
Class 13 ± 0.20	Drawn: 17 x C	41145000 of 97-11-10	
Class 14 ± 0.30	Checked: A.O.	C	
Class 15 ± 0.40	Released: OED	16745	
Class 16 ± 0.50	Approved: OED	16745	
Class 17 ± 0.60	Released: OED	16745	
Class 18 ± 0.80	Approved: OED	16745	
Class 19 ± 1.00	Released: OED	16745	
Class 20 ± 1.50	Approved: OED	16745	
Class 21 ± 2.00	Released: OED	16745	
Class 22 ± 3.00	Approved: OED	16745	
Class 23 ± 4.00	Released: OED	16745	
Class 24 ± 5.00	Approved: OED	16745	
Class 25 ± 6.50	Released: OED	16745	
Trapped Holes acc.:	Approved: OED	16745	
Tolerance Class Applied: Conventional	Released: OED	16745	

√ Rmax 25