

1
2
3
4
5
6
7
8
9
10
11
12

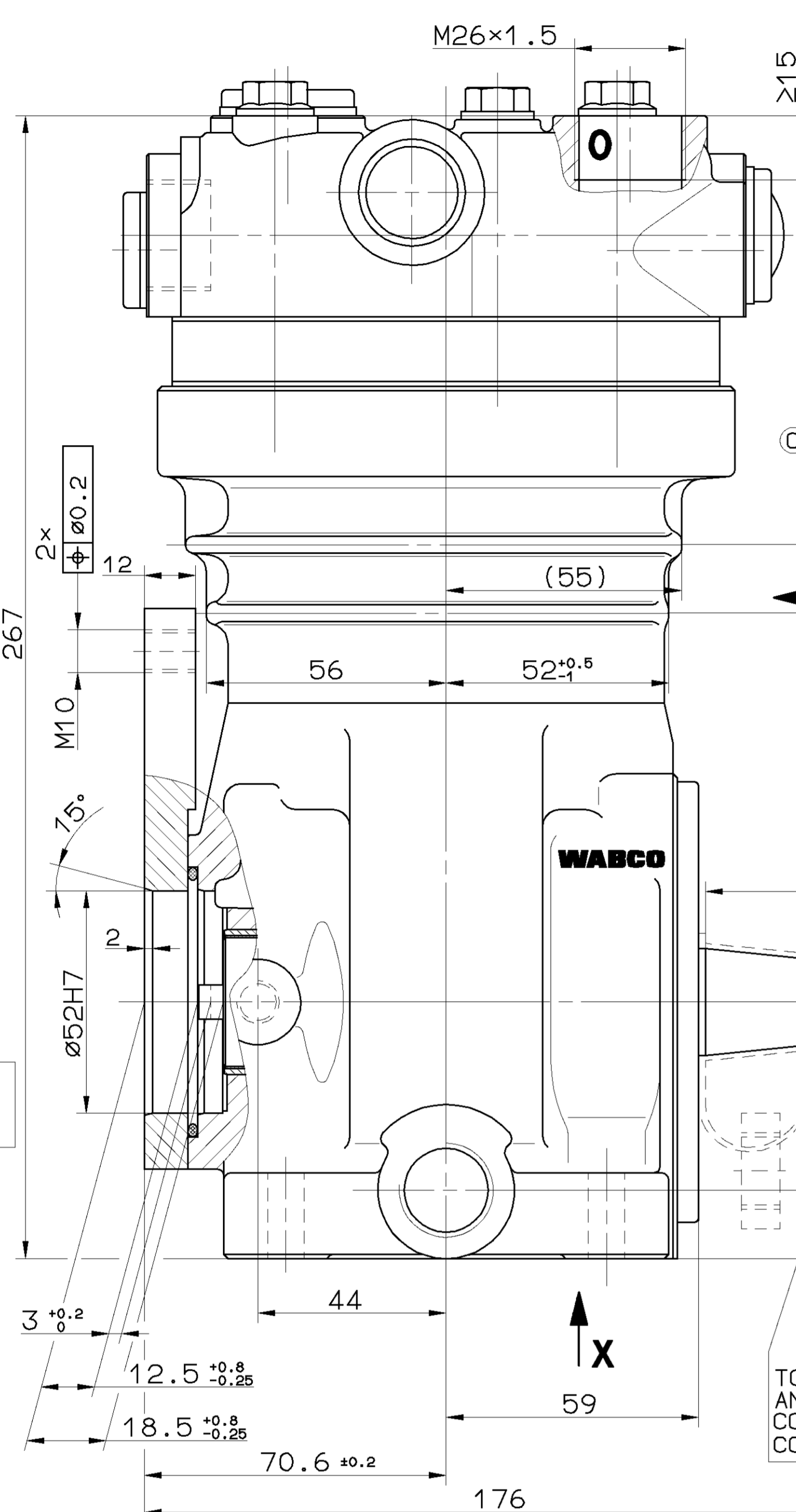
0 = INLET PORT
SAUGANSCHLUSS M ≤ 100 Nm
ASPIRATION
ASPIRAZIONE

2 = DISCHARGE PORT
DRUCKANSCHLUSS M ≤ 100 Nm
REFOULEMENT
COMPRESSIÖE

9.1/9.2 = COOLANT CONNECTION
KUEHLMITTELANSCHLUSS M ≤ 60 Nm
CONNEXION DE FLUIDE DE REFRIGERISSMENT
COLLEGAMENTO LIQUIDO REFRIGERANTE

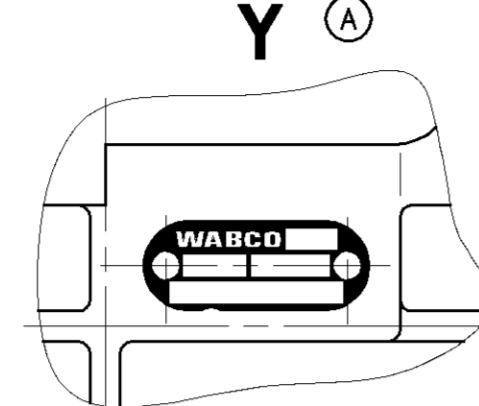
9.1 → **9.2**
9.2 → **9.1** DIRECTIONS OF FLOW
DURCHSTROEMRICHTUNGEN
SENS DE PASSAGE
SENSO DI FLUSSO

ø52H7 +0.030



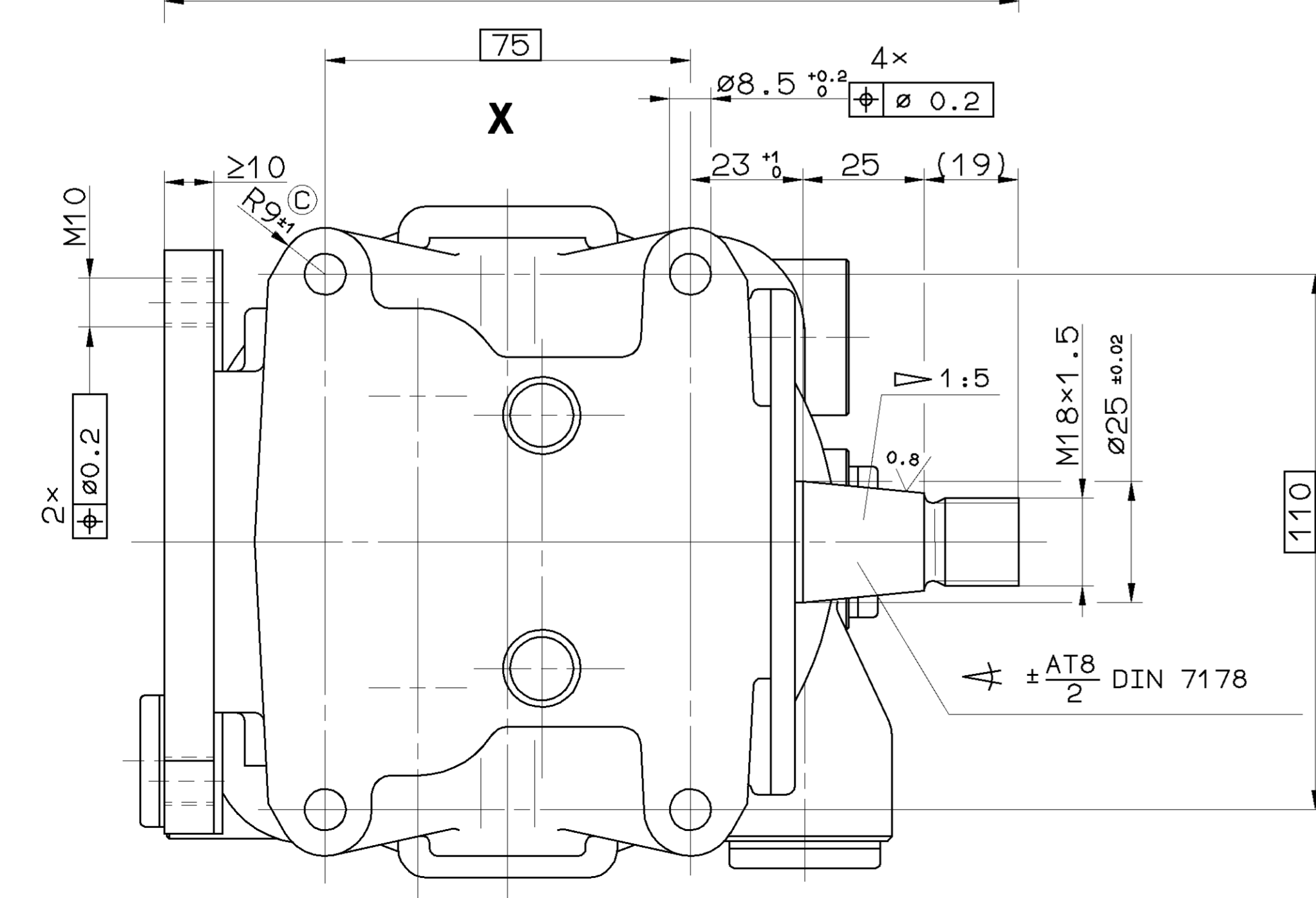
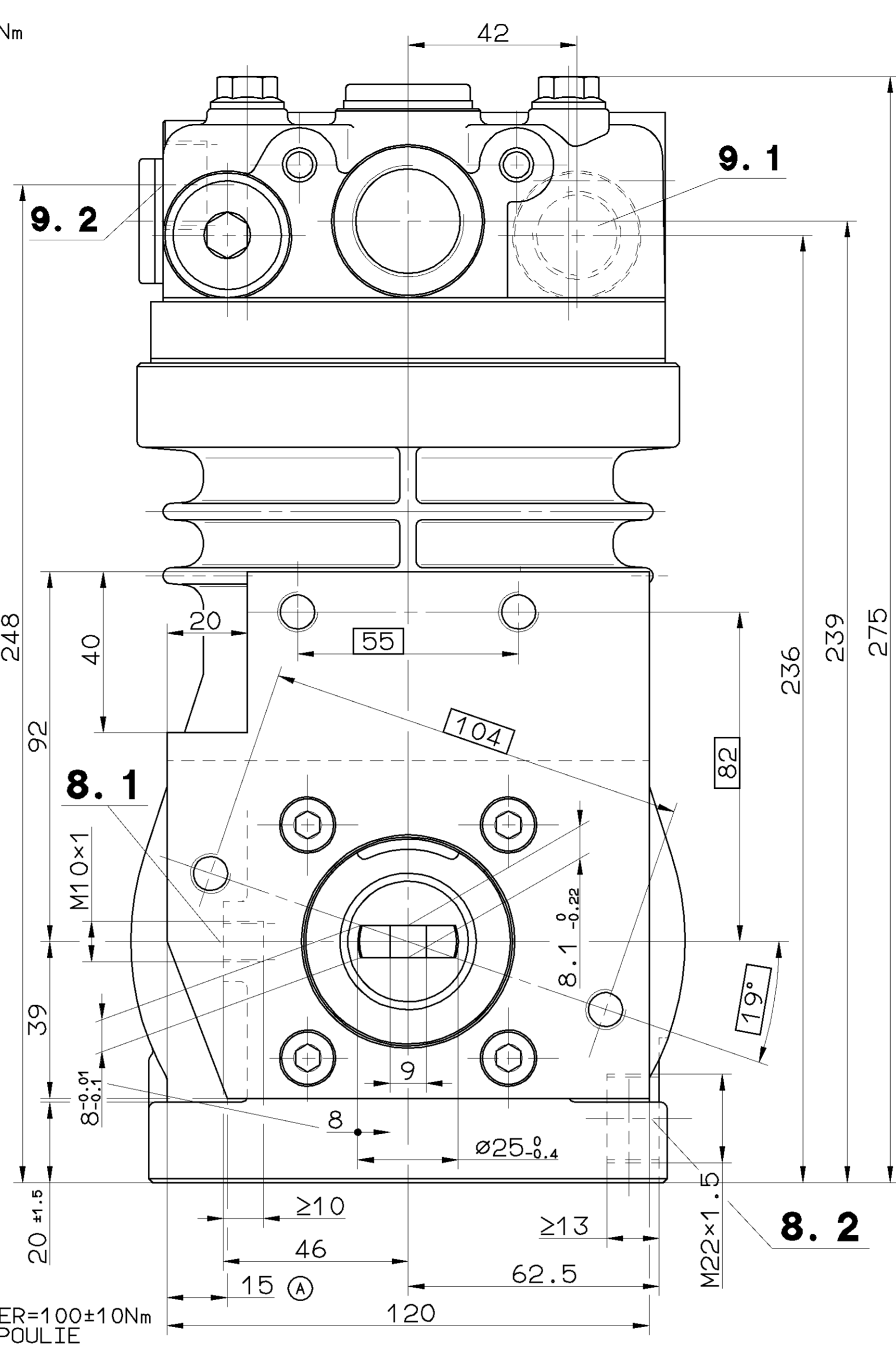
8.1 = OIL SUPPLY
DRUCKOELANSCHLUSS M ≤ 25 Nm
ORIFICE D'ARRIVEE D'HUILE
ORIFIZIO D'ARICO OLIO

8.2 = OIL DRAIN
OELRUECKLAUF M ≤ 60 Nm
RETOUR D'HUILE
RETORNO OLIO



RESULTANT BELT FORCE AT 60 mm CANTILEVER
RESULTIERENDE RIEMENKRAFT F_{max}=2000N
BEI 60 mm AUSKRÄGUNG

TORQUE OF BELT PULLEY NUT
ANZUGSMOMENT DER RIEMENSCHIBENMUTTER=100±10Nm
COUPLE DE SERRAGE DE L'ECROU DE LA POULIE
COPPIA DI SERRAGGIO DEL DADO DELLA PULEGGIA



TECHNICAL DATA
TECHNISCHE DATEN
CARACTERISTIQUES TECHNIQUES
CARATTERISTICHE TECNICHE

BORE: BOHRUNG: ALESAGE: ALESAGGIO: ø90 mm

STROKE: HUB: COURSE: COURSA: 36 mm

SWEPT VOLUME: HUBRAUM: CYLINDREE: CYLINDRATA: 229 cm³

MAX.WORKING SPEED: MAX.BETRIEBSDREHZAH: VITESSE D'UTILISATION MAXI.: VELOCITA DI ESERCIZIO MAX.: ≤ 8 bar n_{max}= 3200 1/mtn
> 8 bar n_{max}= 3000 1/mtn

OVERSPEED (TEMPORARY MAX. 4 SEC.): UEBERDREHZAH (KURZZEITIG MAX. 4 SEC.): SURVITESSE (DE' COURTE DUREE MAXI. 4 SEC.): SOVRAVELOCITA (BREVE TEMPO SOLO MAX.4 SEC.): n₀₅= 1.3 x n_{max}

MAX.WORKING PRESSURE: MAX.BETRIEBSDRUCK: PRESSION D'UTILISATION MAXI.: PRESSIONE DI ESERCIZIO MAXI.: p_e=18 bar

LUBRICATION: LUBRICATION SUPPLIED FROM ENGINE
SCHMIERART: UMLAUFSCHMIERUNG MIT DRUCKOELANSCHLUSS (UD)
GRAISSAGE: GRAISSAGE PAR CIRCULATION ALIMENTATION PAR LE MOTEUR
LUBRIFICAZIONE: LUBRIFICAZIONE A CIRCOLAZIONE ALIMENTAZIONE DAL MOTORE

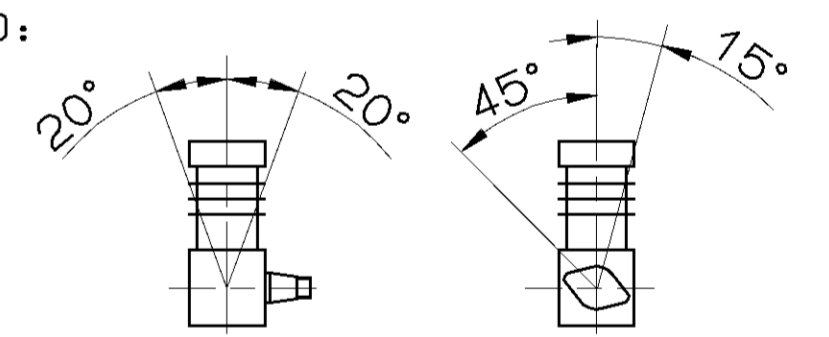
PERFORMANCE DIAGRAM: LEISTUNGSDIAGRAMM: DIAGRAMME DE PUISSANCE: DIAGRAMMA DI POTENZA: 411 142 050 0 (997)

WATER COOLED: REQUIRED QUANTITY COOLING WATER: (n≤2000mtn⁻¹ >6 L/mtn)
WASSERGEKUEHLT: ERFORDERLICHE KUEHLWASSERMENGE: (n>2000mtn⁻¹ >8 L/mtn)
REFROIDESSEMENT PAR EAU: QUANTITE E'EAU NECESSAIRE:
RAFFREDDAMENTO AD ACQUA: AUAANTITA D'AQUA N

MAX. PERMISSIBLE PRESSURE TEMPERATURE IN SERVICE: MAX. ZULAESSIGE DRUCKSTUTZENTEMPERATUR WAEHREND DES FAHRBETRIEBES: 220°C
TEMPERATURE MAX. ADMISSIBLE EN SERVICE: TEMPERATURA MAX. AMMISSIBILE IN SERVIZIO:

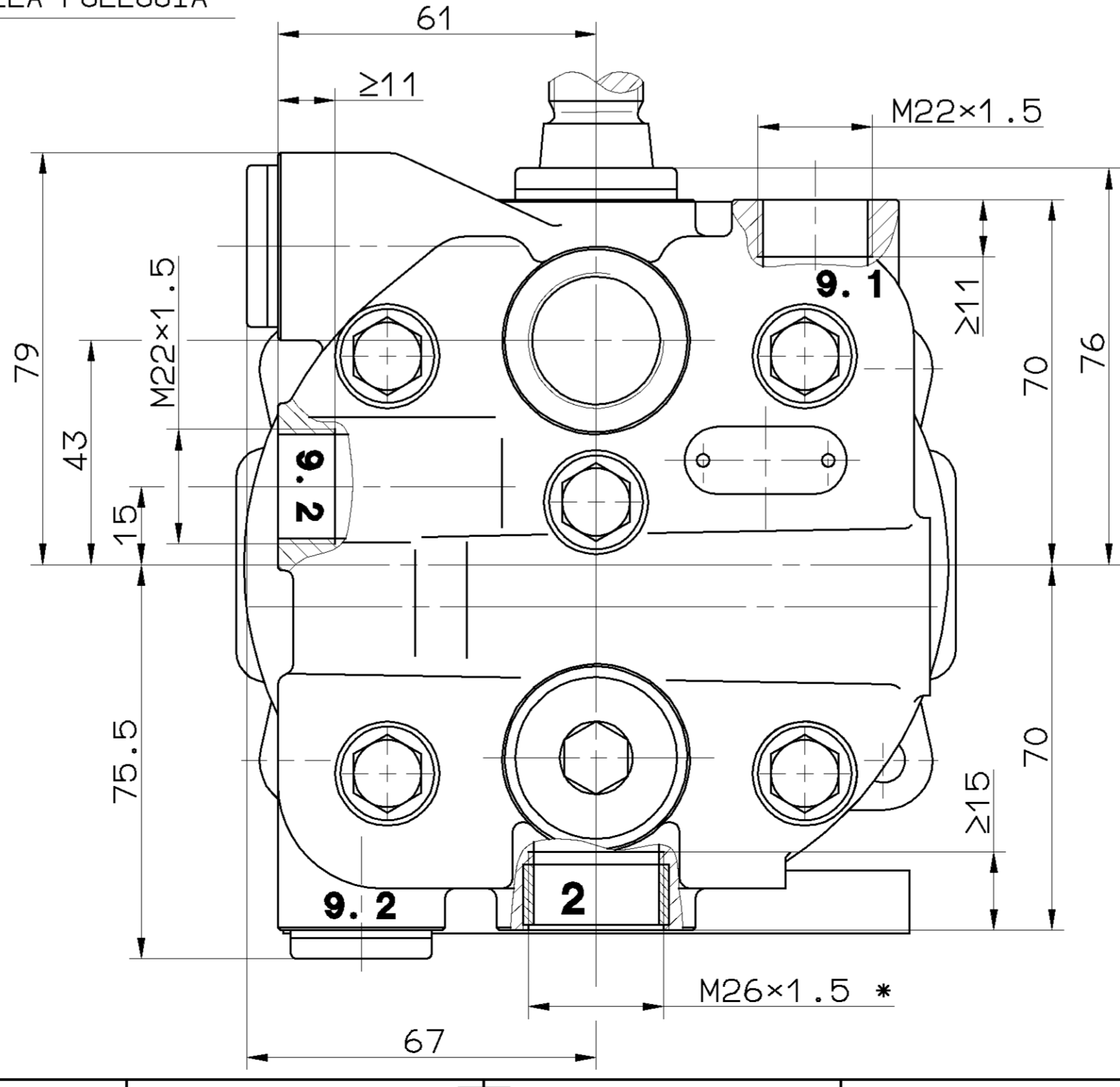
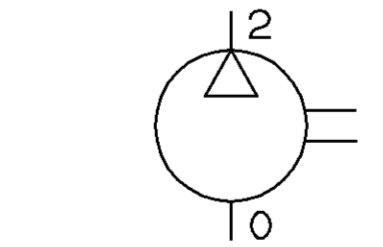
MAX. PERMISSIBLE TILT: MAX. ZULAESSIGE EINBAUNEIGUNG: INCLINAISON ADMISSIBLE MAXI.: INCLINAZIONE AMMISSIBILE MASS.:

END PLAY OF CRANKSHAFT: AXIALSPIEL DER KURBELWELLE: 0.2...0.6
JEU AXIAL DU VILEBREQUIN: GIOCO ASSIALE DELL'ALBERO A GOMITO:



* WITH INSERT (HELI COIL)
MIT GEWINDEEINSATZ (HELI COIL)
Avec FILET RAPPORTE (HELI COIL)
CON INSERTO (HELI COIL)

FREE FROM ASBESTOS
ASBESTFREI
EXEMPT D'AMIANTE
ESENTE D'AMIANTO



| GENERAL SPECIFICATION: | | JOB-334 | | CADAM-DRAWING | | COPYRIGHT | | WABCO | |
|-------------------------|-----|------------------------------------|------|------------------|------|---------------------|--|--|---|
| FURTHER TECHNICAL DATA: | | SHEET: TO | | DATE: SIGNATURE: | | DRAWN: CHECKED: | | 92-08-25 GROSSKOPF 92-08-25 HEGER 92-08-25 PANTZER | |
| GENERAL TOLERANCES | | RANGE OF NOMINAL DIMENSIONS (± mm) | | CLASS 1) | | FINE MEDIALM COARSE | | MASS SCALE: 11.8 kg 1:1 SIZE T.R.I.: 411 142 682 0 TAPPED HOLES ACC: ISO 4039 / JED-162 1) TOLERANCE CLASS APPLIED CROSSHATCHED | |
| | ≤50 | >50 | >180 | ≤180 | ≤400 | >400 | | | PRODUCT IDENTIFICATION NO. 411 142 682 0 DOC. CODE 605 SHEET 1/1 TAPPED HOLES ACC: ISO 4039 / JED-162 DEN-NO. REV. DATE |
| | 0,5 | 1,0 | 1,5 | 2,0 | | | | | DRAWING NO. 065548 SCALE 8×C TAPPED HOLES ACC: ISO 4039 / JED-162 DEN-NO. REV. DATE |
| | 1,0 | 2,0 | 3,0 | 4,0 | | | | | DRAWING NO. 059233 SCALE 2×B TAPPED HOLES ACC: ISO 4039 / JED-162 DEN-NO. REV. DATE |
| | 2,0 | 3,5 | 5,0 | 6,5 | | | | | DRAWING NO. 059207 SCALE 4×A TAPPED HOLES ACC: ISO 4039 / JED-162 DEN-NO. REV. DATE |

A
B
C
D
E
F
G
H

10000761600104 08
0605653