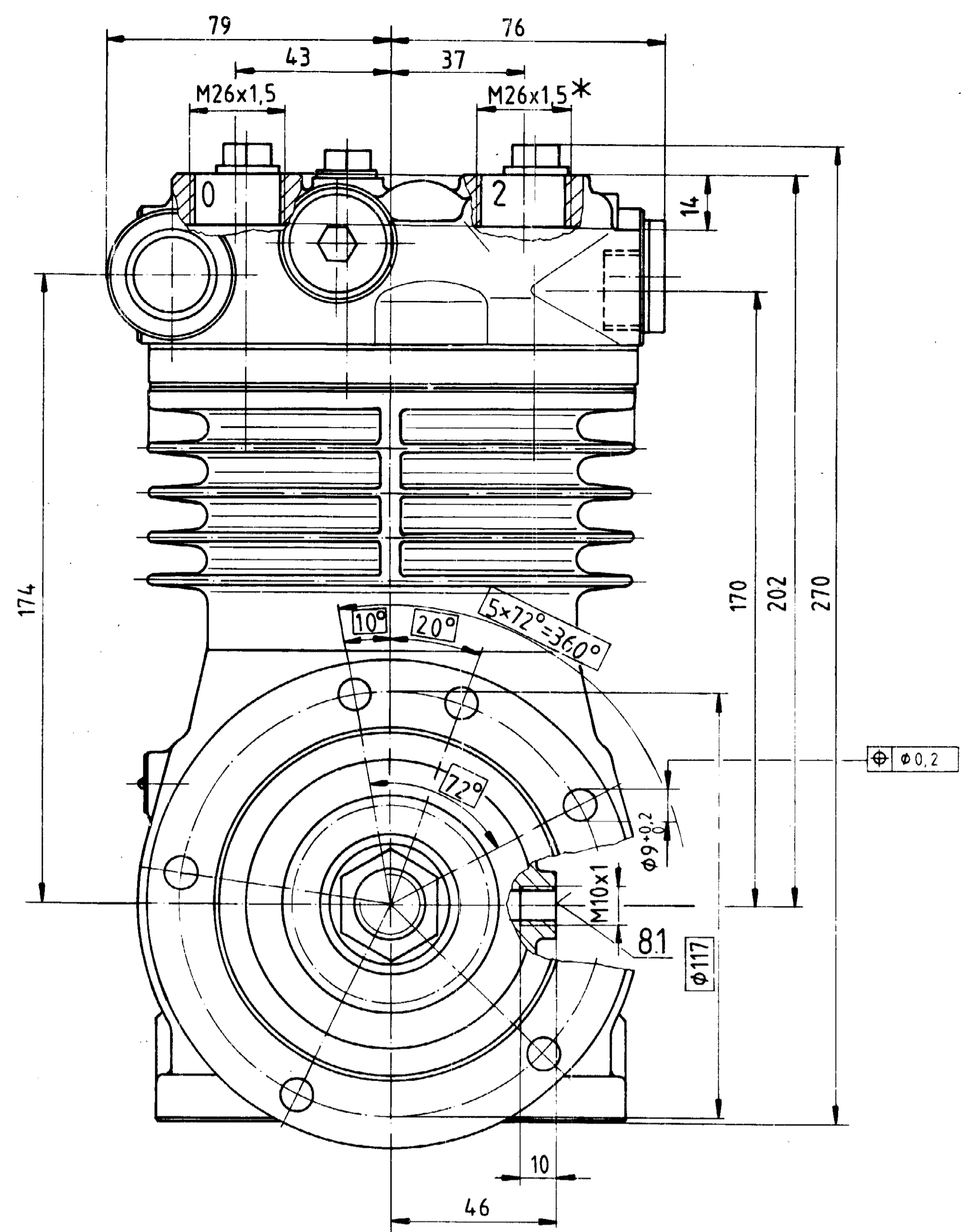
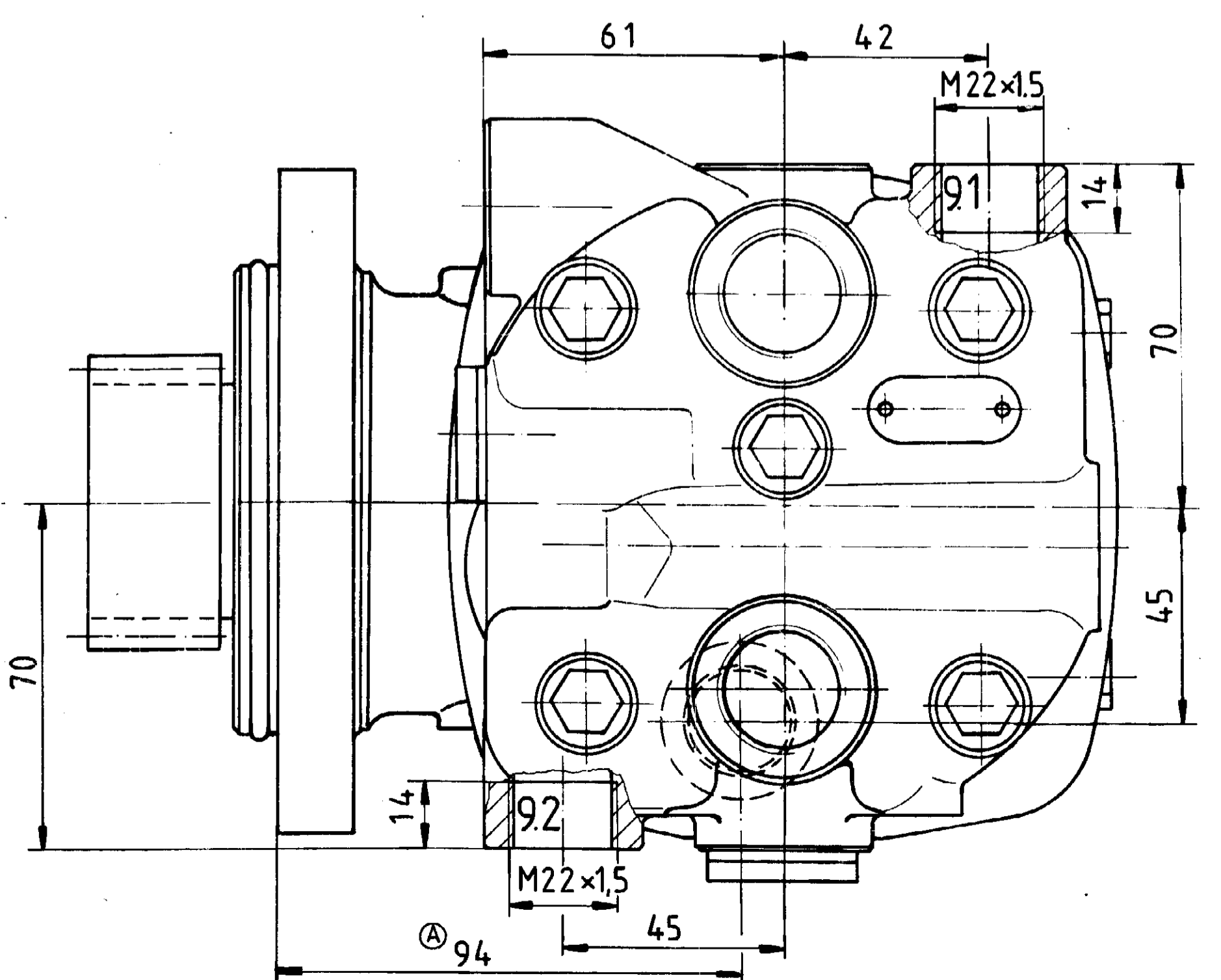
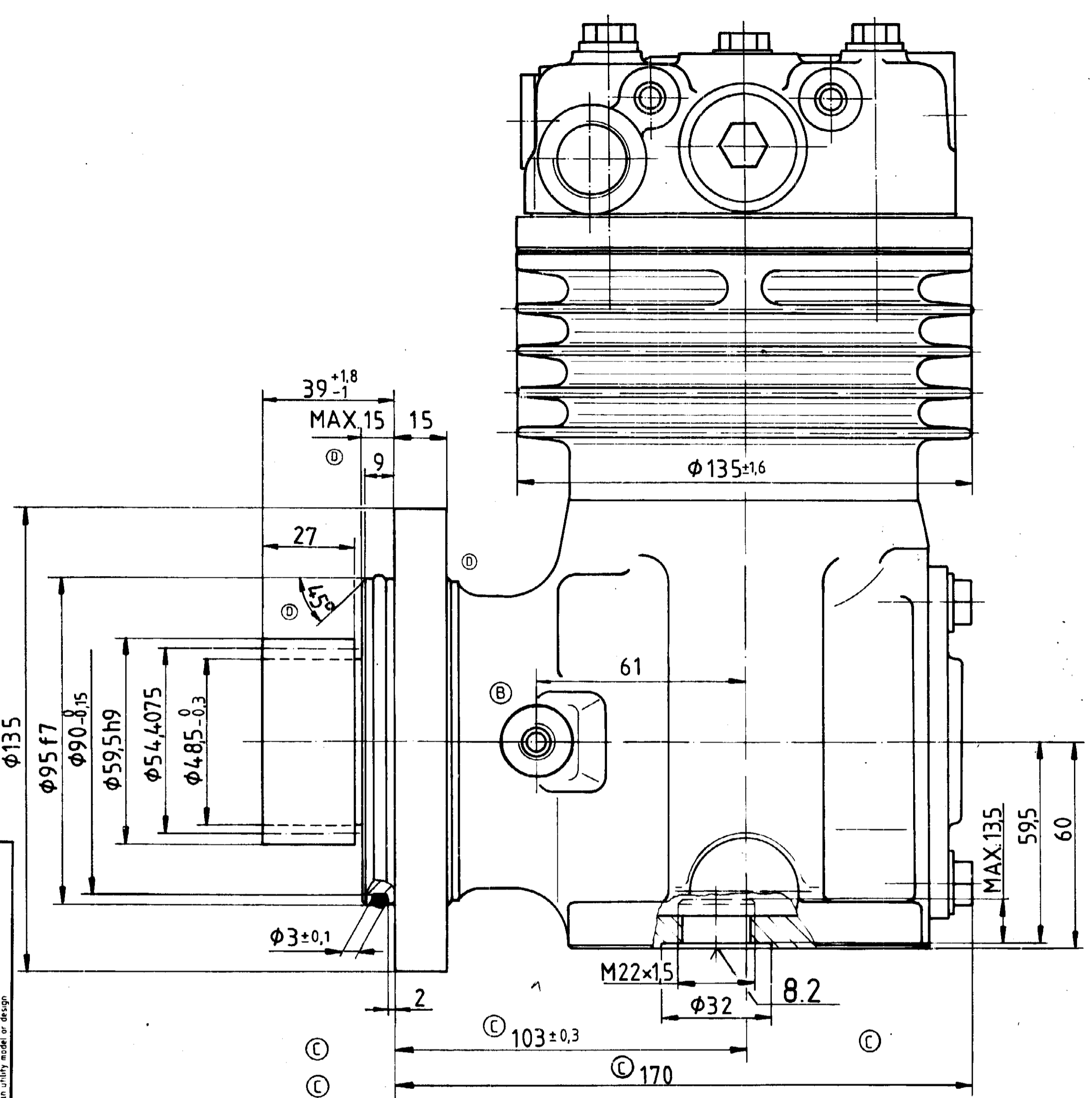


A
B
C
D

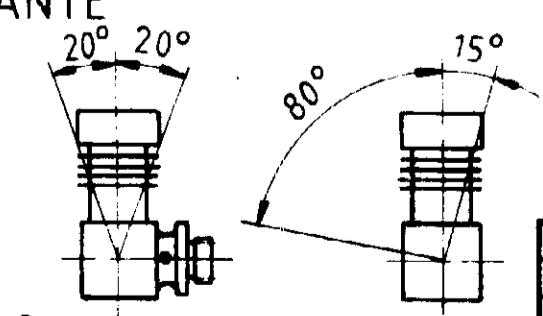


- 0= INLET PORT
SAUGANSCHLUSS
ASPIRATION
ASPIRAZIONE
- 2= DISCHARGE PORT
DRUCKANSCHLUSS
REFOULEMENT
COMPRESSIOME
- 8.1= OIL SUPPLY
DRUCKOELANSCHLUSS
ORIFICE D' ARRIVEE D' HUILE
ORIFIZIO D ARRICO OLIO
- 8.2= OIL DRAIN
OELRUECKLAUF
RETOUR D' HUILE
RETORNO OLIO
- 9.1= COOLANT CONNECTION
KUEHLMITTELANSCHLUSS
- 9.2= CONNEXION DE FLUIDE DE REFROIDISSEMENT
COLLEGAMENTO LIQUIDO REFRIGERANTE

* WITH INSERT (HELI COIL)
MIT GEWINDEINSATZ (HELI COIL)
AVEC FILET RAPPORTE (HELI COIL)
CON INSERTO (HELI COIL)

MAX. PERMISSIBLE TILT
MAX. ZULAESSIGE EINBAUNEIGUNG
INCLINAISON ADMISSIBLE MAXI
INCLINAZIONE AMMISSIBILE MASS

DIRECTIONS OF FLOW
DURCHSTROMRICHTUNGEN
SENS DE PASSAGE
SENSO DI FLUSSO



| FURTHER TECHNICAL DATA SEE | |
|---------------------------------------|-----------------------------|
| IDENTIFICATION No. | 411 147 058 0 |
| CODE FOR DOCUMENT | 605 SHEET 2/3 3/3 TO |
| GENERAL TOLERANCES | |
| CLASS | RANGE OF NOMINAL DIMENSIONS |
| 1 | < 50 |
| 2 | 50 - 180 |
| 3 | 180 - 400 |
| 4 | > 400 |
| TAPPED HOLES ACC. ISO 4039 | |
| 1 TOLERANCE CLASS APPLIED CROSSMARKED | |

| COPYRIGHT BY WABCO | |
|--------------------|----------------|
| DATE | SIGNATURE |
| 1983-11-02 | <i>Duscher</i> |
| CHECKED | |
| 12-11-83 | |
| STANDARDIZATION | |
| 02-11-82 | |

| WABCO | | IDENTIFICATION | |
|----------------------------|-----|---------------------------------------|----------|
| 31604 | 3x0 | 85-04-02 | |
| 23081 | 5x0 | 85-03-25 | |
| 25163 | 1x0 | 84-02-36 | |
| 25160 | 1x0 | 84-02-36 | |
| TAPPED HOLES ACC. ISO 4039 | | 1 TOLERANCE CLASS APPLIED CROSSMARKED | |
| OCN No. | REV | DATE | SCALE |
| | | | A 1 14:1 |
| CODE FOR PRODUCT GROUP | | CODE FOR SHAPE | |
| 500 | | 411 147 058 0 | |
| REPLACEMENT FOR | | 884 005 621 0 | |

This drawing is the property of WABCO. It is to be used only for the purpose for which it was prepared. It is not to be reproduced, stored in a retrieval system, or transmitted in any form or by any means, electronic, mechanical, photocopying, recording, or by any information storage and retrieval system, without the prior written permission of WABCO. All rights are reserved in the event of the grant of a patent or the registration of an utility model or design.