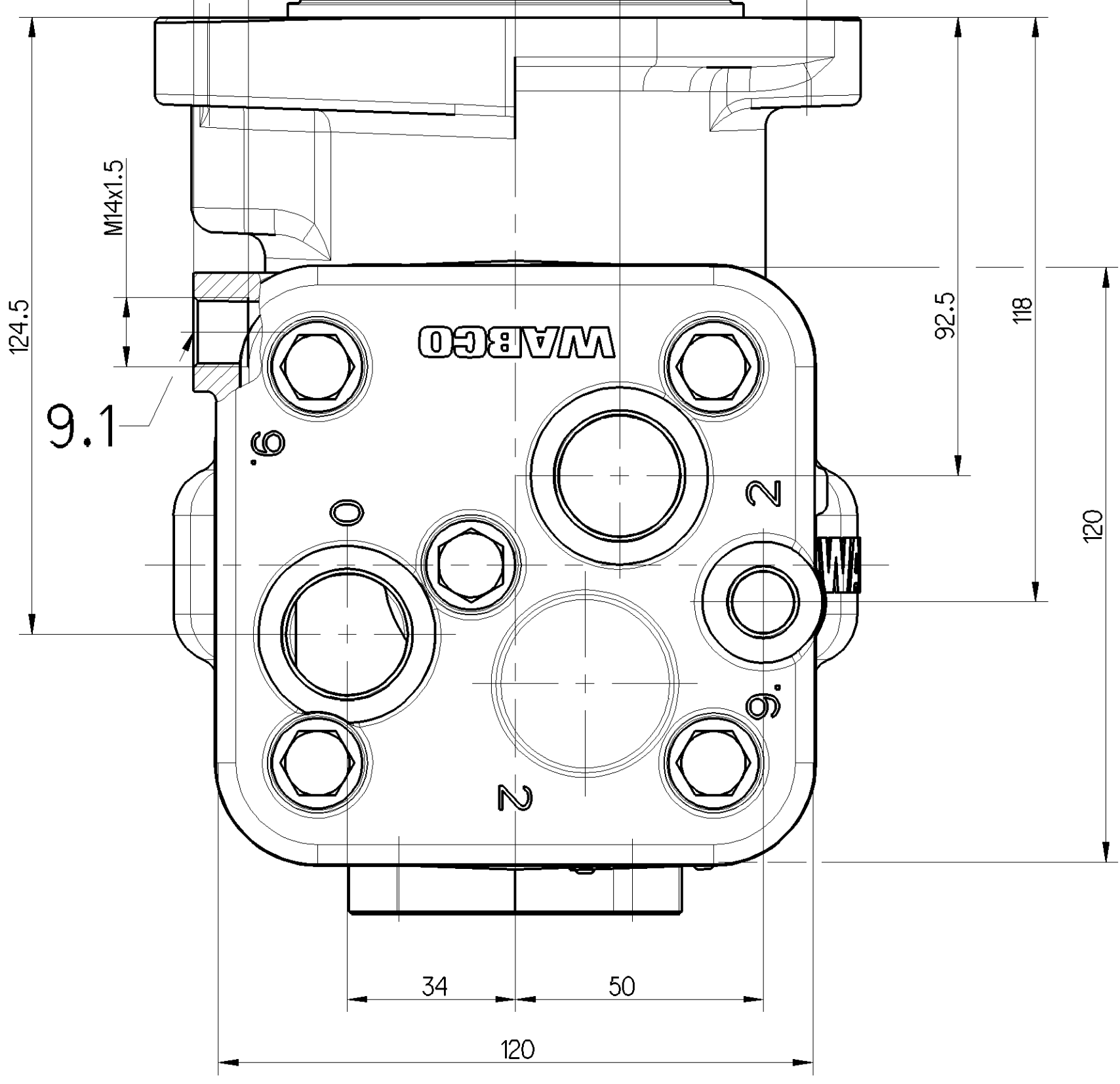
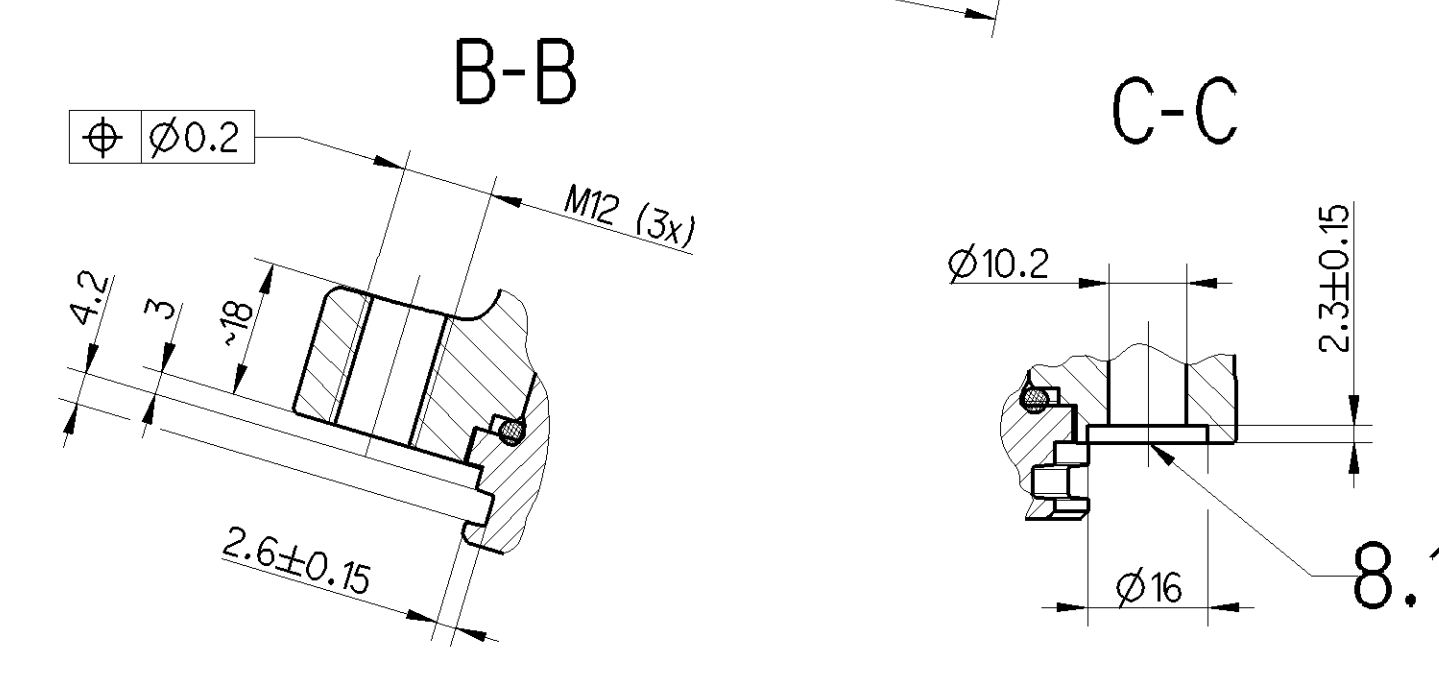
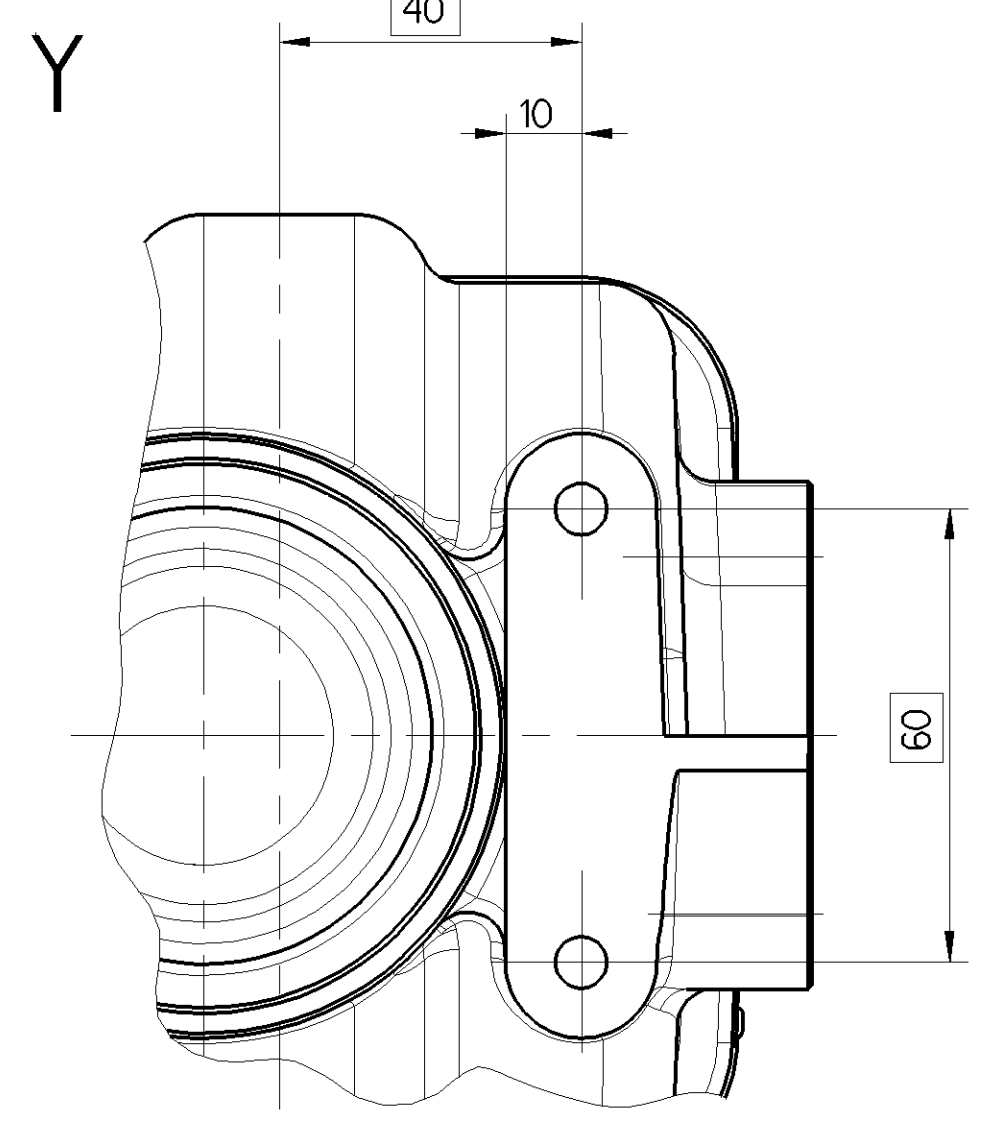
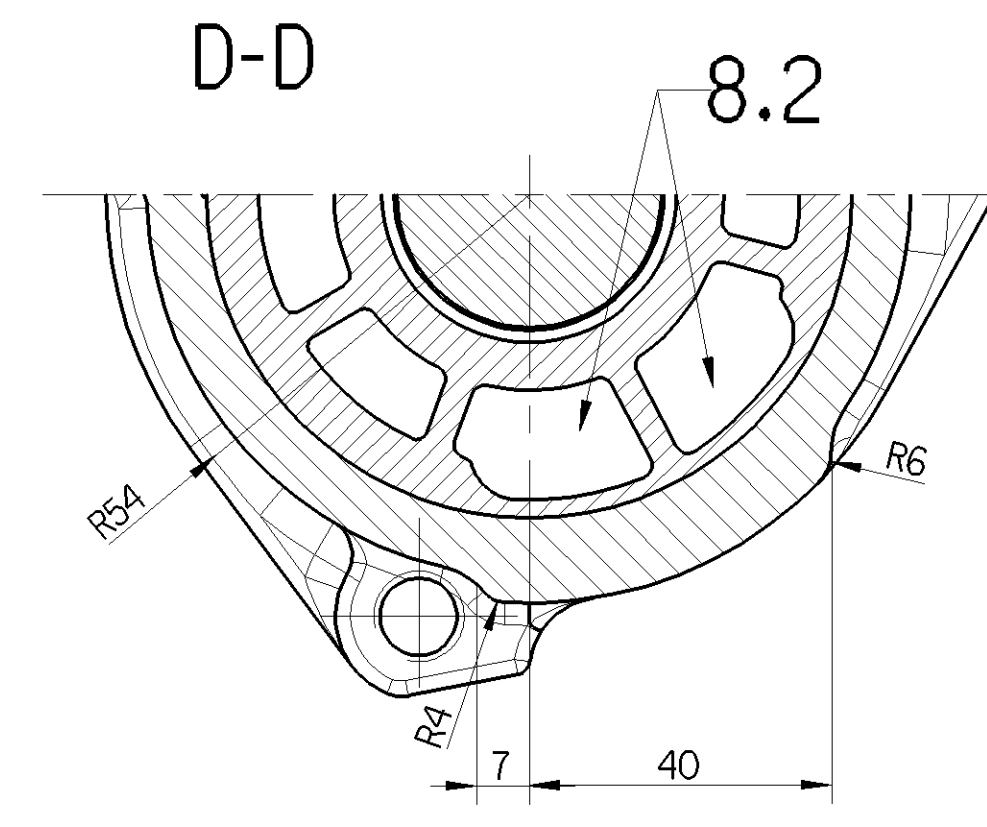
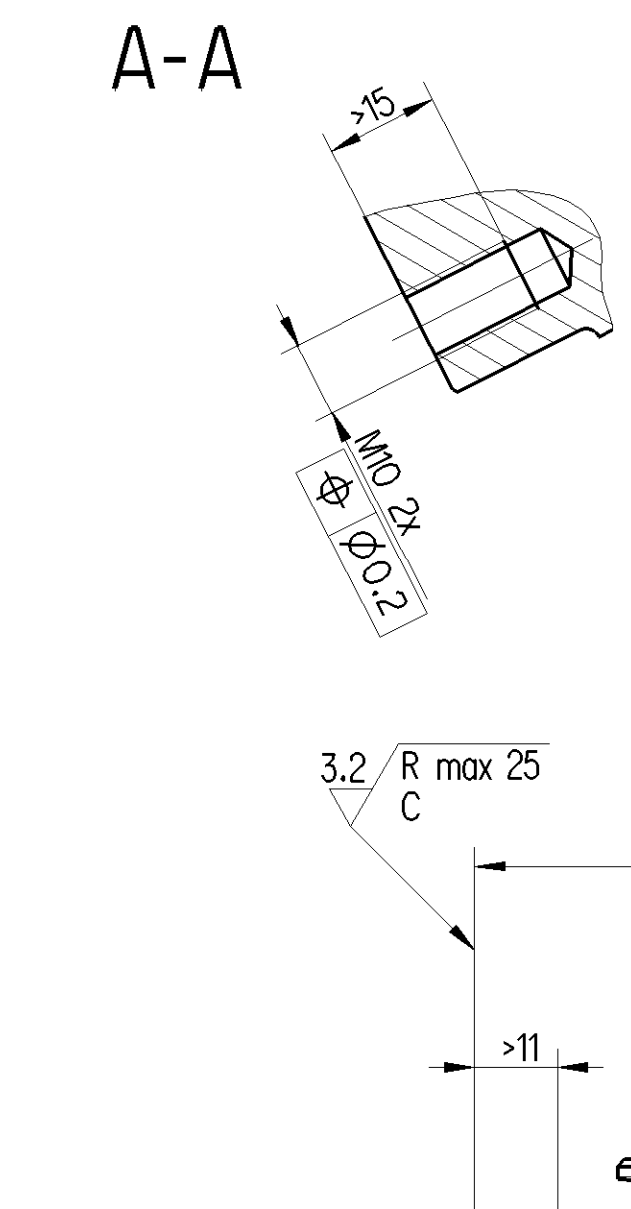
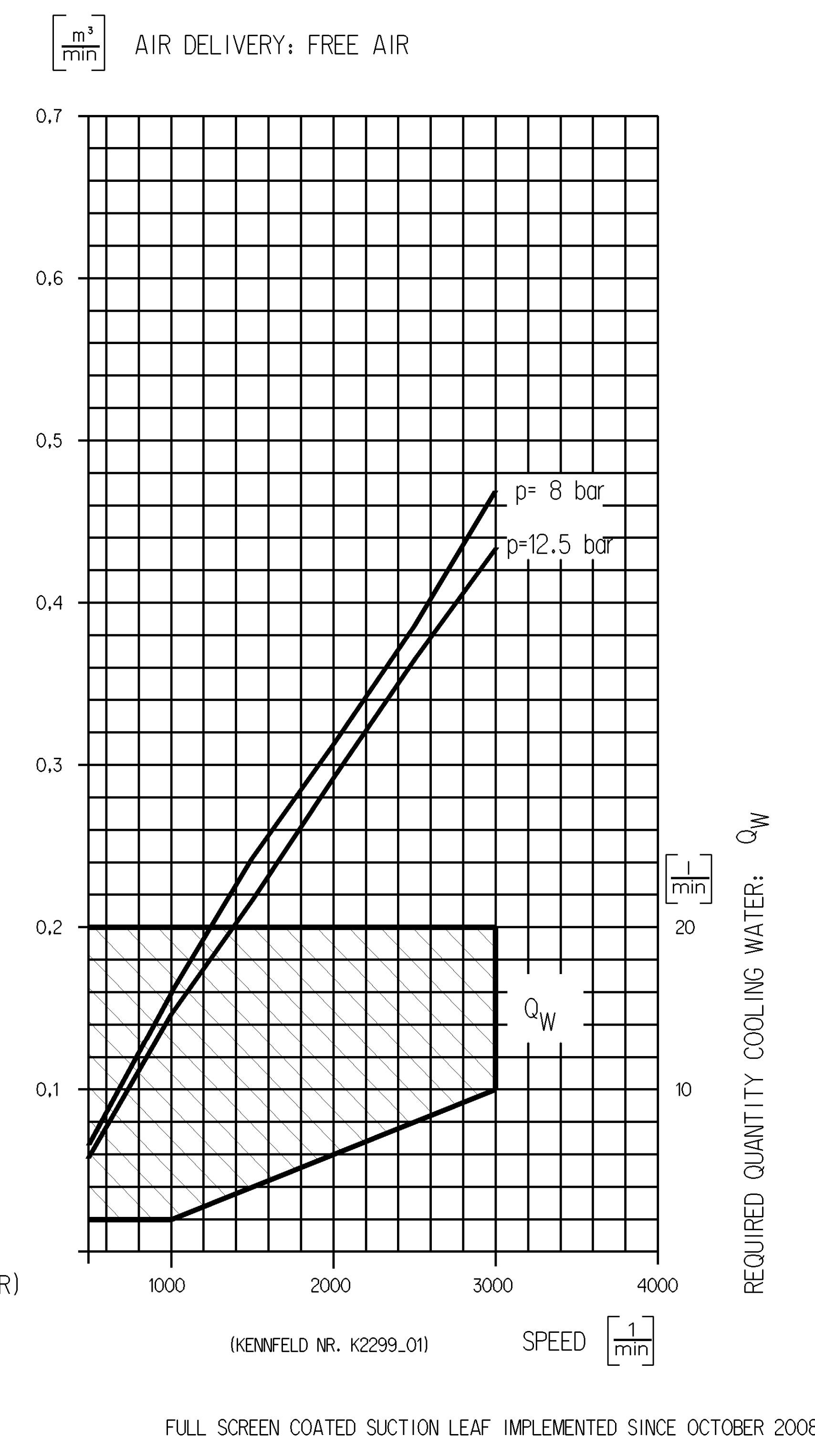
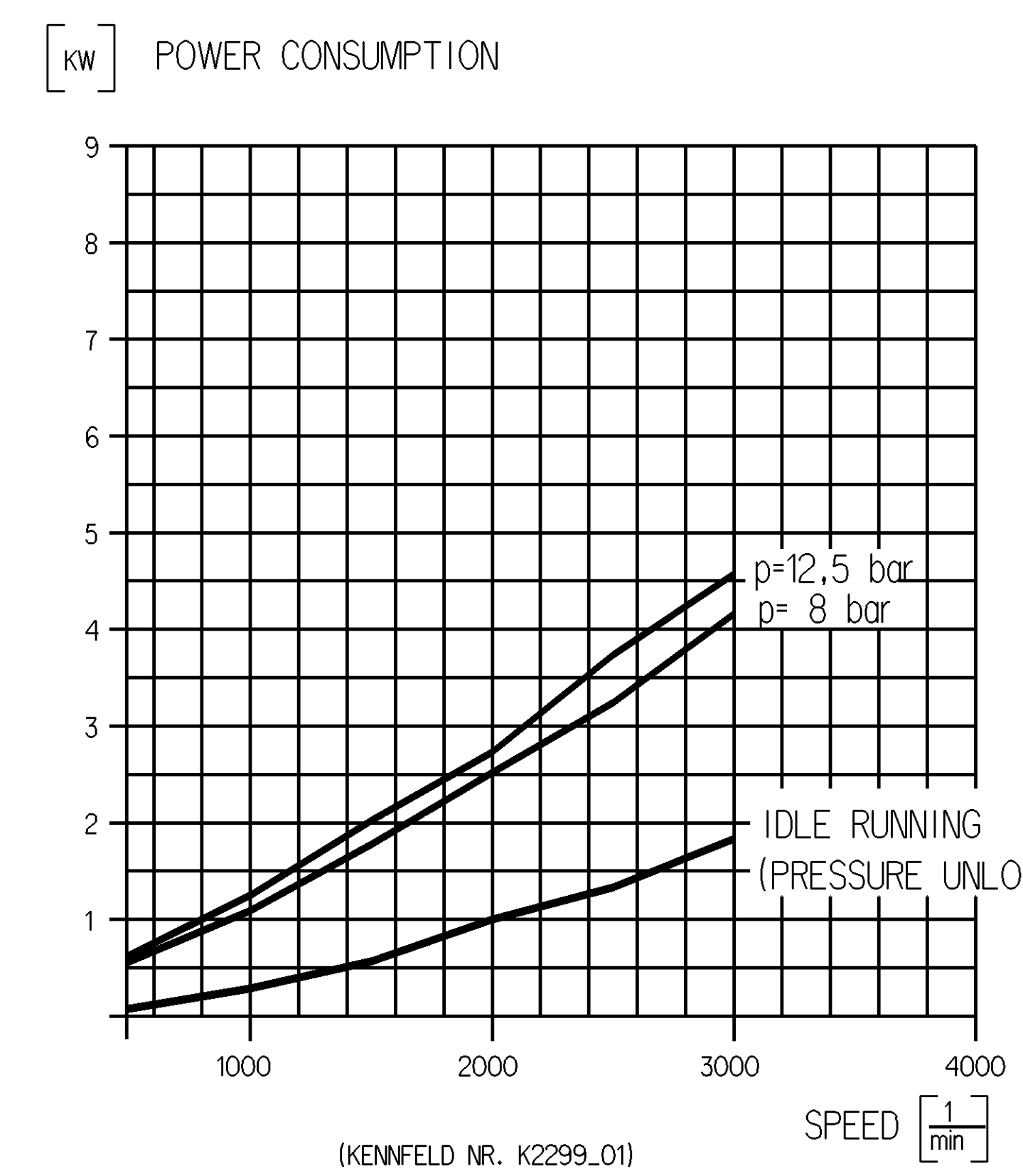
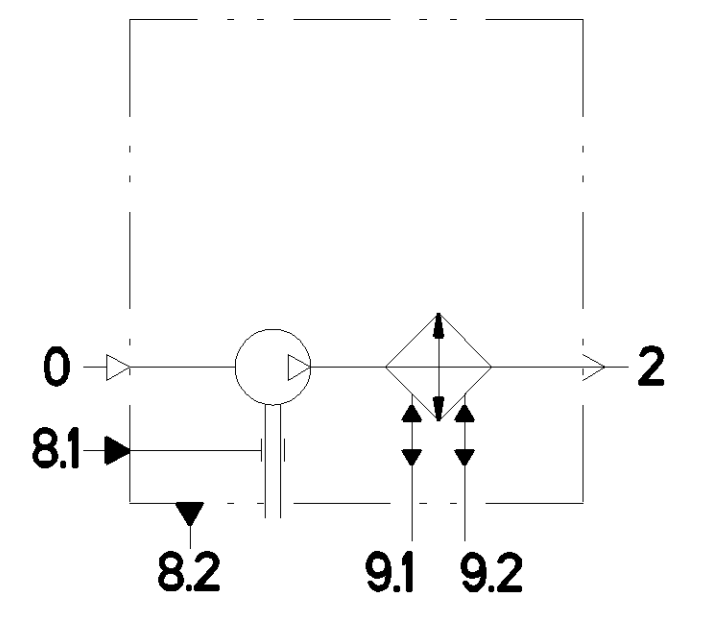


WORKING MEDIUM	AIR
COOLANT	WATER WITH ANTIFREEZE
BORE	∅ 85 mm
STROKE	42 mm
SWEPT VOLUME	238 cm ³
MAX. WORKING SPEED	$n_{max} = 3000 \text{ min}^{-1}$
OVERSPEED (MAX. 4 SEC.)	$n_{ue} = 1.3 \times n_{max}$
MAX. WORKING PRESSURE	$p_e = 12.5 \text{ bar}$
MAX. PRESSURE AT PRESSERPORT	$p_e = 16 \text{ bar}$
MAX. PERMISSIBLE PRESSURE TEMPERATURE IN SERVICE	220 °C
END PLAY OF CRANKSHAFT	0.08 ... 0.38 mm
LUBRICATION SUPPLIED FROM ENGINE	
FREE FROM ASBESTOS	



0	SUCTION PORT	$M \leq 100 \text{ Nm}$
2	DISCHARGE PORT	$M \leq 100 \text{ Nm}$
8.1	OIL SUPPLY	
8.2	OIL DRAIN	
9.1	COOLANT CONNECTION	$M \leq 35 \text{ Nm}$
9.2	COOLANT CONNECTION	$M \leq 35 \text{ Nm}$

9.1 \leftrightarrow 9.2 DIRECTIONS OF FLOW



FULL SCREEN COATED SUCTION LEAF IMPLEMENTED SINCE OCTOBER 2008.

General Specifications: 411 151 004-0		Copyright WABCO®		WABCO	
Further Technical Data: 411 151 004 0		Title: Single		Date of first issue: 2016-12-02	
Doc. Code: 535		Sheet: 1 To 5		Doc. Code: Language: Steel	
Series Tolerances: ISO 201		2016-12-01		Trojko	
Range of Nominal Dimensions (± mm)		2016-12-02		Skoboon	
Class	± 0.1	± 0.15	± 0.2	± 0.25	± 0.3
Mass	1.0	2.0	3.0	4.0	6.5
Coarse	1.0	2.0	3.0	4.0	6.5
Tapped Holes acc.		A 0		CSO	
Tolerance Class Applied Dimensioned		Scale: 1:1		Revision: 005	
		Part No.: 411 151 004 A		EN 1/1	
		Year: 2009		Replacement for:	