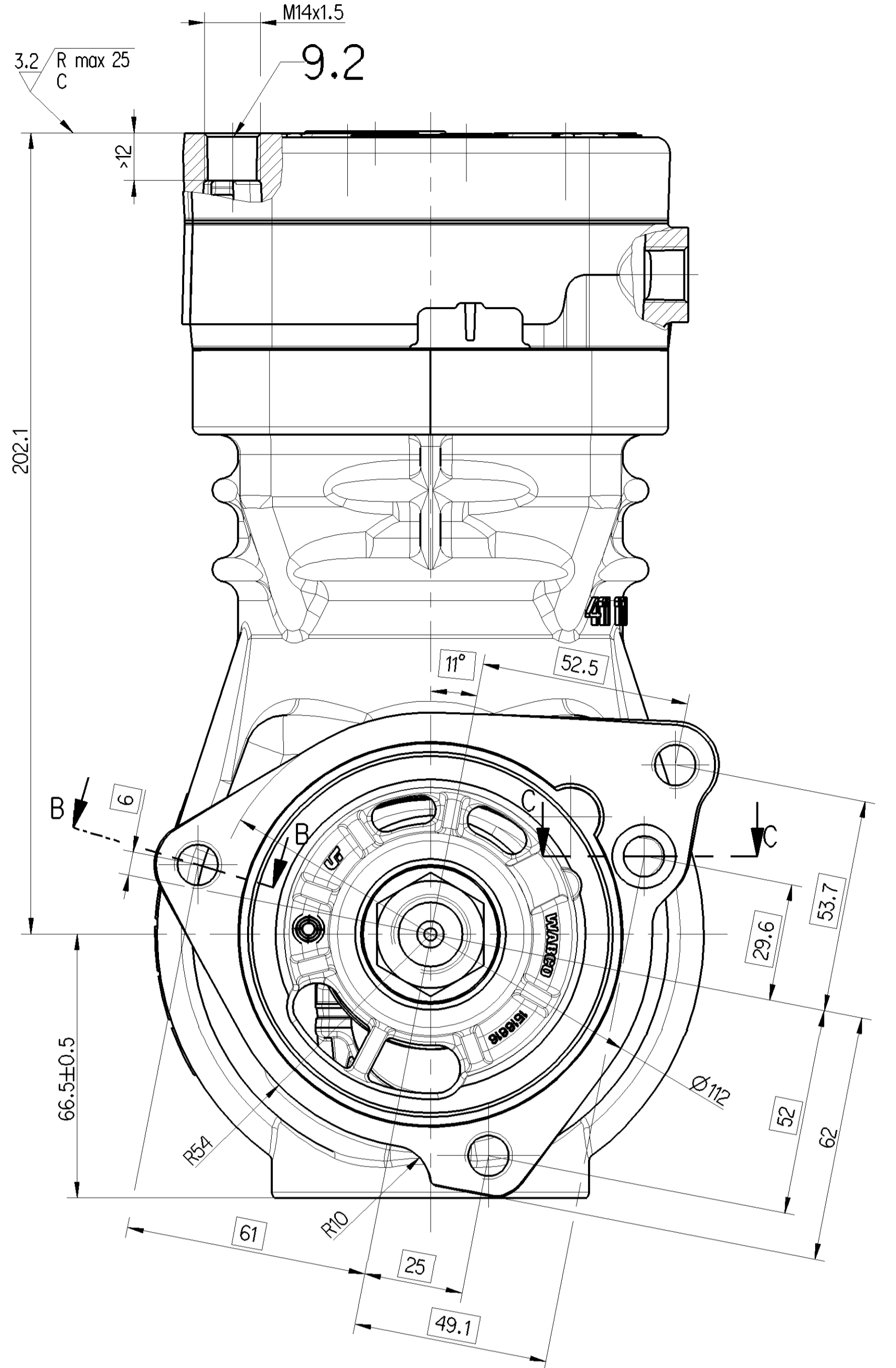
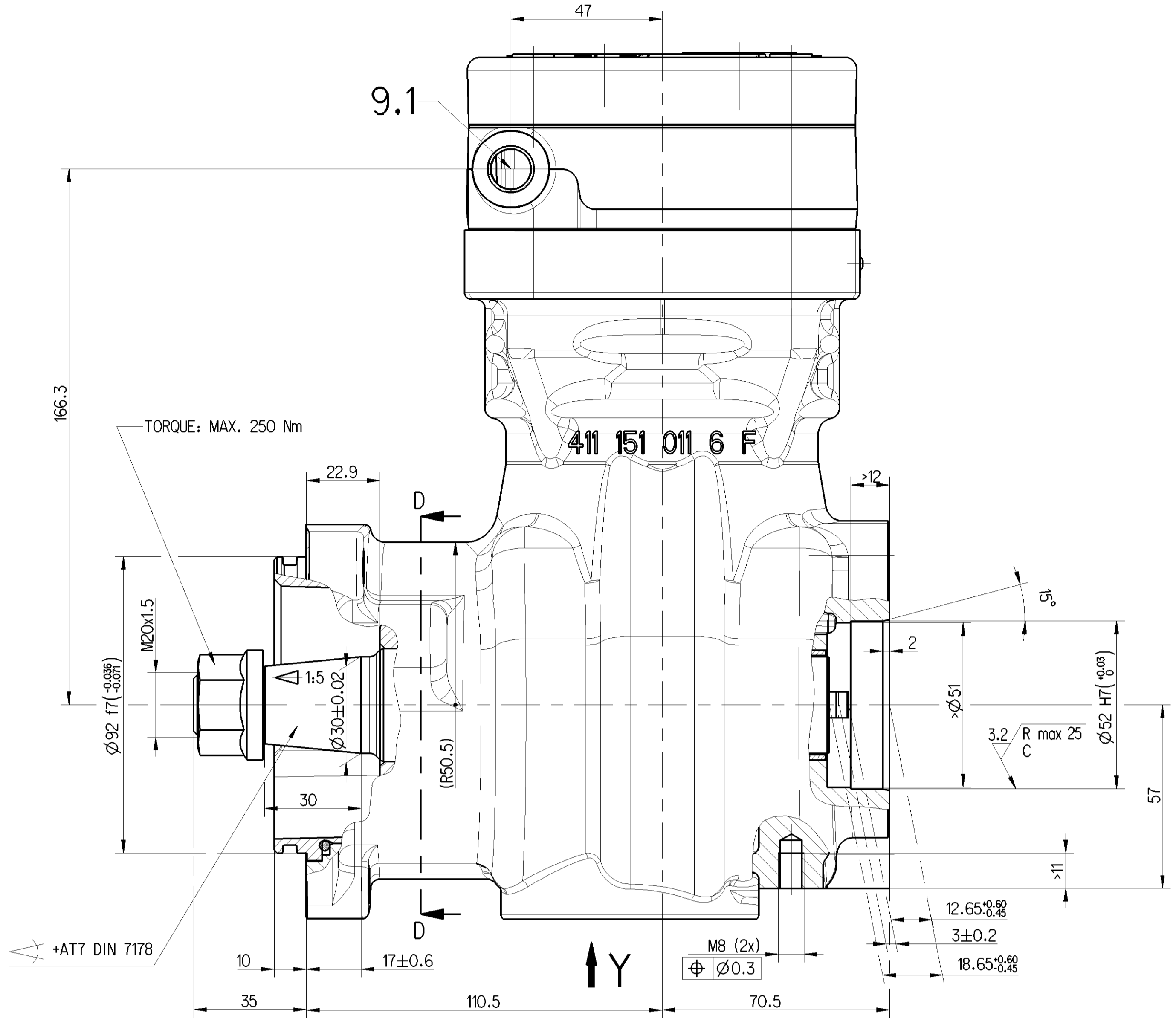
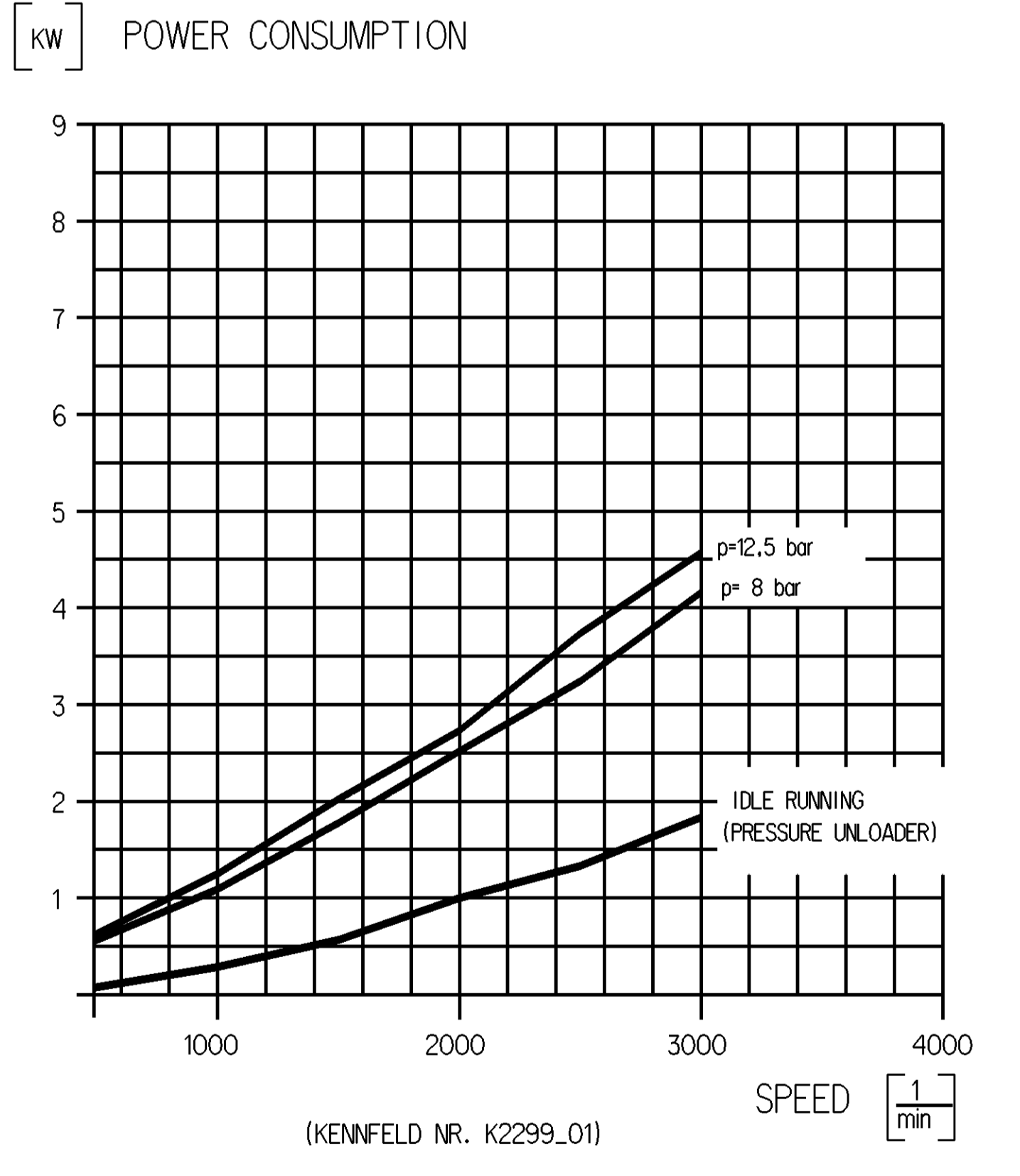
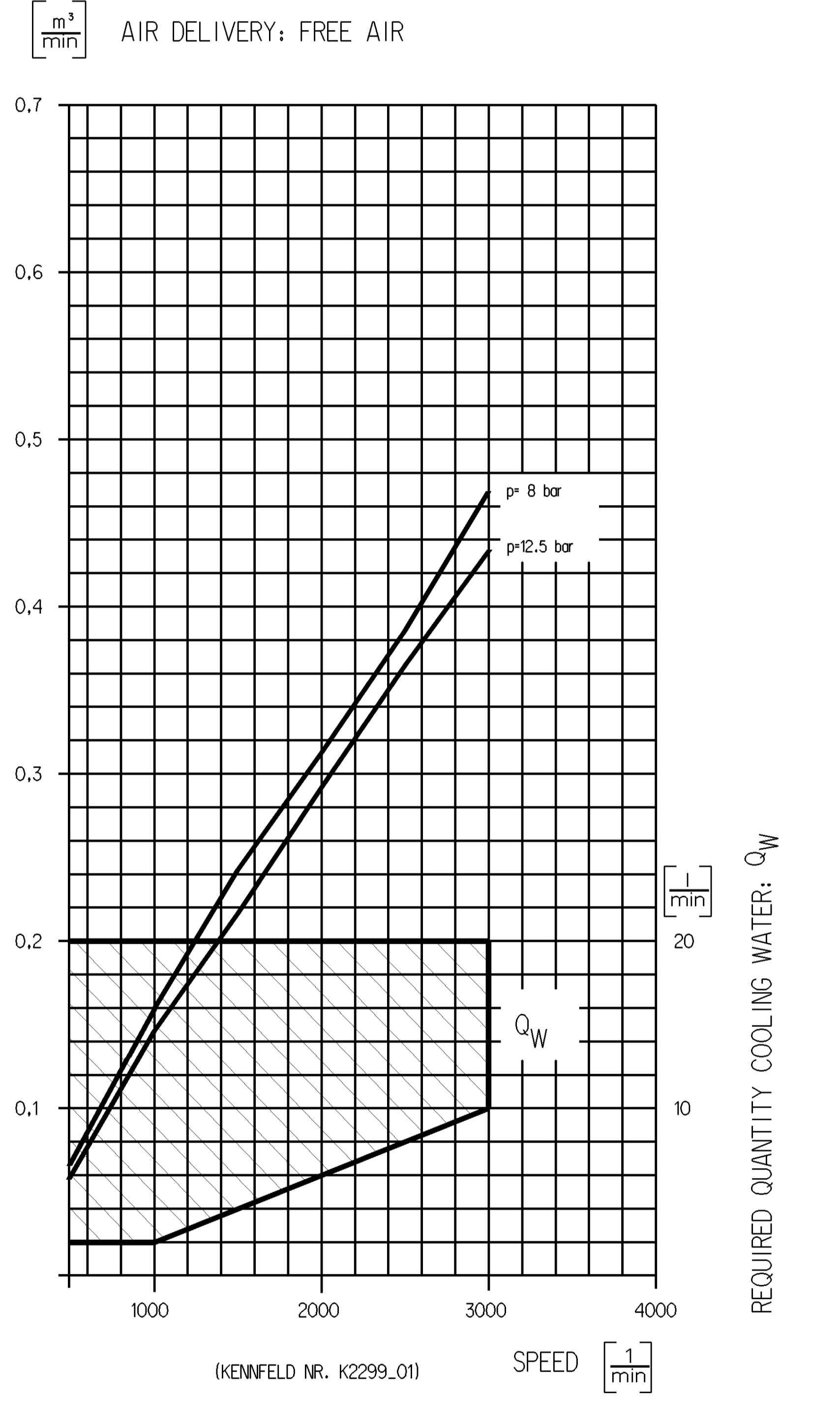
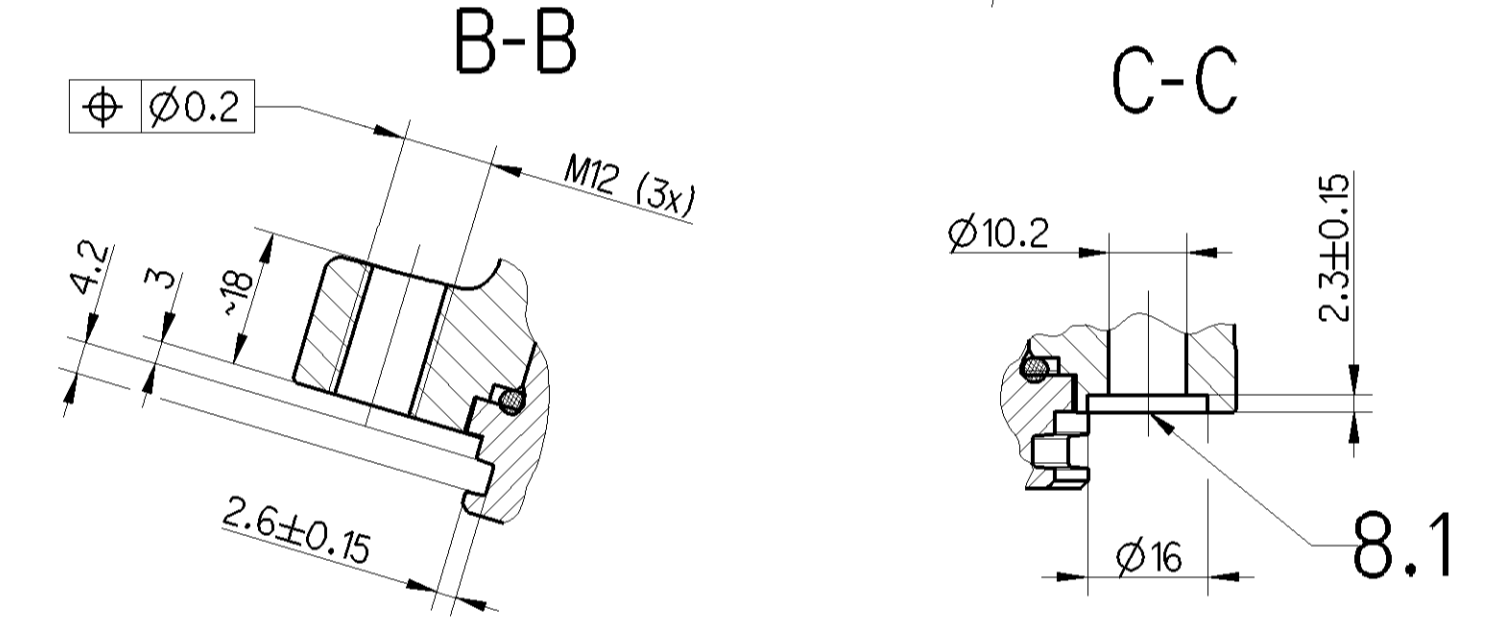
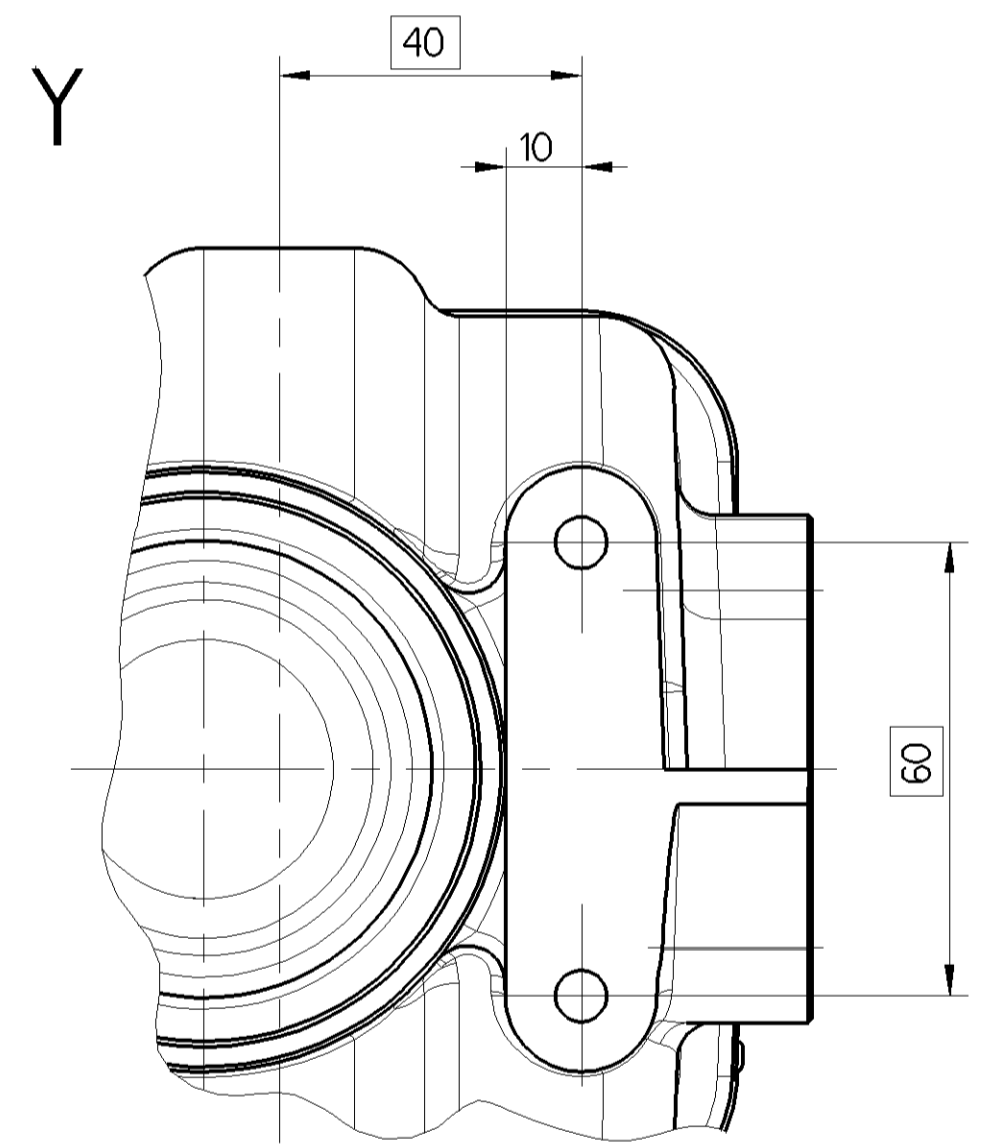
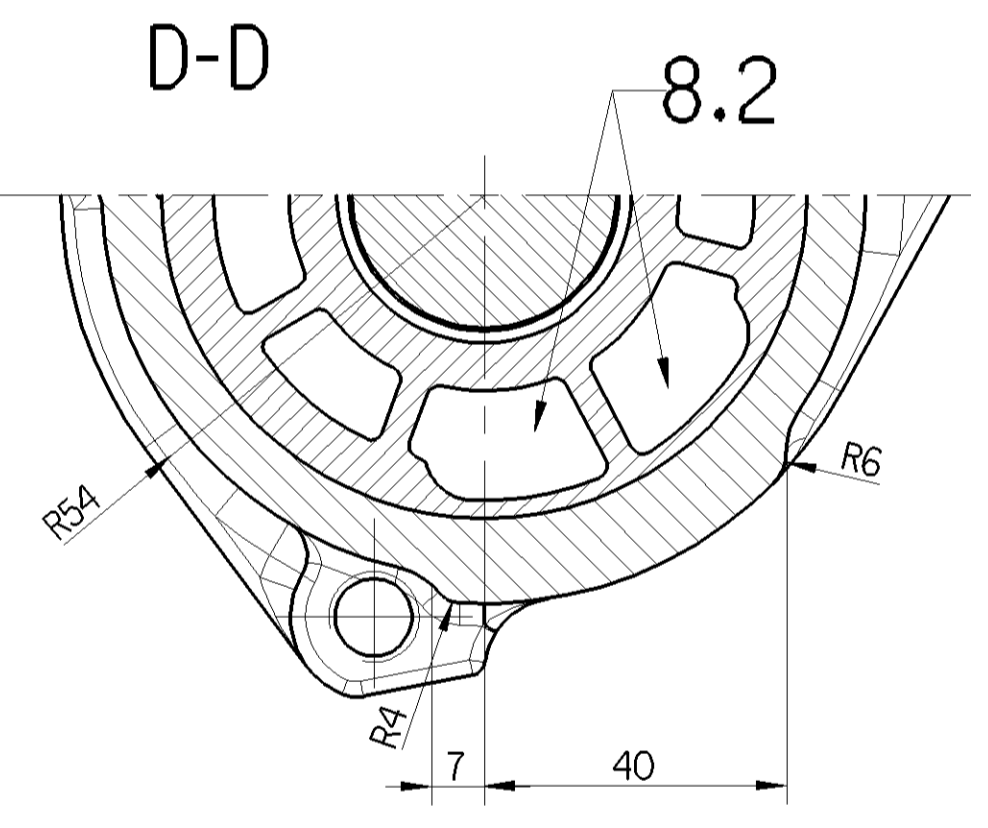
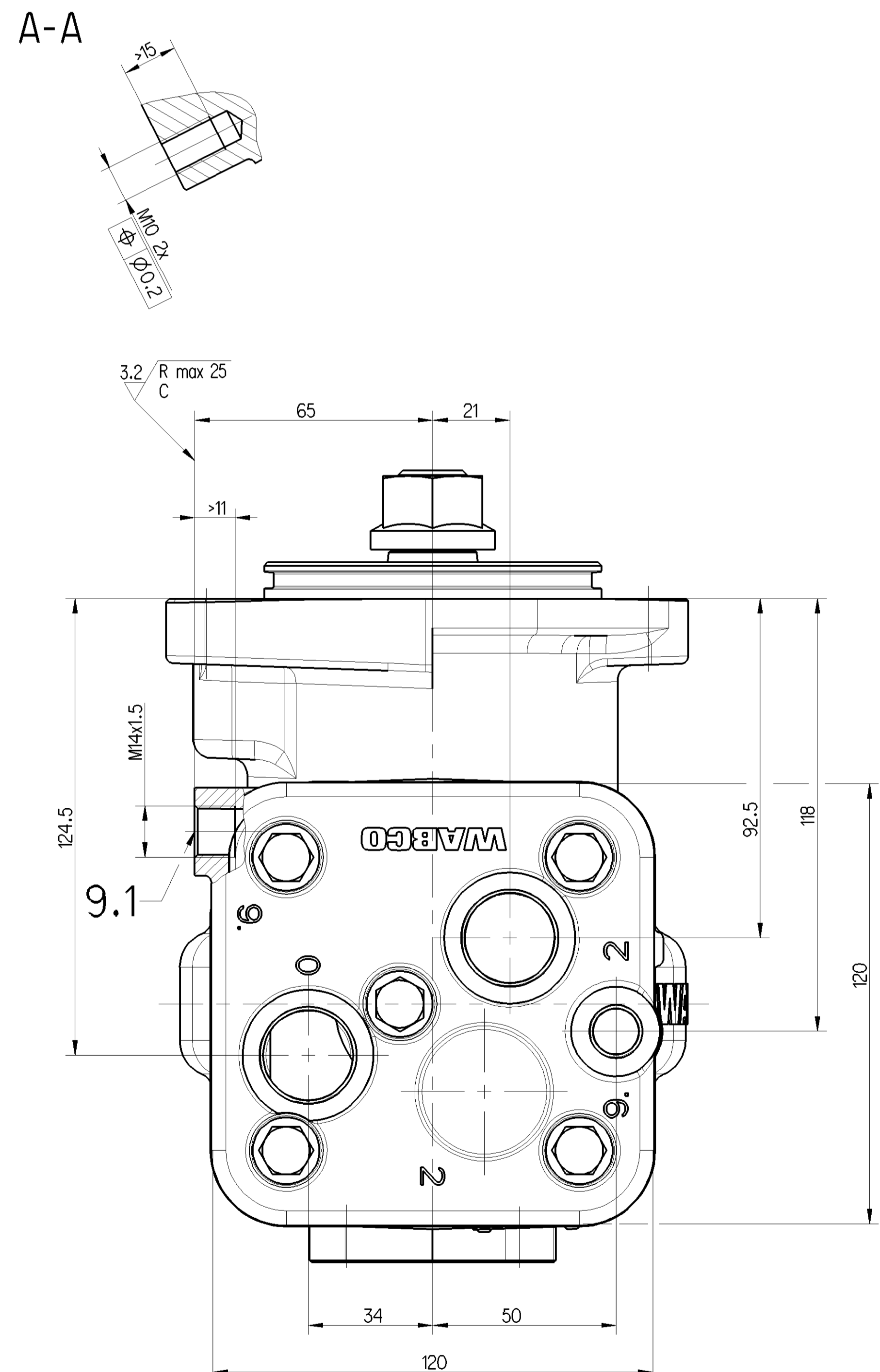


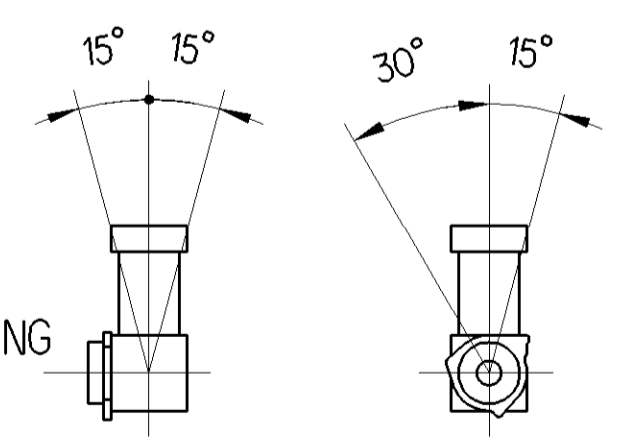
SEE LABELING INFORMATION TABLE



WORKING MEDIUM	AIR
COOLANT	WATER WITH ANTIFREEZE
BORE	$\phi$ 85 mm
STROKE	42 mm
SWEPT VOLUME	238 cm <sup>3</sup>
MAX. WORKING SPEED	$n_{\text{max}} = 3000 \text{ min}^{-1}$
OVERSPEED (MAX. 4 SEC.)	$n_{\text{ue}} = 1.3 \times n_{\text{max}}$
MAX. WORKING PRESSURE	$p_e = 12.5 \text{ bar}$
MAX. PRESSURE AT PRESSERPORT	$p_e = 16 \text{ bar}$
MAX. PERMISSIBLE PRESSURE TEMPERATURE IN SERVICE	220 °C
END PLAY OF CRANKSHAFT	0.08 ... 0.38 mm
LUBRICATION SUPPLIED FROM ENGINE	
FREE FROM ASBESTOS	

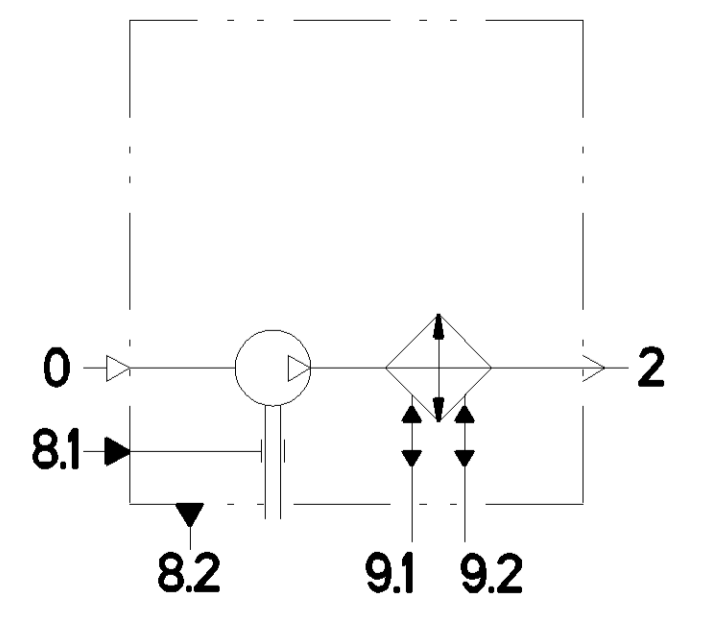


MAX. PERMISSIBLE TILT DURING CONTINUOUS WORKING



0	SUCTION PORT	$M \leq 100 \text{ Nm}$
2	DISCHARGE PORT	$M \leq 100 \text{ Nm}$
8.1	OIL SUPPLY	
8.2	OIL DRAIN	
9.1	COOLANT CONNECTION	$M \leq 35 \text{ Nm}$
9.2	COOLANT CONNECTION	$M \leq 35 \text{ Nm}$

9.1 → 9.2 DIRECTIONS OF FLOW



FULL SCREEN COATED SUCTION LEAF IMPLEMENTED SINCE OCTOBER 2008.  
(...) AUXILIARY DIMENSION

\*\* ALSO VALID FOR PRI: 037, 003, 105, 008.

LABELING INFORMATION TABLE (SEE ALSO DOC.922)			
PRODUCTION SITE	LABEL	LABEL ID NUMBER	LABEL LAYOUT
048 **	①	899 050 145 4	

General Specifications: JED-354-0  
Further Technical Data: 411 151 004 0  
Doc. Code: 005  
Serial: 1 To 5  
Version: 2017-03-02  
Range of Nominal Dimensions (L x W x H) [mm]: 50 x 180 x 400 to 400 x 400 x 400  
Class: 11  
Medium: X  
Size: 2.0  
Course: 2.0

Copyright WABCO®  
Title: System  
Date: 2017-03-02  
Project: Trojko  
Sheet: 1 of 1  
Scale: 1:1  
Author: Skobonin

**WABCO**  
SINGLE CYLINDER COMPRESSOR

Model No.: 411 151 004 R  
Date of 1st Issue: 2017-03-02  
Revision: 005  
Language: EN  
Sheet: 1/1

Approved by: A O  
Date: 2019