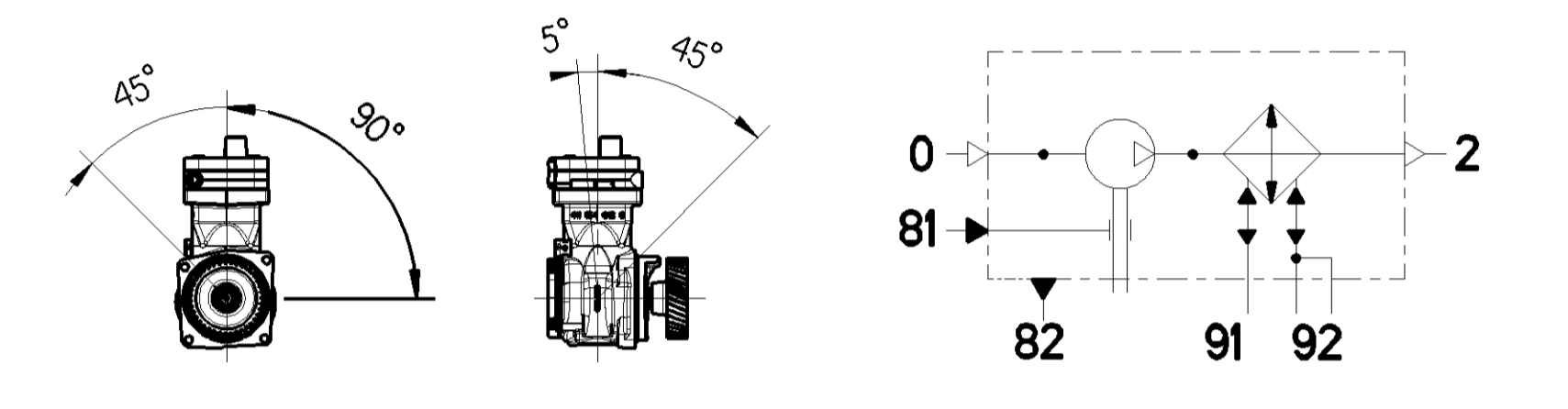


WORKING MEDIUM	AIR
COOLANT	WATER WITH ANTIFREEZE
BORE	Ø 85 mm
STROKE	42 mm
SWEPT VOLUME	238 cm ³
MAX. WORKING SPEED	n _{max} = 3000 min ⁻¹
OVERSPEED (MAX. 4 SEC.)	n _{ue} = 1.3 x n _{max}
MAX. WORKING PRESSURE	12.5 bar
MAX. PRESSURE	16 bar ^③
LUBRICATION SUPPLIED FROM ENGINE	
PORTS PROTECTED	
FREE FROM ASBESTOS	
CRANKCASE: SURFACE PROTECTION JED-069M1 (OPTIONAL)	

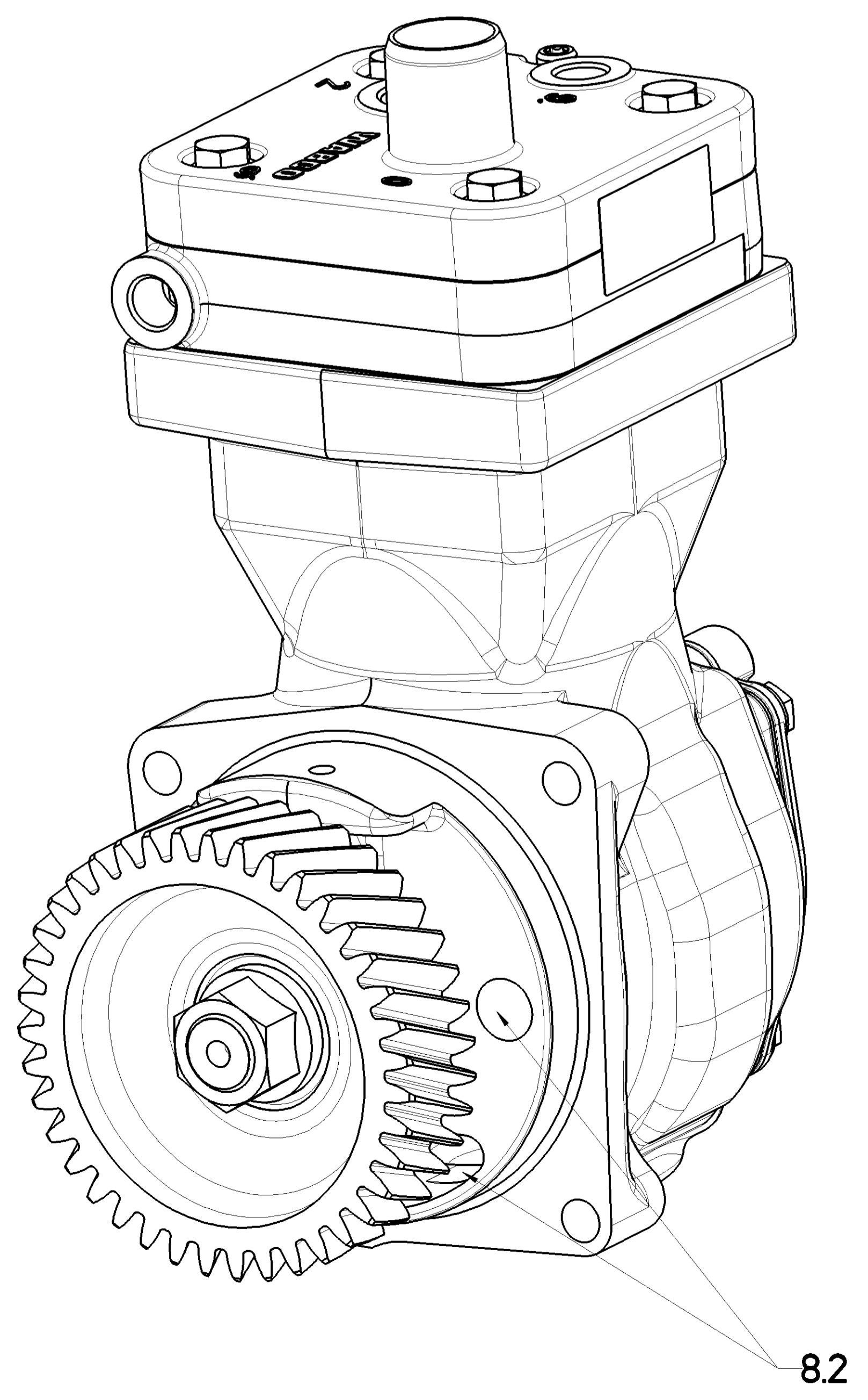
③ MEASURE AT DISCHARGE PORT

MAX. PERMISSIBLE TILT DURING CONTINUOUS WORKING

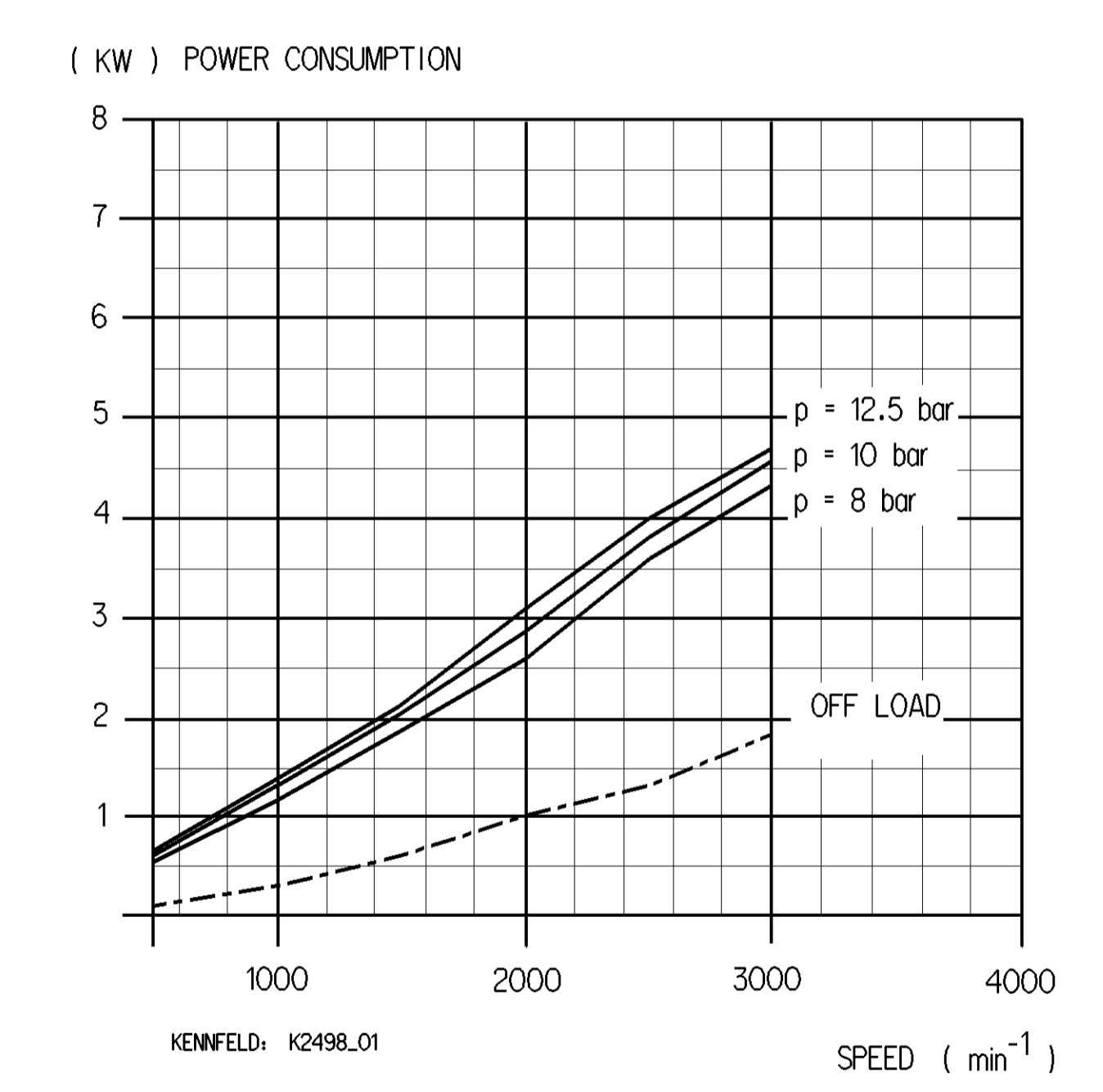
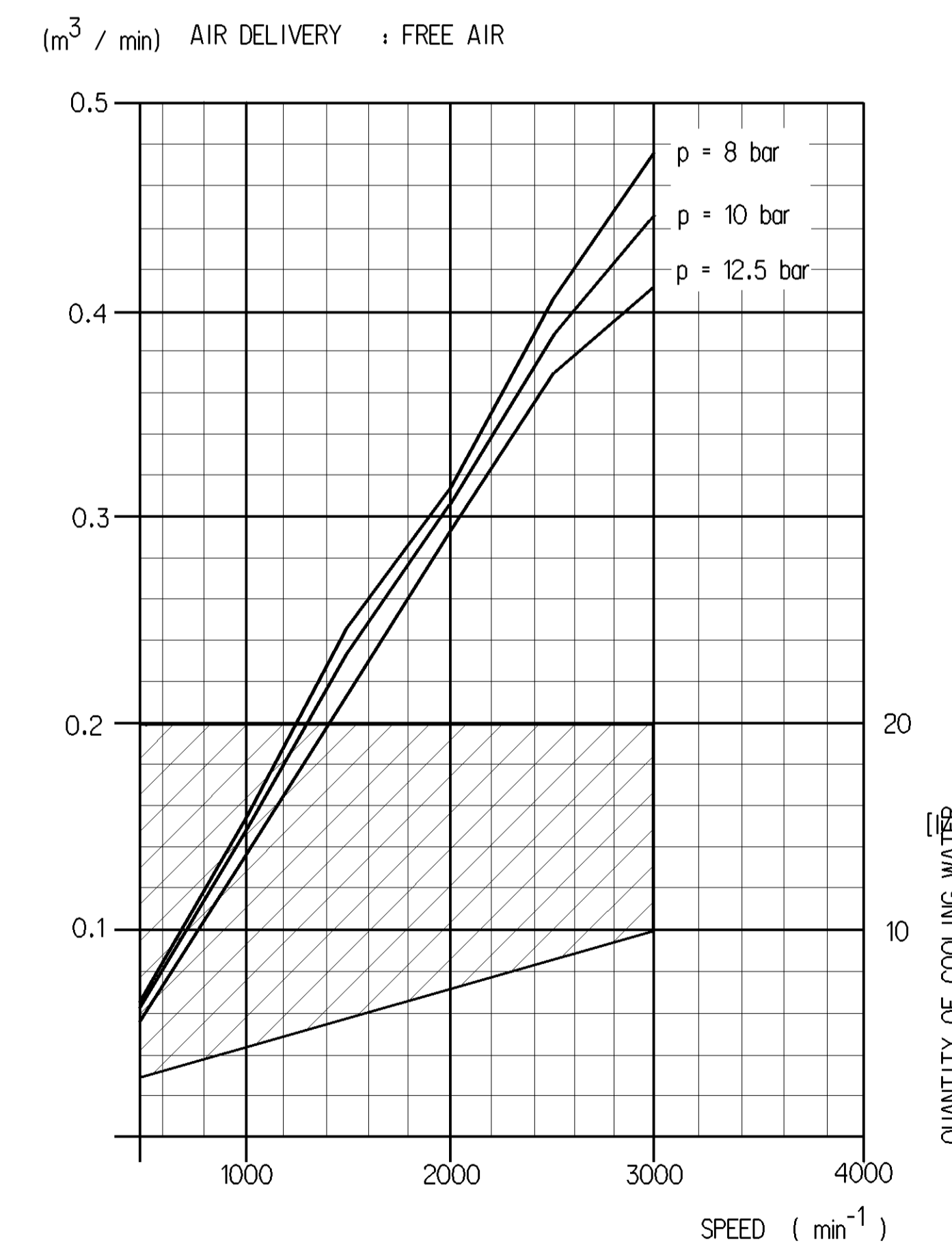
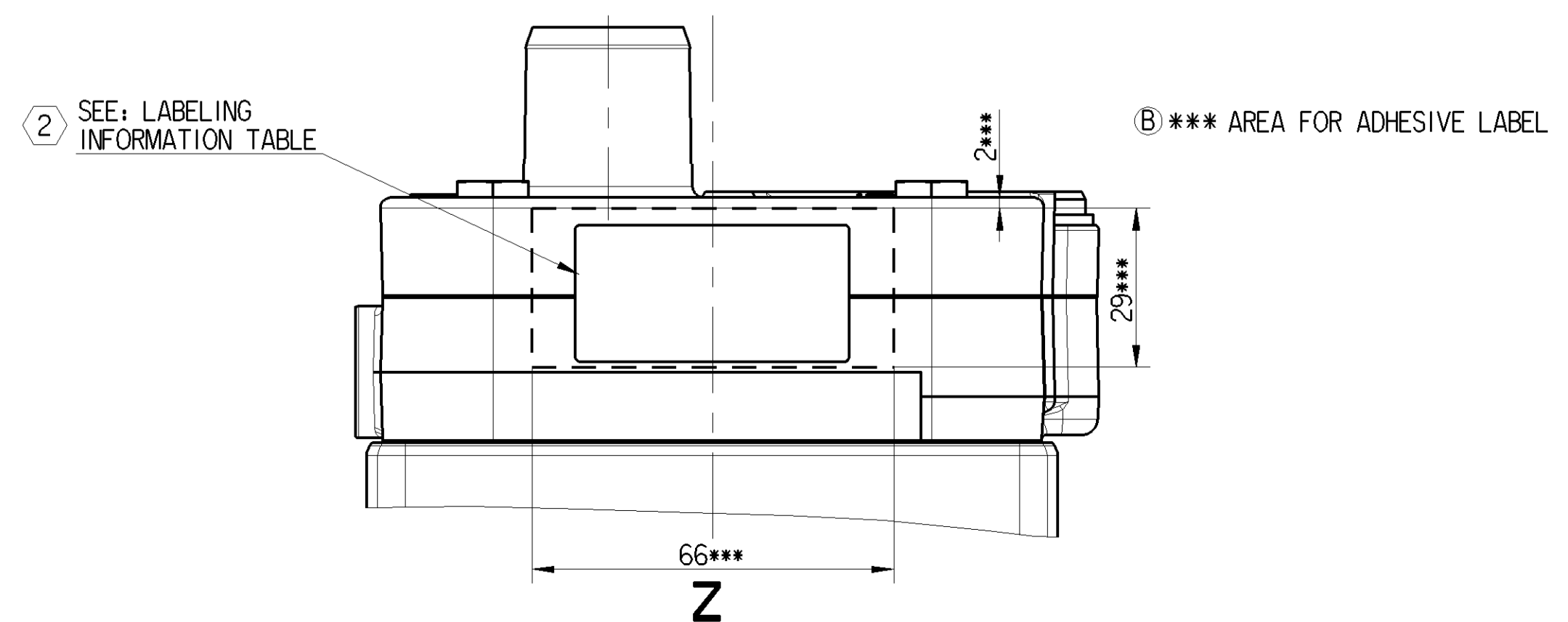
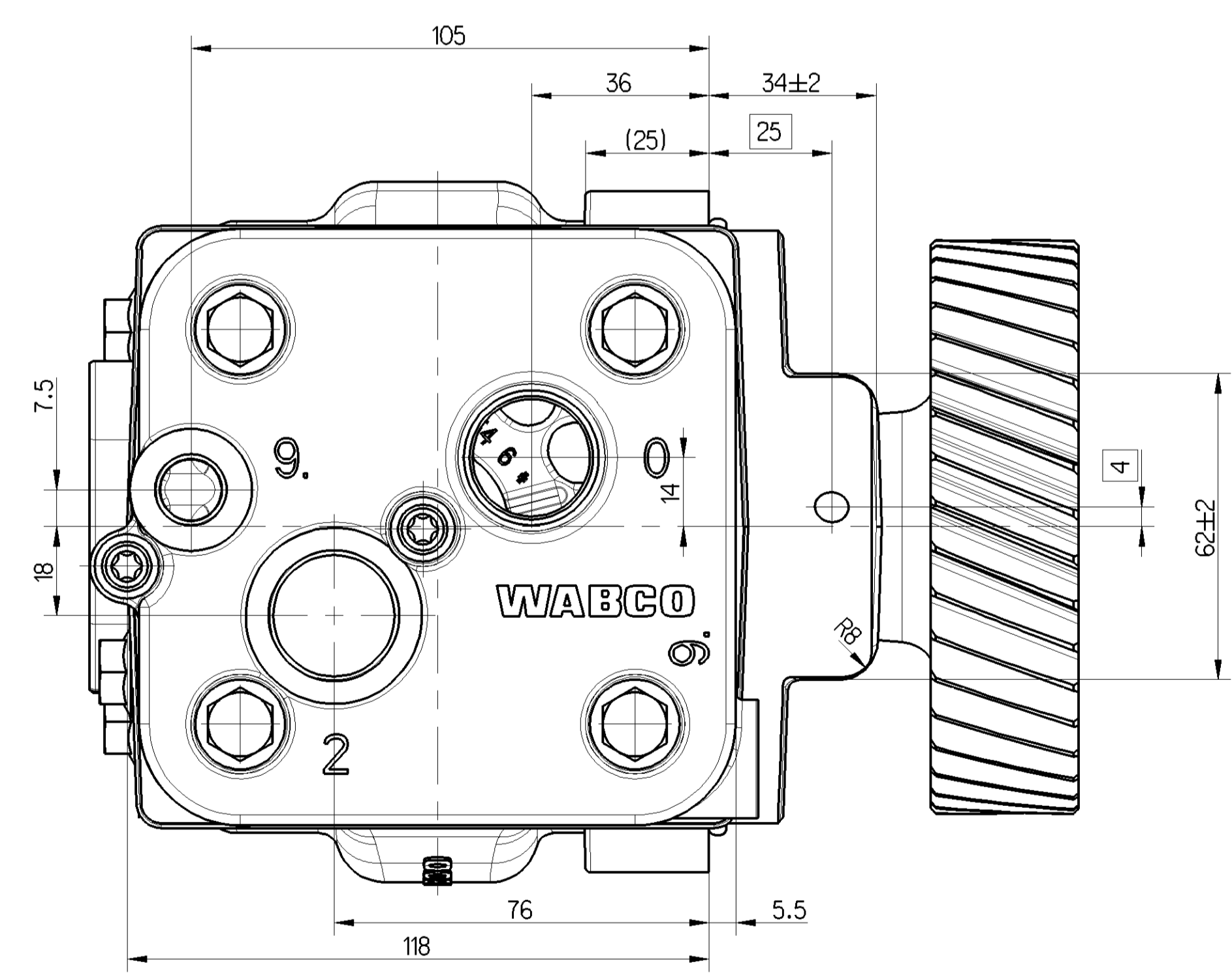


0	SUCTION PORT	
2	DISCHARGE PORT	M ≤ 67 Nm ^④
8.1	OIL SUPPLY	
8.2	OIL DRAIN	
9.1	COOLANT CONNECTION	M ≤ 25 Nm ^④
9.2	COOLANT CONNECTION	M ≤ 25 Nm ^④

9.1 → 9.2 DIRECTIONS OF FLOW
④ ACCORDING TO JED-366



O-RING (Ø118 ±1 x Ø3 ±0.1)
897 772 857 4 (WABCO JED-313+ACM/SHORE A 70±5)
(DAG / DEL 6038.20 = ELASTOMER/SHORE A 70±5)



② ** ALSO VALID FOR PRI: 037, 003

LABELING INFORMATION TABLE (SEE ALSO DOC.922)		
PRODUCTION SITE	LABEL	LABEL ID NUMBER
PRI 048 **	①	899 050 145 4
	②	899 202 425 4

General Specifications: JED-334-1, Size ISO 14400 LP
Further Technical Data: 411 151 009 R
Doc. Code: 0305
Date: 2017-02-21
Sheet: 1 of 5
Drawn: Trokajo
Checked: Skobonin
Approved: Skobonin

WABCO COMPRESSOR

Class: 1, 2, 3, 4, 5, 6, 7, 8, 9, 10, 11, 12, 13, 14, 15, 16, 17, 18, 19, 20, 21, 22, 23, 24, 25, 26, 27, 28, 29, 30, 31, 32, 33, 34, 35, 36, 37, 38, 39, 40, 41, 42, 43, 44, 45, 46, 47, 48, 49, 50, 51, 52, 53, 54, 55, 56, 57, 58, 59, 60, 61, 62, 63, 64, 65, 66, 67, 68, 69, 70, 71, 72, 73, 74, 75, 76, 77, 78, 79, 80, 81, 82, 83, 84, 85, 86, 87, 88, 89, 90, 91, 92, 93, 94, 95, 96, 97, 98, 99, 100

Scale: 1:1
Date: 2017-02-21
Author: 173173
Revision: 2x
Status: B
Year: 2009