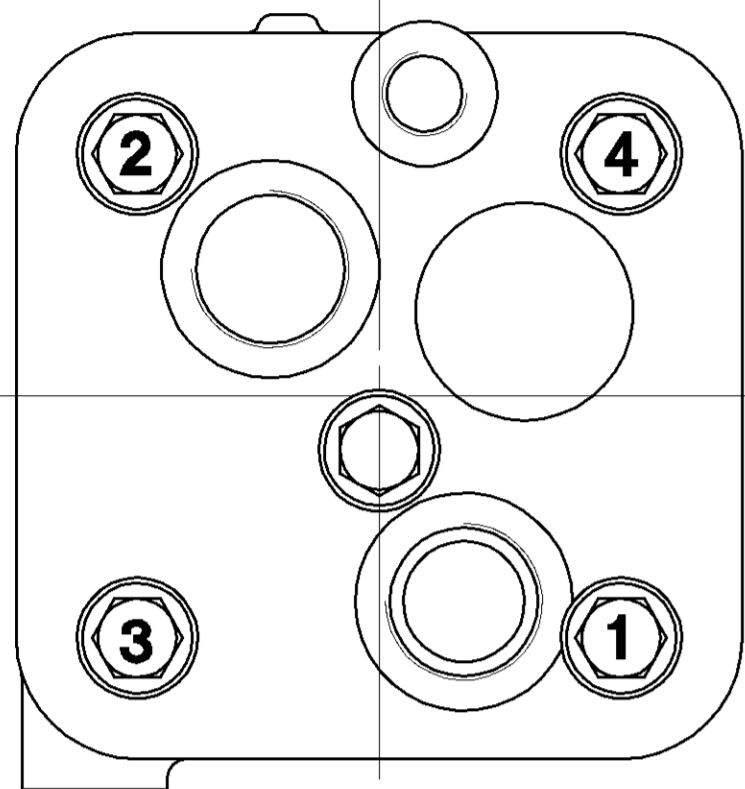


A

1.

SCREW DOWN CYLINDER HEAD BOLTS IN SEQUENCE: 1,2,3,4 (20±2 Nm)

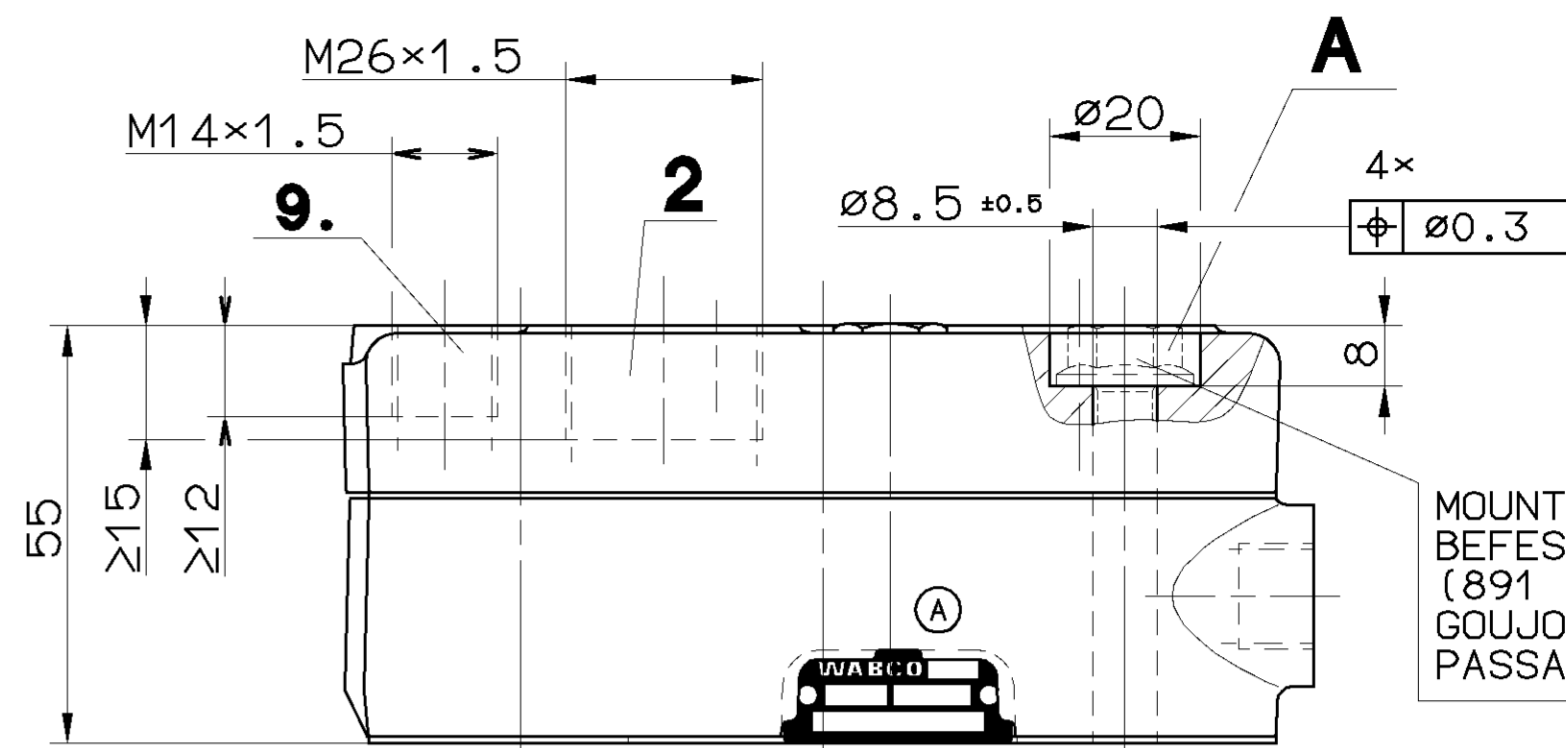
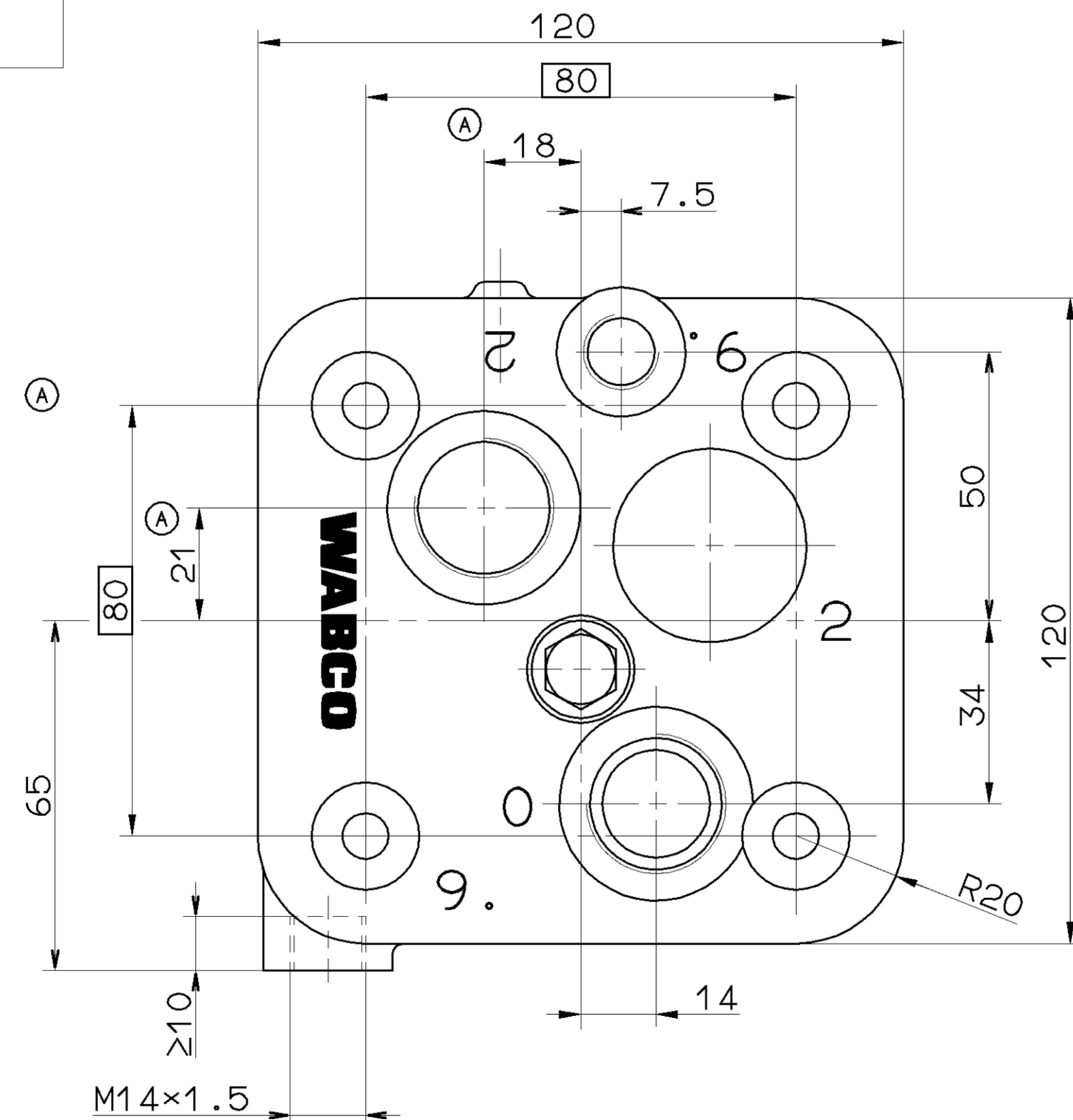
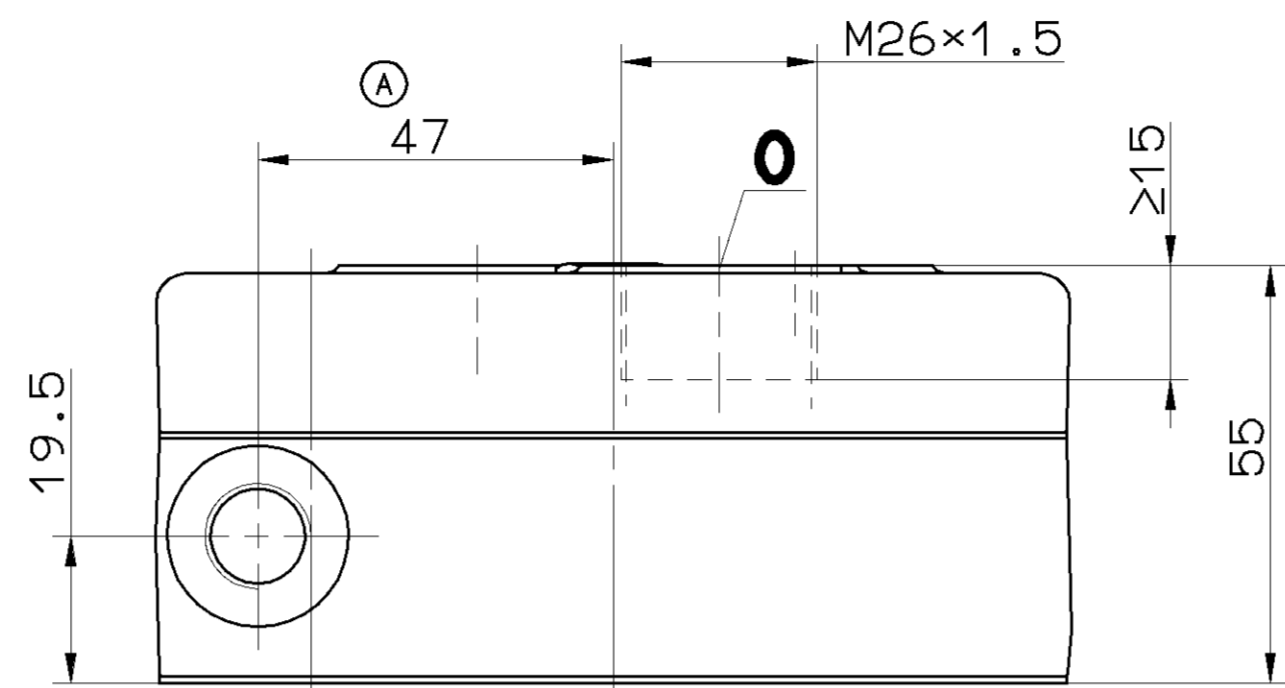
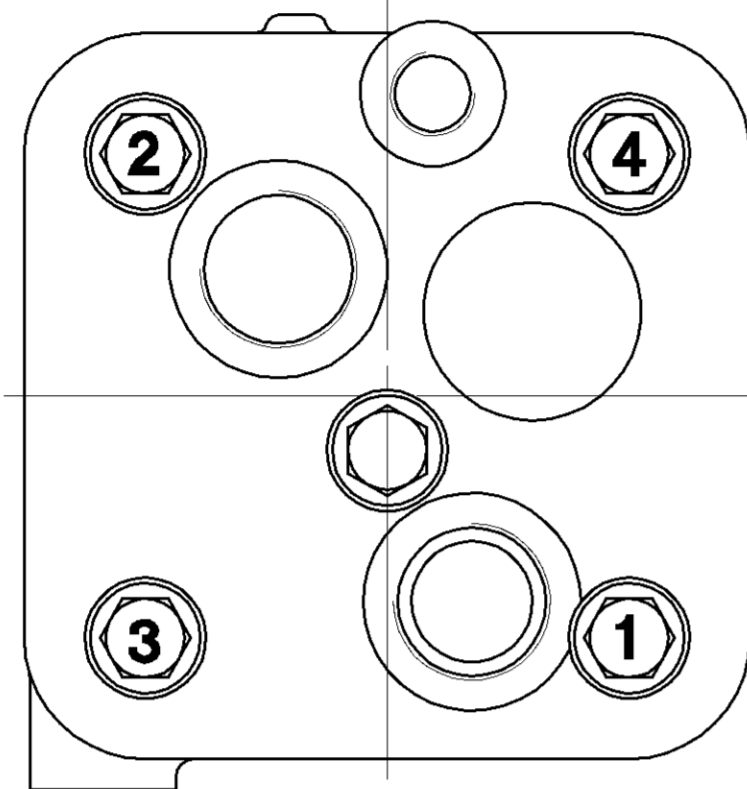
SCHRAUBEN IN DER REIHENFOLGE: 1,2,3,4 (20±2 Nm) ANZIEHEN.



2.

APPLY A ROTATION ANGLE OF: 90° +10° -5° IN SEQUENCE: 1,2,3,4.

WEITERDREHWINKEL: 90° +10° -5° IN DER REIHENFOLGE: 1,2,3,4 AUFBRINGEN



MOUNTING STUDS BEFESTIGUNGSSCHRAUBEN M8-10.9 (891 201 701 4 - 4x) GOIJONS PASSANTE

TECHNICAL DATA TECHNISCHE DATEN CARACTERISTIQUES TECHNIQUES CARATTERISTICHE TECNICHE

BORE: Ø85 mm  
 BOHRUNG:  
 ALESAGE:  
 ALESAGGIO:  
 SWEEP VOLUME: MAX. 318 cm³  
 HUBRAUM:  
 CYLINDREE:  
 CYLINDRATA:  
 MAX.WORKING SPEED: n<sub>max</sub> = 3000 min<sup>-1</sup>  
 MAX.BETRIEBSDREHZAHL:  
 VITESSE D'UTILISATION MAXI.:  
 VELOCITA DI ESERCIZIO MAX.:  
 OVSPEED (TEMPORARY MAX. 4 SEC.): n<sub>us</sub> = 1.3 x n<sub>max</sub>  
 UEBERDREHZAH (KURZZEITIG MAX. 4 SEC.):  
 SURVITESSE (DE' COURTE DUREE MAXI. 4 SEC.):  
 SOVRAVELOCITA (BREVE TEMPO SOLO MAX. 4 SEC.):  
 MAX.WORKING PRESSURE: p<sub>e</sub> = 12.5 bar  
 MAX.BETRIEBSDRUCK:  
 PRESSION D'UTILISATION MAXI.:  
 PRESSIONE DI ESERCIZIO MAX.:  
 REQUIRED QUANTITY COOLING WATER: 6 l/min  
 ERFORDERLICHE KUEHLWASSERMENGE:  
 QUANTITE D'EAU NECESSAIRE:  
 QUANTITA D'ACQUA NECESSARIA:  
 MAX.COOLING WATER PRESSURE: 2 bar  
 MAX.KUEHLWASSERDRUCK:  
 PRESSION D'EAU MAXI.:  
 PRESSIONE D'ACQUA MAX.  
 MAX.PERMISSIBLE PRESSURE TEMPERATURE IN SERVICE 220°C  
 MAX.ZULAESSIGE DRUCKSTUZZENTEMPERATUR WAEHREND DES FAHRBETRIEBES  
 TEMPERATURE MAX. ADMISSIBLE EN SERVICE  
 TEMPERATURA MAX. AMMISSIBLE IN SERVIZIO

0 = INLET PORT SAUGANSCHLUSS M ≤ 100 Nm ASPIRATION ASPIRACIONE  
 2 = DISCHARGE PORT DRUCKANSCHLUSS M ≤ 100 Nm REFOULEMENT COMPRESSIONE  
 9 = COOLANT CONNECTION KUEHLMITTELANSCHLUSS M ≤ 60 Nm CONNEXION DE FLUIDE DE REFROIDISSEMENT COLLEGAMENTO LIQUIDO REFRIGERANTE

FREE FROM ASBESTOS ASBESTFREI EXEMPT D'AMIANTE ESENTE D'AMIANTO

GENERAL SPECIFICATION: JED-034		CAD/DRAWING COPYRIGHT: WABCO	
FURTHER TECHNICAL DATA:		DATE:	SIGNATURE:
DOC. CODE:	SHEET: TO:	94-04-27/ GROSSKOPF	94-04-27/ KRAMER
GENERAL TOLERANCES		STANDARDIZATION: TESTA	
RANGE OF NOMINAL DIMENSIONS (± mm)			
CLASS	1)	<50	>50 ≤180
FINE		±0.5	±1.0
MEDIUM		±1.0	±1.5
COARSE		±2.0	±3.0
TAPPED HOLES ACC. ISO 4039 / JED-162		059208	5x4 95-11-21
1) TOLERANCE CLASS APPLIED CROSSMARKED		DOC-NO. REV. DATE	A 11 140
GENERAL SPECIFICATION: JED-034		PRODUCT IDENTIFICATION NO. 411 151 800 2	
FURTHER TECHNICAL DATA:		DOC. CODE	SHEET
DOC. CODE:	SHEET: TO:	605	1/1
GENERAL TOLERANCES		SHAPE CODE	
1) TOLERANCE CLASS APPLIED CROSSMARKED			