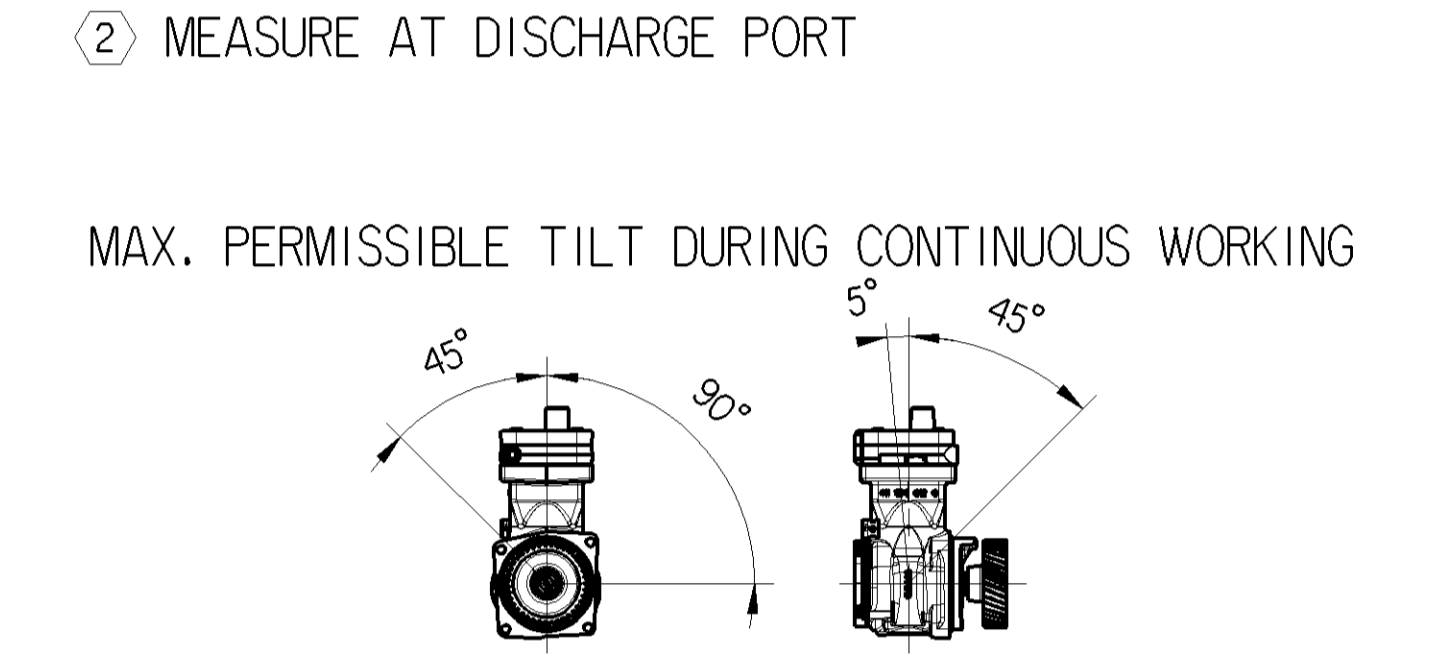
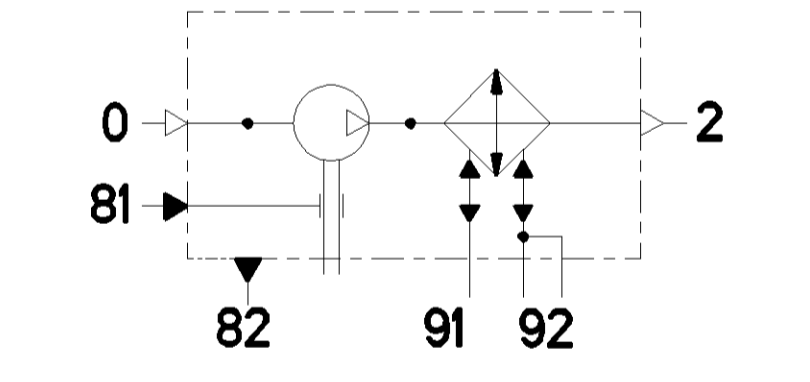
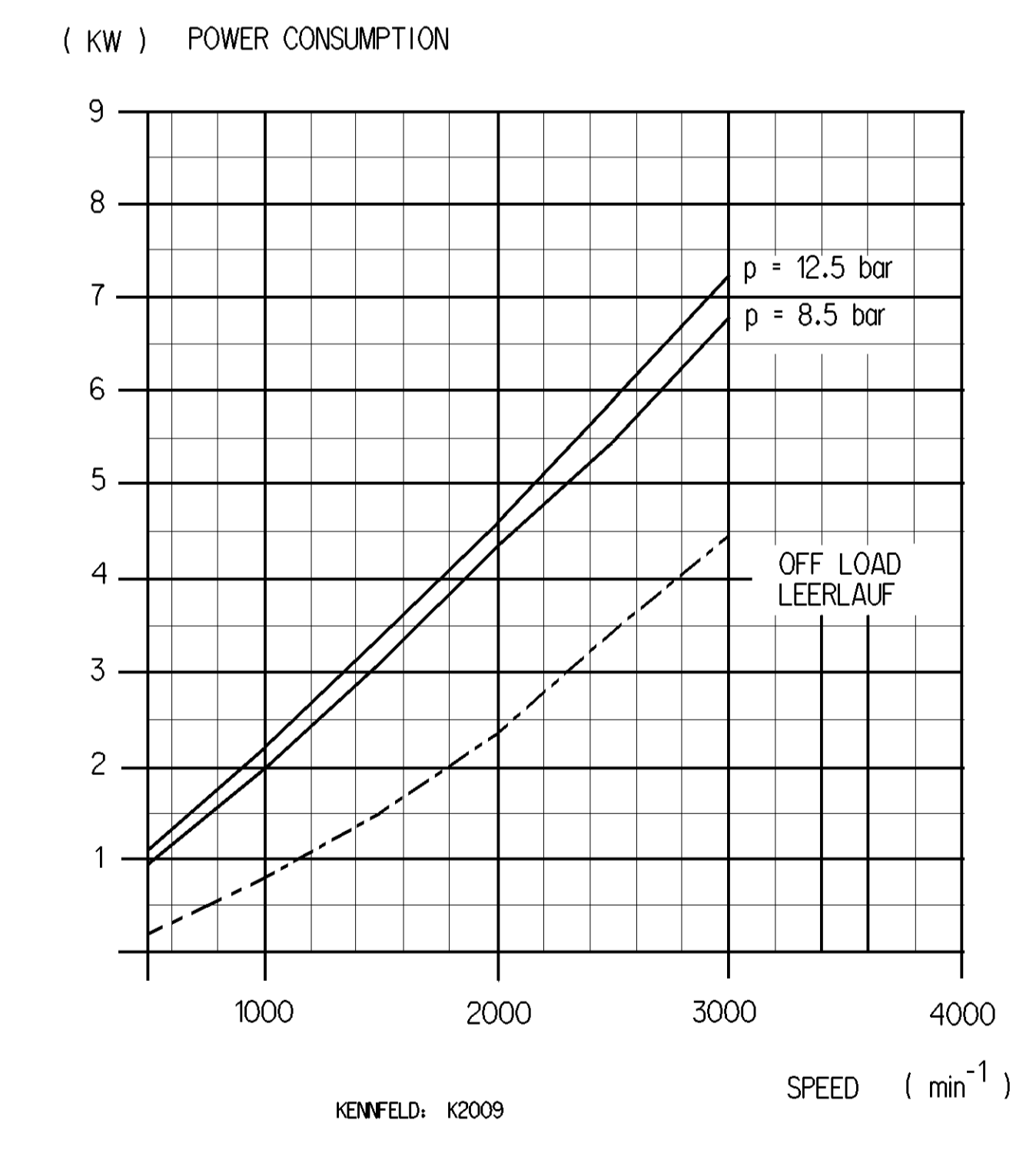
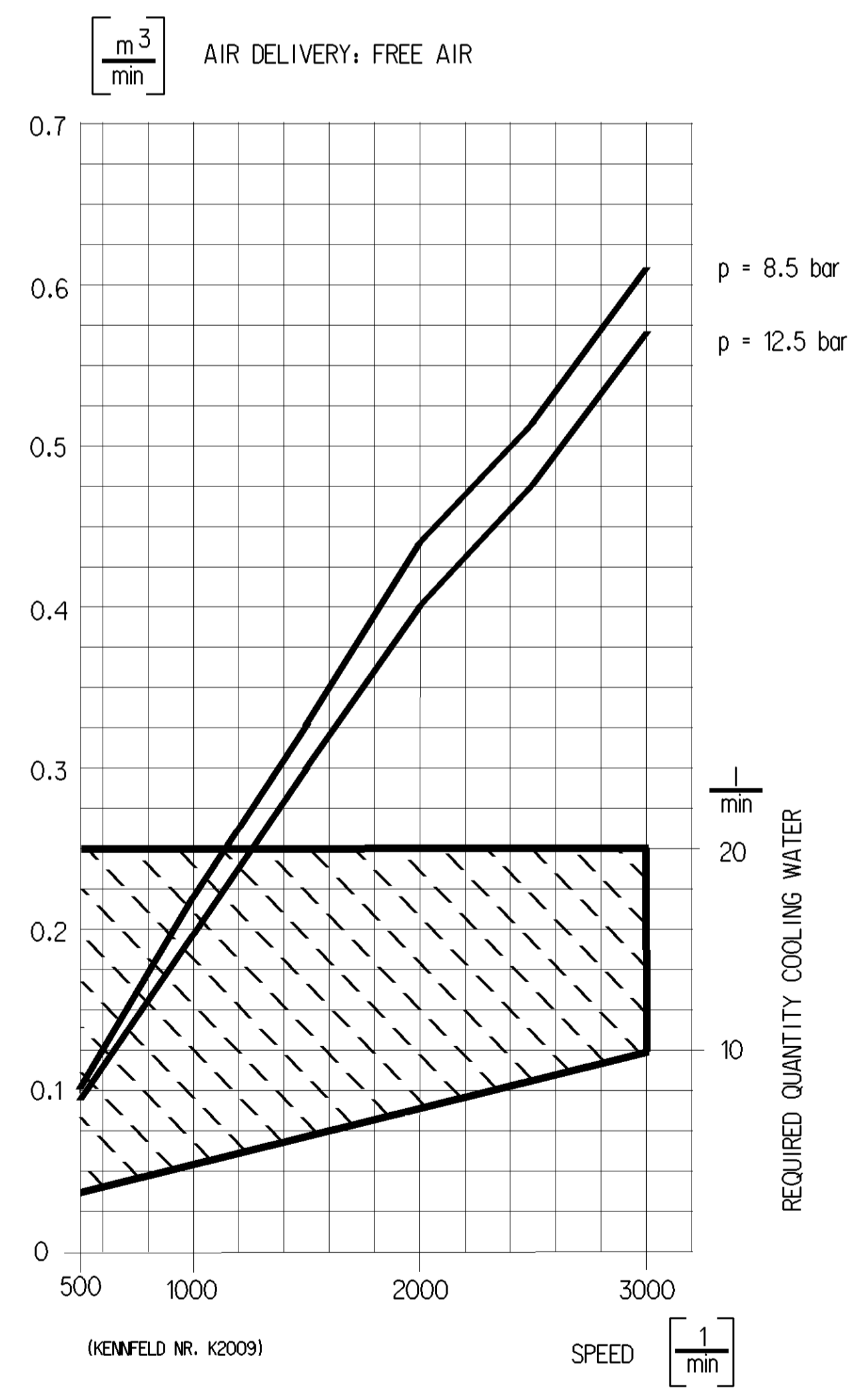
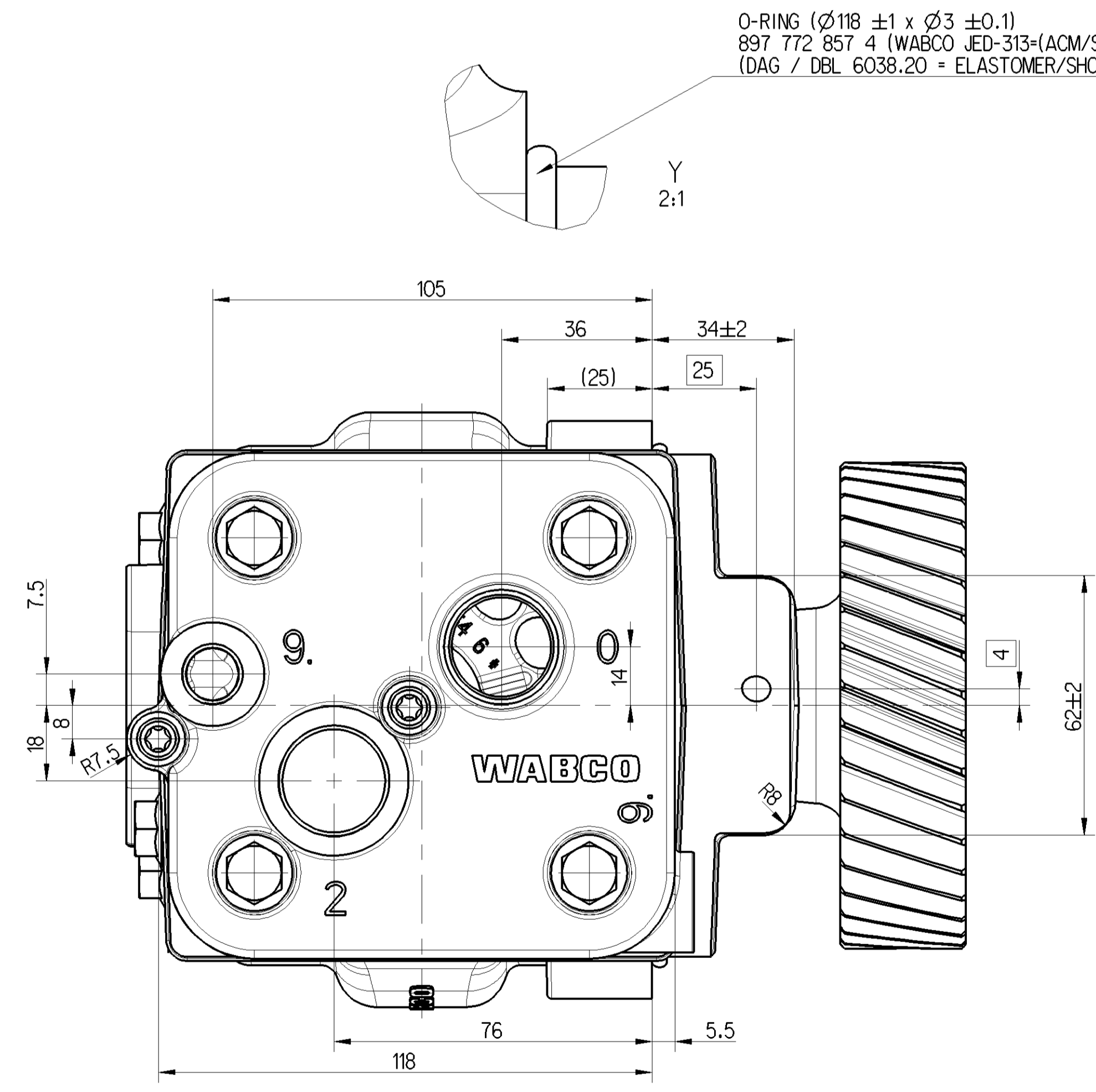
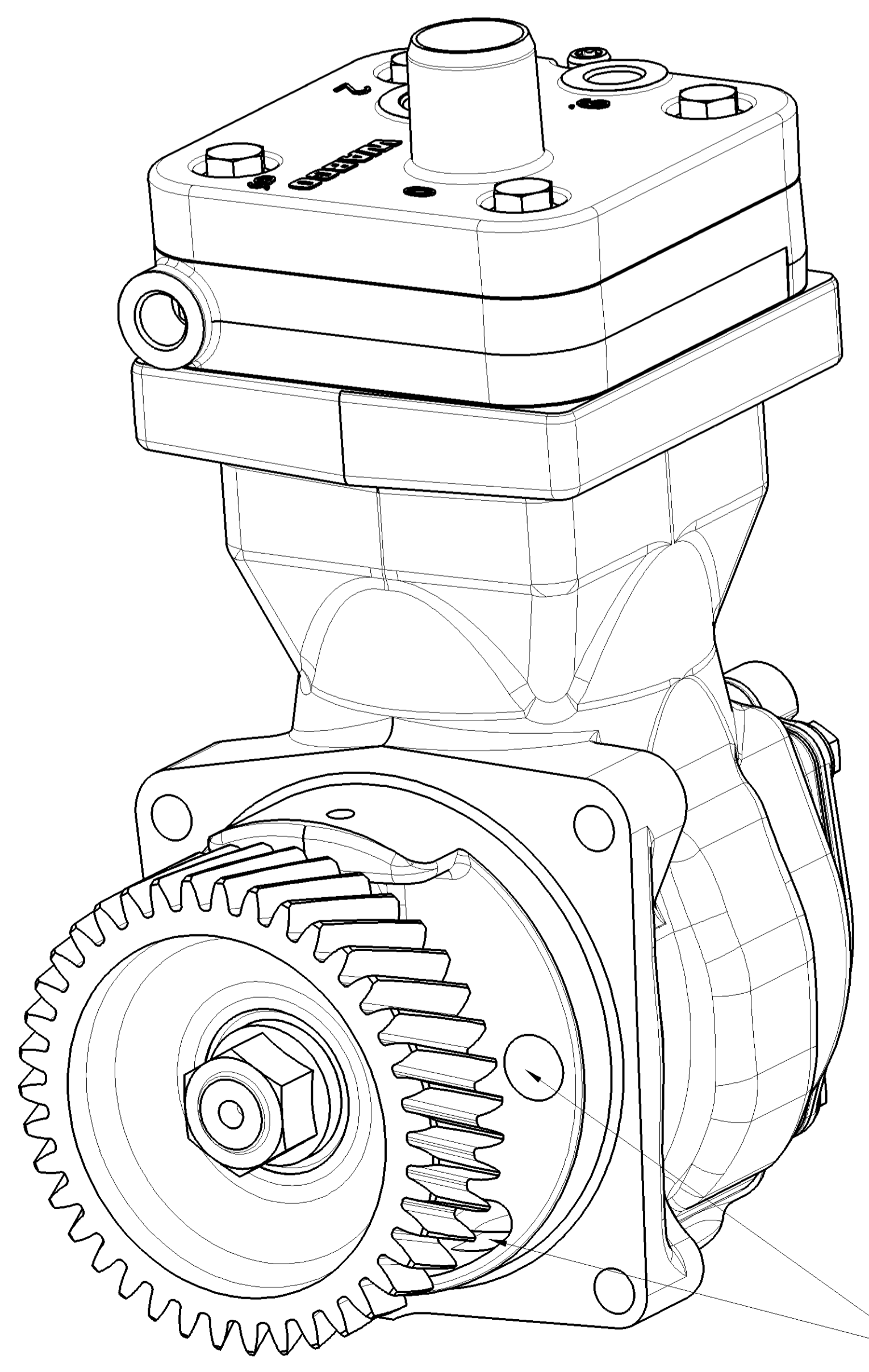


WORKING MEDIUM	AIR
COOLANT	WATER WITH ANTIFREEZE
BORE	∅ 85 mm
STROKE	62 mm
SWEPT VOLUME	352 cm ³
MAX. WORKING SPEED	n _{max} = 3000 min ⁻¹
OVERSPEED (MAX. 4 SEC.)	n _{ue} = 1.3 x n _{max}
MAX. WORKING PRESSURE	12.5 bar
MAX. PRESSURE	16 bar (2)
LUBRICATION SUPPLIED FROM ENGINE	
PORTS PROTECTED	
FREE FROM ASBESTOS	
CRANKCASE: SURFACE PROTECTION JED-069M	



0	SUCTION PORT	
2	DISCHARGE PORT	M <= 67 Nm (3)
8.1	OIL SUPPLY	
8.2	OIL DRAIN	
9.1	COOLANT CONNECTION	
9.2	COOLANT CONNECTION	M <= 25 Nm (3)

9.1 → 9.2 DIRECTIONS OF FLOW
 (3) ACCORDING TO JED-366



(1) CUSTOMER'S LABEL

General Specifications: JED-334-1, Size ISO 14400 LP		Copyright WABCO®		WABCO	
Further Technical Data: 411 154 004 R		Title: System		COMPRESSOR	
Doc. Code: 035		Sheet: 1 To 5			
General Tolerance: k9-D10		2016-11-30		Trojko	
Range of Nominal Dimensions (± mm)		2016-11-30		Skobon	
Class	± 0.10	± 0.15	± 0.20	± 0.30	± 0.40
Frame	0.5	1.0	1.5	2.0	3.0
Medium	X 1.0	2.0	3.0	4.0	6.5
Course	2.0	3.5	5.0	6.5	
Tapped holes acc. JED-152		Material No.		Date of 1st issue: 2016-11-30	
Tolerance class: H9/d9		Revision		Doc. Code: Language: Sheet	
A 0		CREO		411 154 004 A	
				005 EN 1/1	