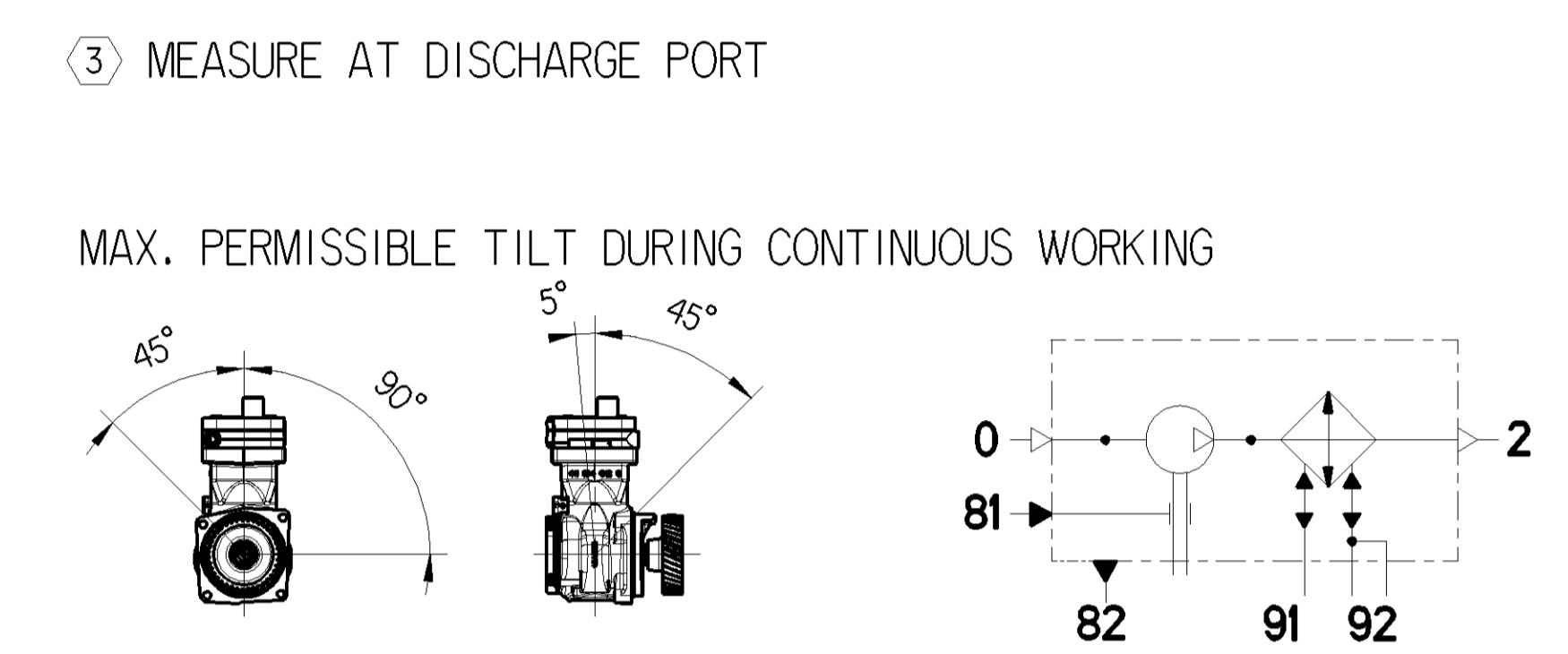
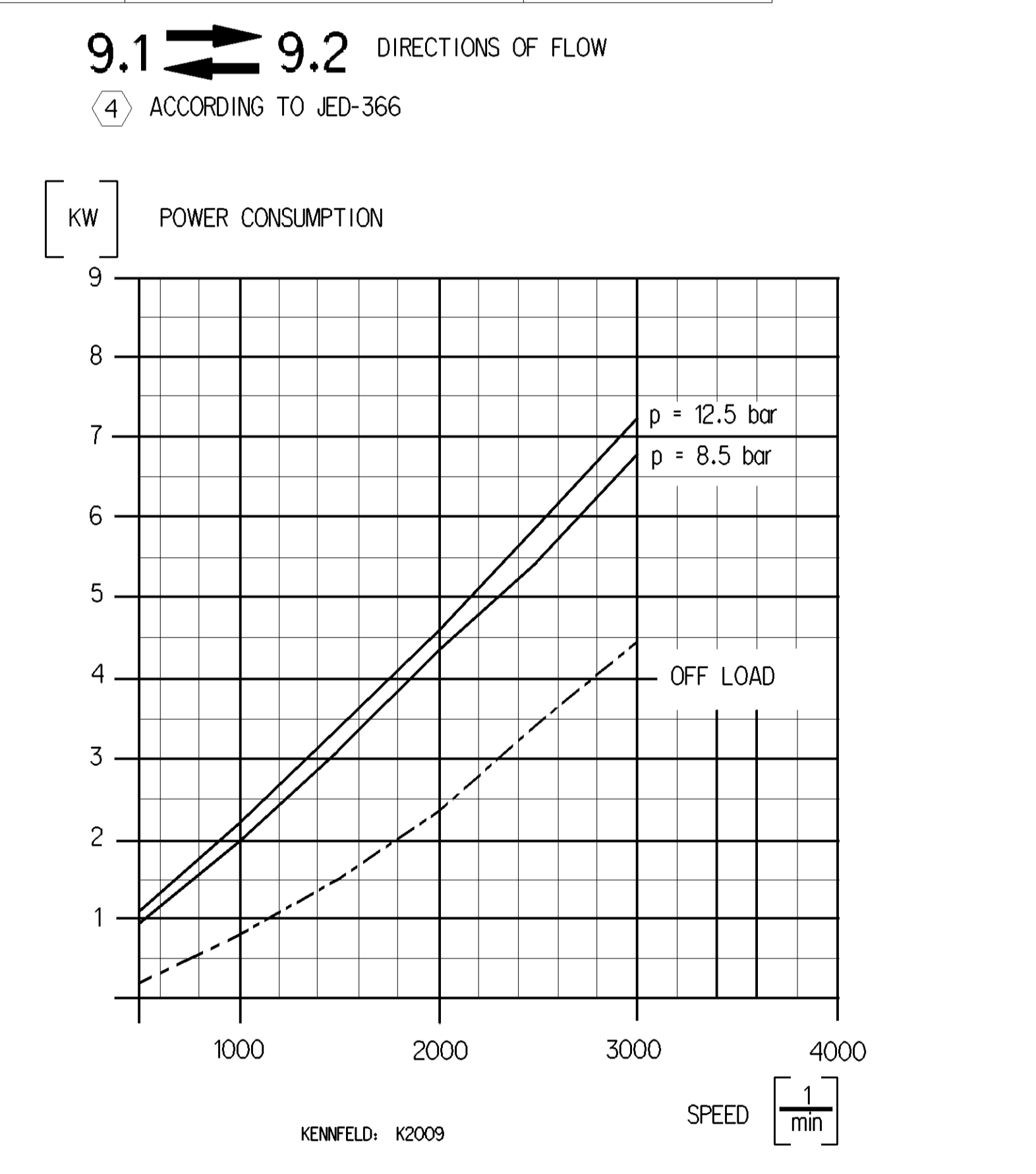
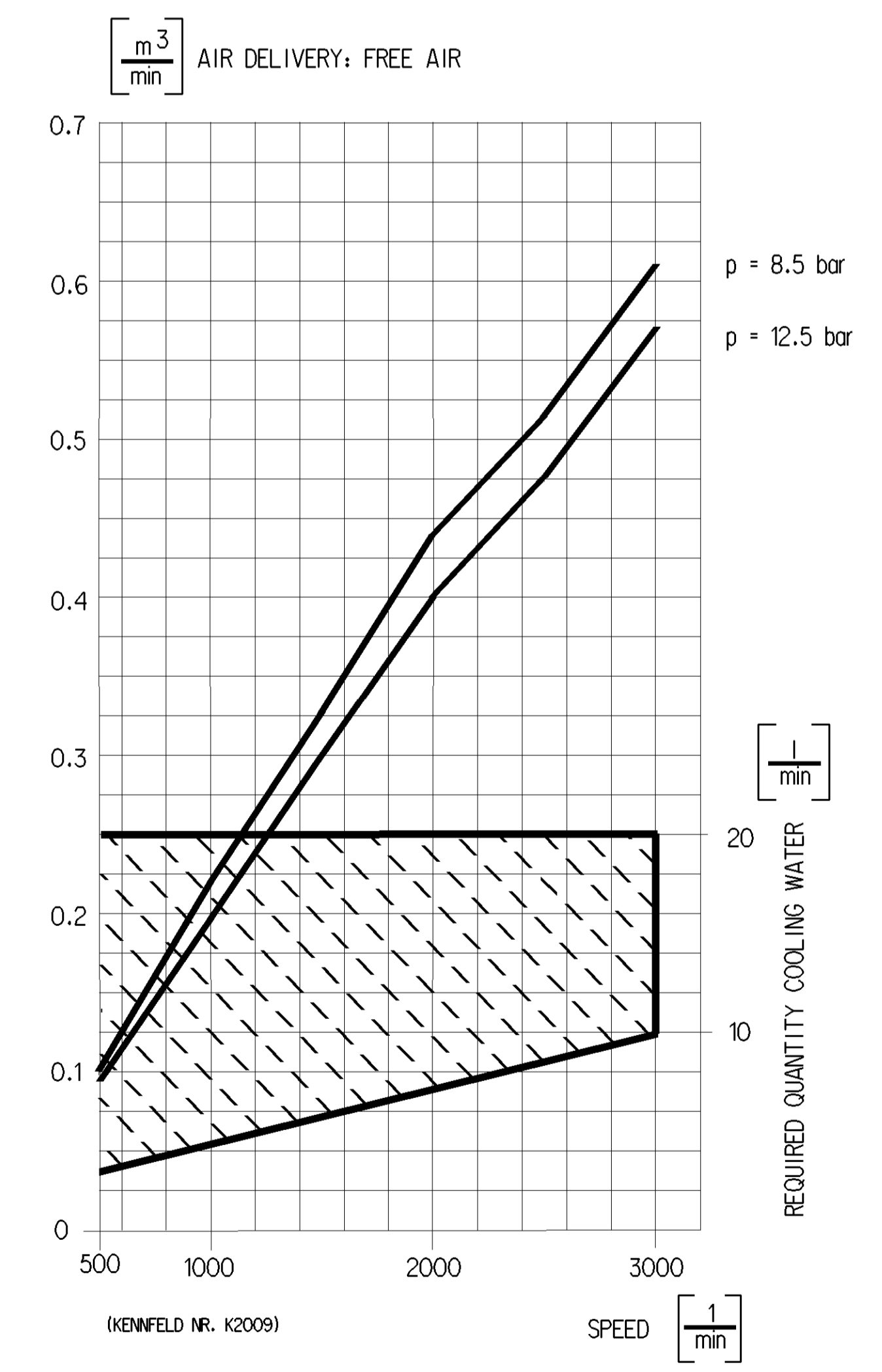
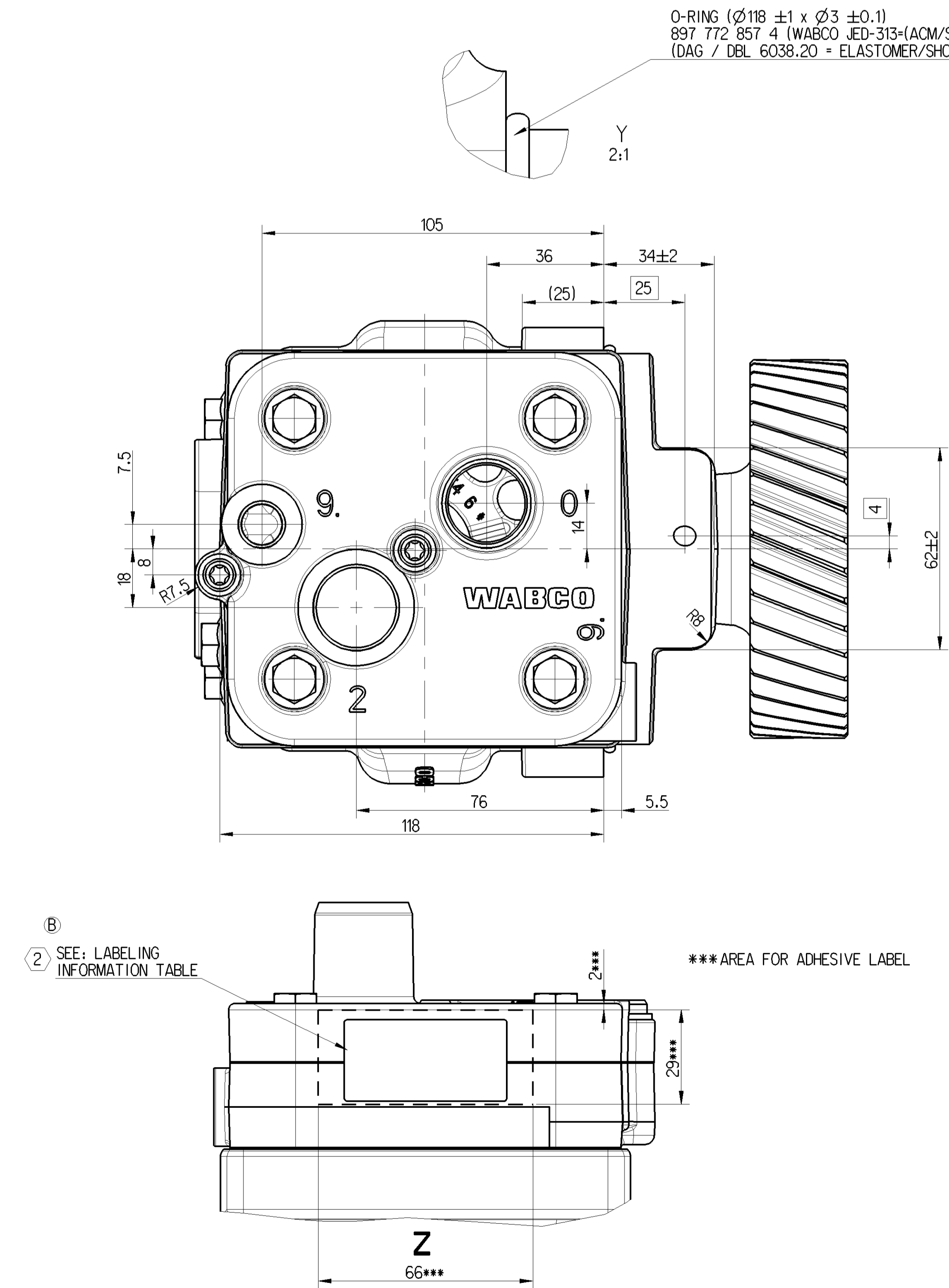
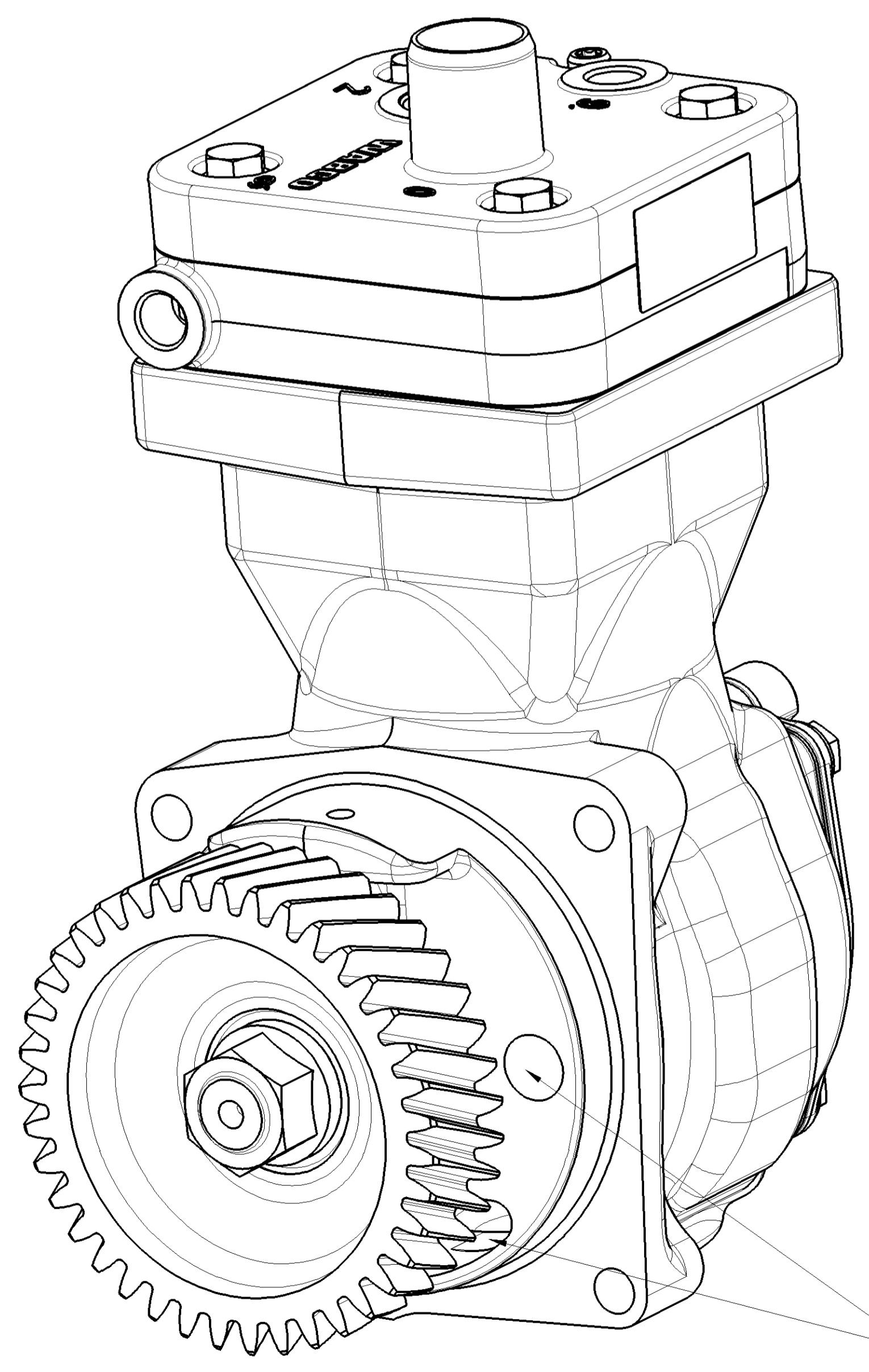


WORKING MEDIUM	AIR
COOLANT	WATER WITH ANTIFREEZE
BORE	∅ 85 mm
STROKE	62 mm
SWEPT VOLUME	352 cm <sup>3</sup>
MAX. WORKING SPEED	$n_{max} = 3000 \text{ min}^{-1}$
OVERSPEED (MAX. 4 SEC.)	$n_{ue} = 1.3 \times n_{max}$
MAX. WORKING PRESSURE	12.5 bar
MAX. PRESSURE	16 bar (3)
LUBRICATION SUPPLIED FROM ENGINE	
PORTS PROTECTED	
FREE FROM ASBESTOS	
CRANKCASE: SURFACE PROTECTION JED-069M	



0	SUCTION PORT	
2	DISCHARGE PORT	M ≤ 67 Nm (4)
8.1	OIL SUPPLY	
8.2	OIL DRAIN	
9.1	COOLANT CONNECTION	M ≤ 25 Nm (4)
9.2	COOLANT CONNECTION	M ≤ 25 Nm (4)



⑧ \*\* ALSO VALID FOR PRI: 037, 003

LABELING INFORMATION TABLE (SEE ALSO DOC.922)		
PRODUCTION SITE	LABEL	LABEL ID NUMBER
PRI 048 **	①	899 050 145 4
	②	899 202 425 4

General Specifications: JED-334-1, Size ISO 14404 LP

Further Technical Data: 411 154 004 R

Doc. Code: 0300

General Tolerance: ISO 2768

Range of Nominal Dimensions (L ± mm)

Class	to ± 0.50	± 0.50	± 0.50	± 0.50	± 0.50	± 0.50
Fine	0.5	1.0	1.5	2.0	3.0	4.0
Medium	1.0	2.0	3.0	4.0	5.0	6.5
Course	2.0	3.5	5.0	6.5		

WABCO COMPRESSOR

411 154 004 R

006 EN 1/1

This compressor is intended for use in motor vehicles. It is not intended for use in other applications. The manufacturer is not responsible for any damage caused by the use of this compressor in applications other than those intended. The manufacturer is not responsible for any damage caused by the use of this compressor in applications other than those intended. The manufacturer is not responsible for any damage caused by the use of this compressor in applications other than those intended.