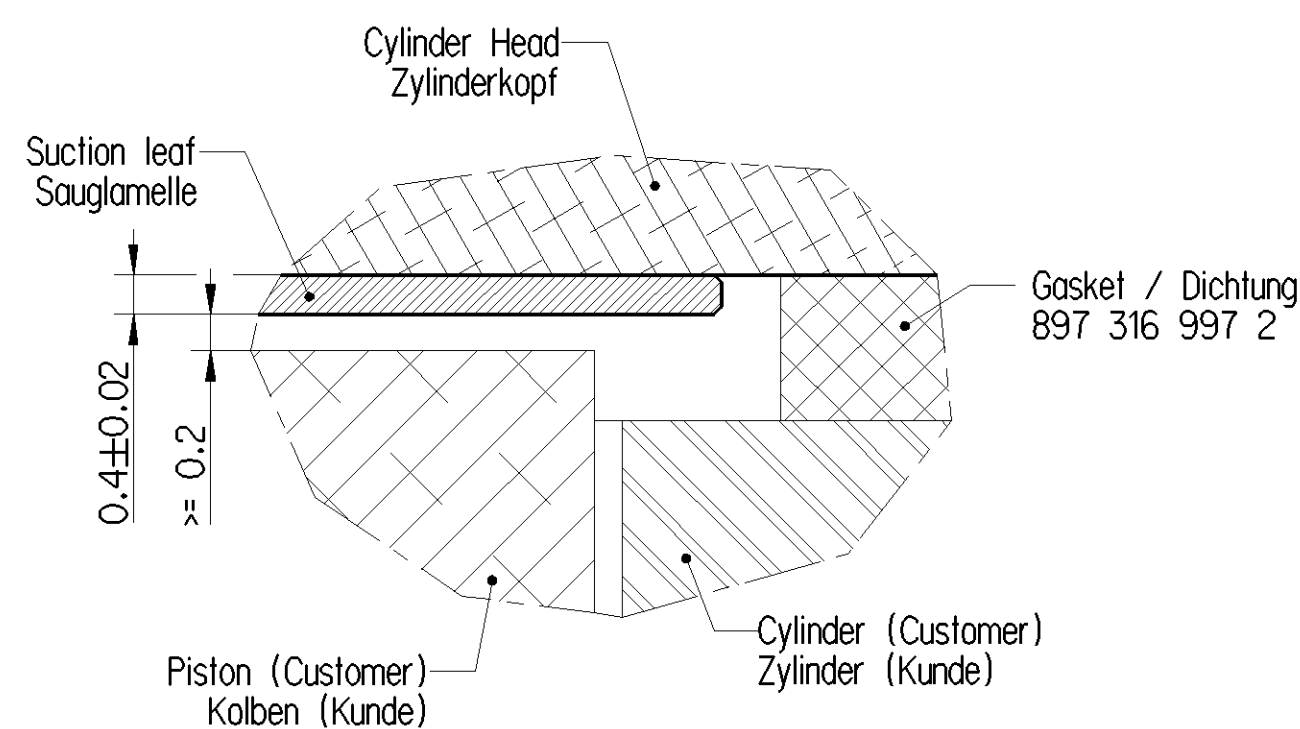


INSTALLATION INSTRUCTION :
 EINBAUINWEIS :
 INDICATION POUR L'INSTALLATION :
 INDICAZIONE DI MONTAGGIO :

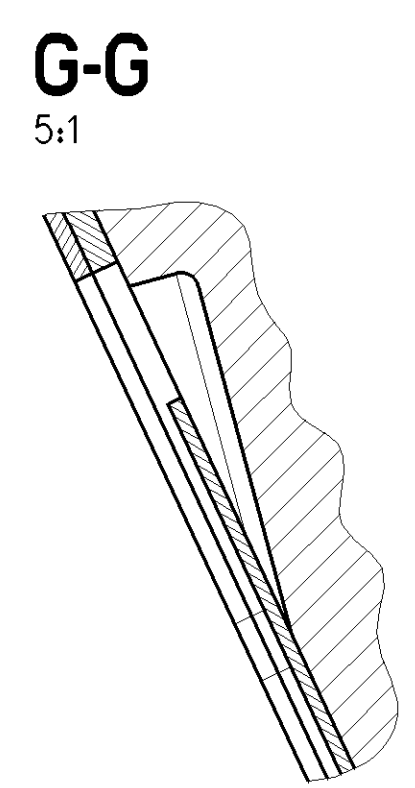
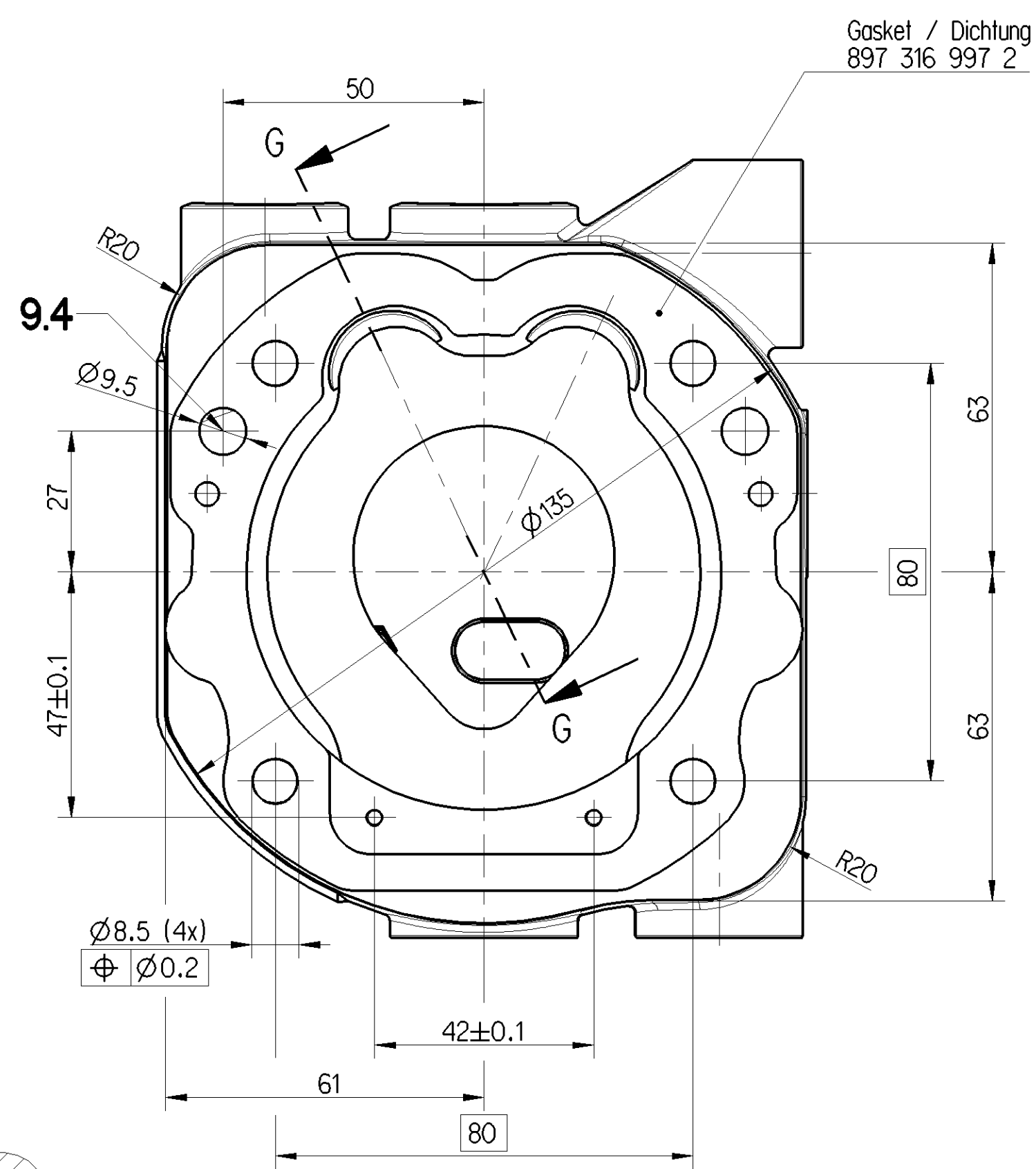
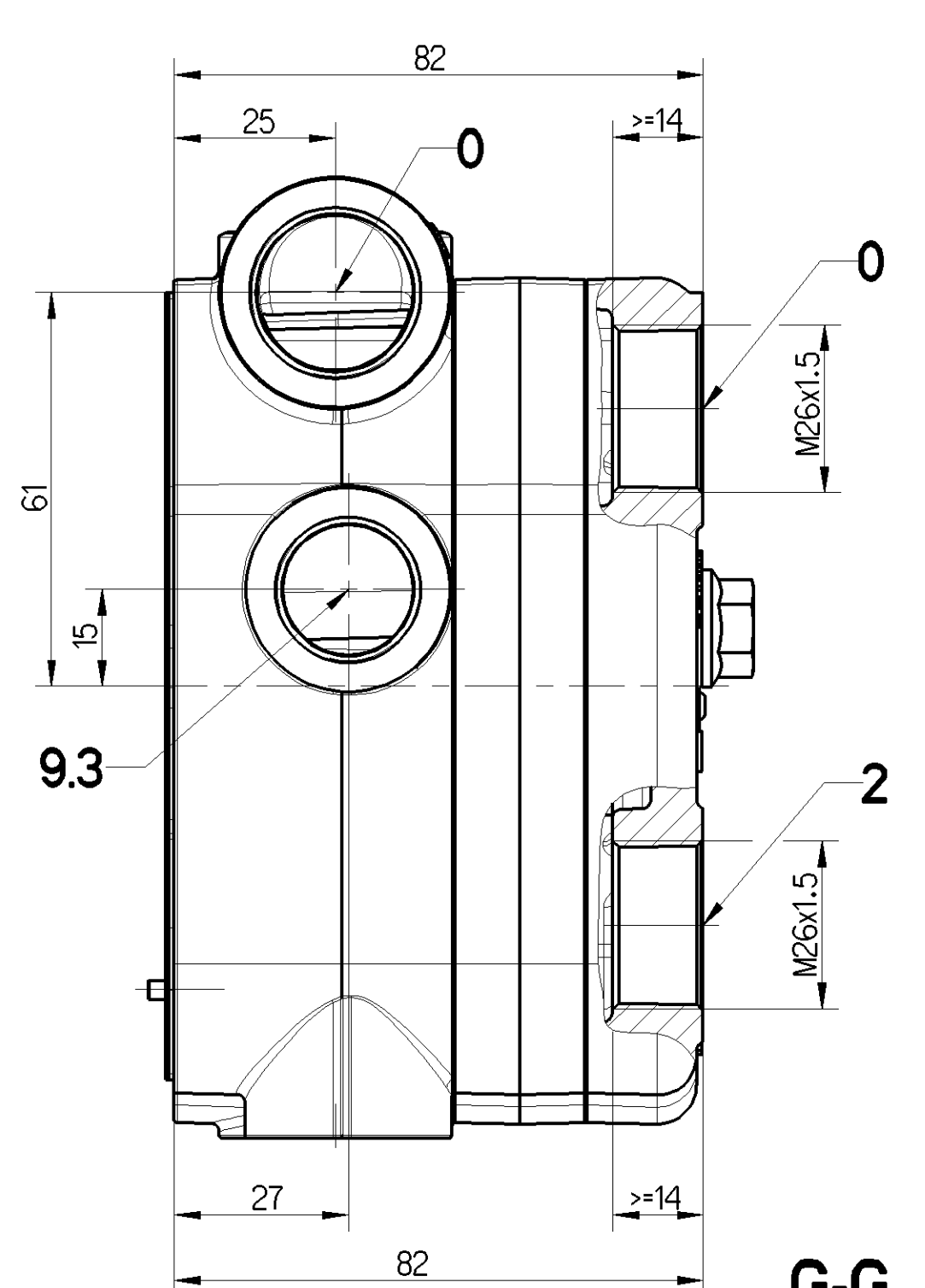
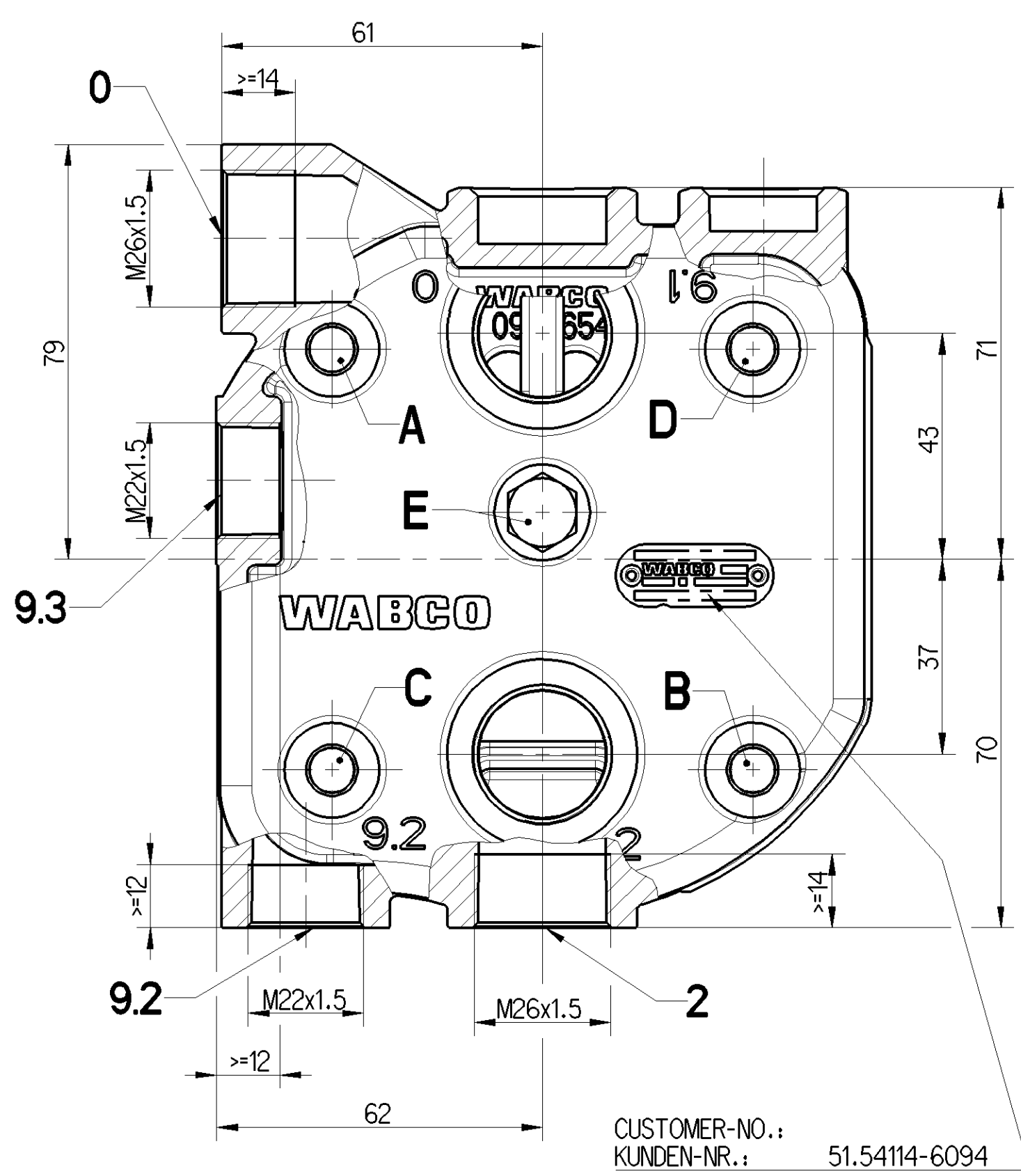


- 0 SUCTION PORT
SAUGANSCHLUSS
ORIFICE D'ASPIRATION
ASPIRAZIONE
- 2 DISCHARGE PORT
DRUCKANSCHLUSS
REFOULEMENT
ORIFICE DI MANDATA
- 9.2 - 9.4 COOLANT CONNECTION
KUEHLMITTELANSCHLUSS
CONNEXION DE FLUIDE DE REFRIGERISSEMENT
COLLEGAMENTO LIQUIDO REFRIGERANTE
- 9.4 ← 9.2/9.3 DIRECTION OF FLOW
DURCHSTROMRICHTUNG
SENS DE DEBIT
DIREZIONE DEL FLUSSO

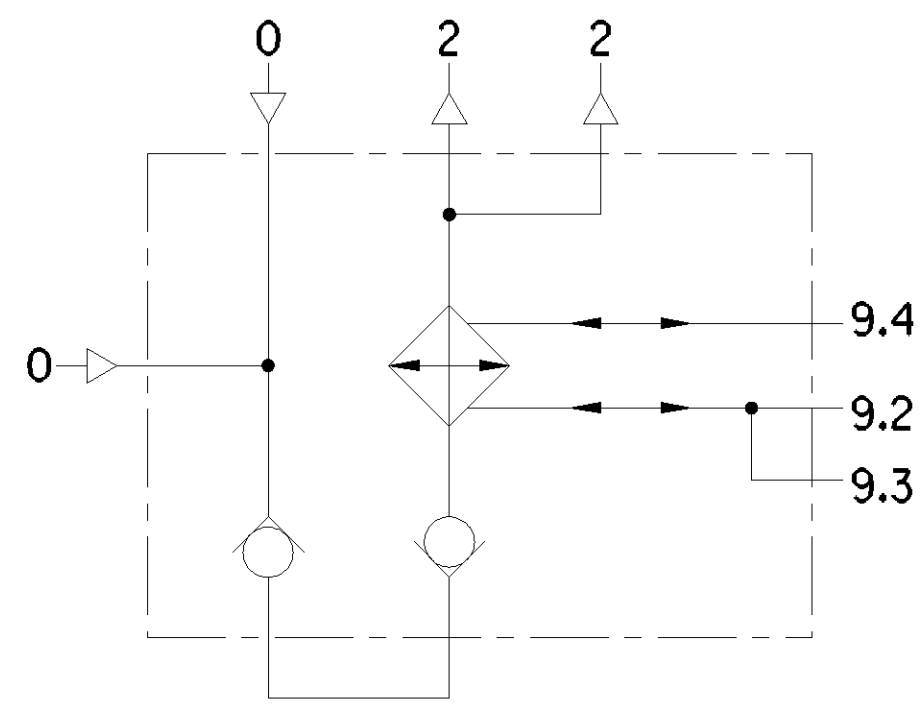
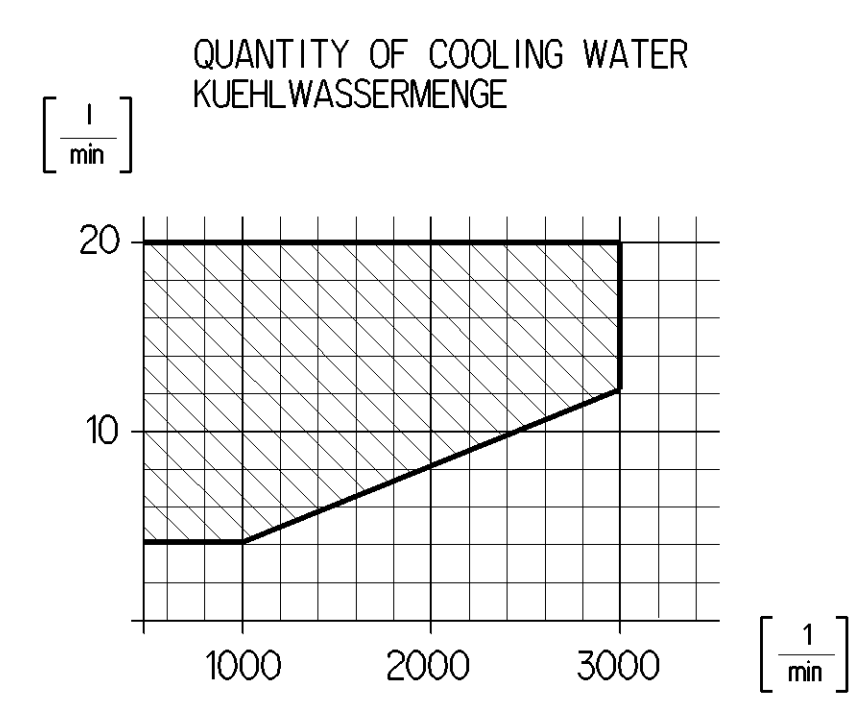
Instruction for assembly / Montageanweisung

Step Schritt	Sequence Reihenfolge	Torque (Nm) Einschraubmoment	Screw angle (°) Weiterdrehwinkel
1	A, B, C, D	20 ± 2	
2	A, B, C, D		90 +10/-5
3	A, B, C, D		90 +10/-5
4	E	10 ± 1	
5	E		90 +10/-5

Screws / Schrauben A,B,C,D : M8-10.9 lg. 100mm (891 211 781 4)



- WORKING MEDIUM : COMPRESSED AIR
BETRIEBSMEDIUM : DRUCKLUFT
FLUIDE D'UTILISATION: AIR COMPRIE
FLUIDO DI ESERCIZIO : ARIA COMPRESSA
- COOLANT : WATER
KUEHLMEDIUM : WASSER
FLUIDE DE REFRIGERISSEMENT : EAU
FLUIDO DI REFRIGERANTE : ACQUA
- BORE (CUSTOMER) : Ø 90 mm
BOHRUNG (KUNDE) :
ALESAGE (CLIENT) :
FORO (CLIENTE) :
- SWEPT VOLUME (CUSTOMER) : <= 318 cm³
HUBRAUM (KUNDE) :
CILINDREE (CLIENT) :
CILINDRATA (CLIENTE) :
- MAX. WORKING SPEED : n_{max} = 3000 min⁻¹
MAX. BETRIEBSDREHZAHL :
VITESSE D'UTILISATION MAXI.:
VELOCITA' DI ROTAZIONE MAX.:
- OVERSPEED (MAX. 4 SEC.) : n_{ue} = 1.3 x n_{max}
UEBERDREHZAHL (MAX. 4 SEC.) :
SURVITESSE (MAXI. 4 SEC.) :
SOVRAVELOCITA (MAX. 4 SEC.) :
- MAX. WORKING PRESSURE : 12.5 bar
MAX. BETRIEBSDRUCK :
PRESSION D'UTILISATION MAXI :
PRESSIONE DI ESERCIZIO MAX :
- MAX. PERMISSIBLE TEMPERATURE AT DISCHARGE PORT : 220 °C
MAX. ZULASSIGE DRUCKSTUZZENTEMPERATUR :
TEMPERATURE MAXI. ADMISSIBLE REFOULEMENT :
TEMPERATURA MAX. AMMISSIBILE ORIFICE DI MANDATA :
- MAX. COOLING WATER PRESSURE : 2 bar
MAX. KUEHLWASSERDRUCK :
PRESSION D'EAU MAXI. :
PRESSIONE D'ACQUA MAX. :
- TORQUE : M22x1.5: M<100Nm
ANZUGSMOMENT : M26x1.5: M<100Nm
COUPLE DE SERRAGE :
COPPIA DI SERRAGGIO :



General Specifications: JED-354-1, Size ISO 14405 LP		Copyright WABCO®	
Further Technical Data: 412 090 801 2		Date	Signature
Doc. Code: 535	Sheet: To	2015-07-22	Hennig
General Tolerances JED-261		Checked	Joeger
Range of Nominal Dimensions (± mm)		Expert	
Class 1)	< 50	50 > 180	> 180 > 400
Fine	±0.05	±0.10	±0.15
Medium	±0.10	±0.20	±0.30
Coarse	±0.20	±0.30	±0.50
Tapped Holes acc.		Grosskopf	
1) Tolerance Class Applied Crossmarked		Mass	Scale
		1.954 kg	1:1
		5.1	
		Material No. 412 090 804 2	
		Date of first issue: 2015-07-22	
		Doc. Code Language Sheet	
		005 DE 1/1	
		Revision Techn. Resp. Replacement for	
		5000 412 090 802 2	

Non e' permesso copiare o riprodurre questo documento, ne utilizzare il contenuto o i contenuti come base per altri documenti, senza permesso scritto dalla WABCO. Toute communication ou reproduction de ce document, toute exploitation ou communication de son contenu sont interdites, sauf autorisation écrite de la WABCO. No is permitted to copy or reproduce this document, or to use its content or the contents of this document as a basis for other documents, without the written permission of WABCO.