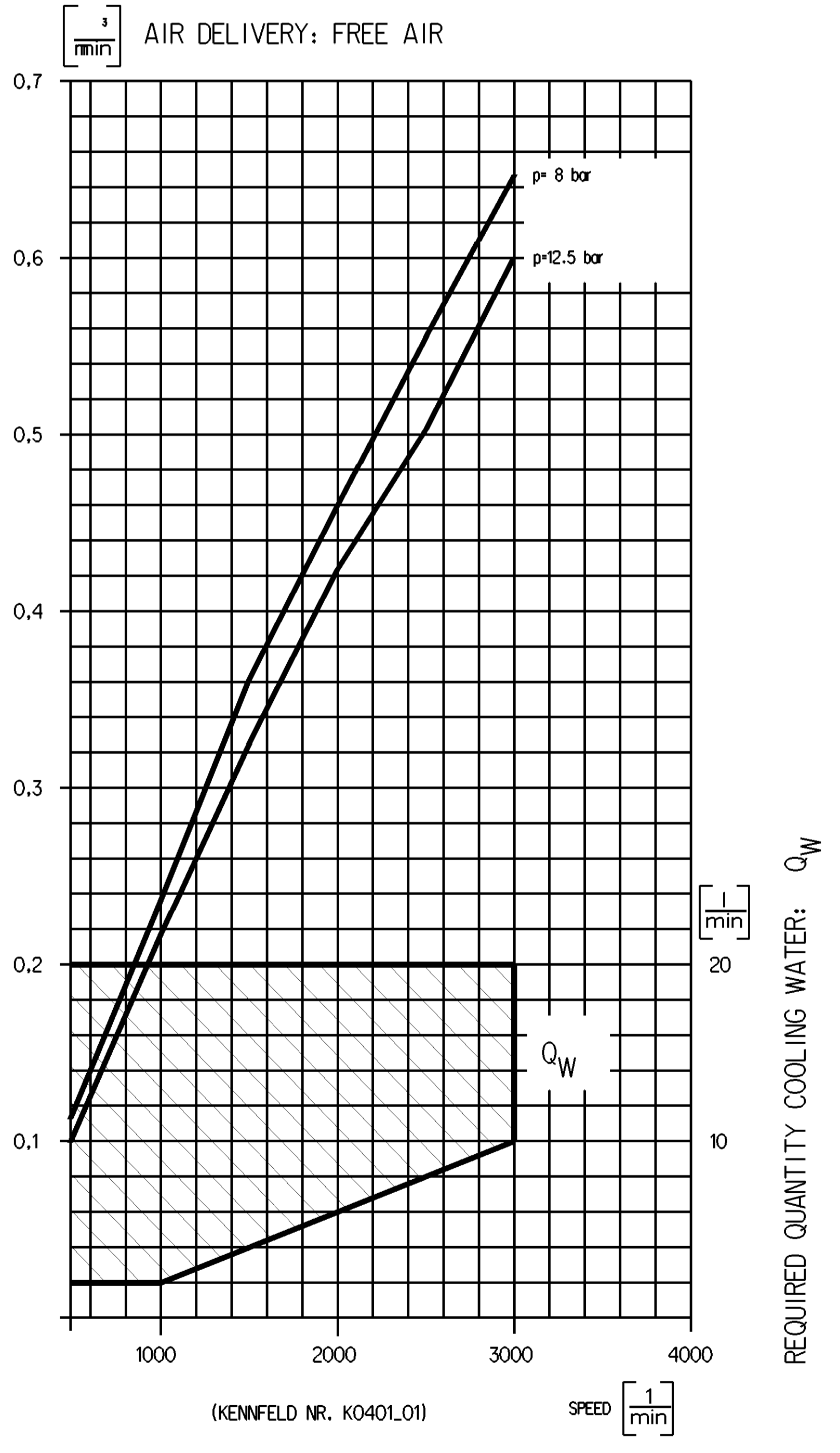
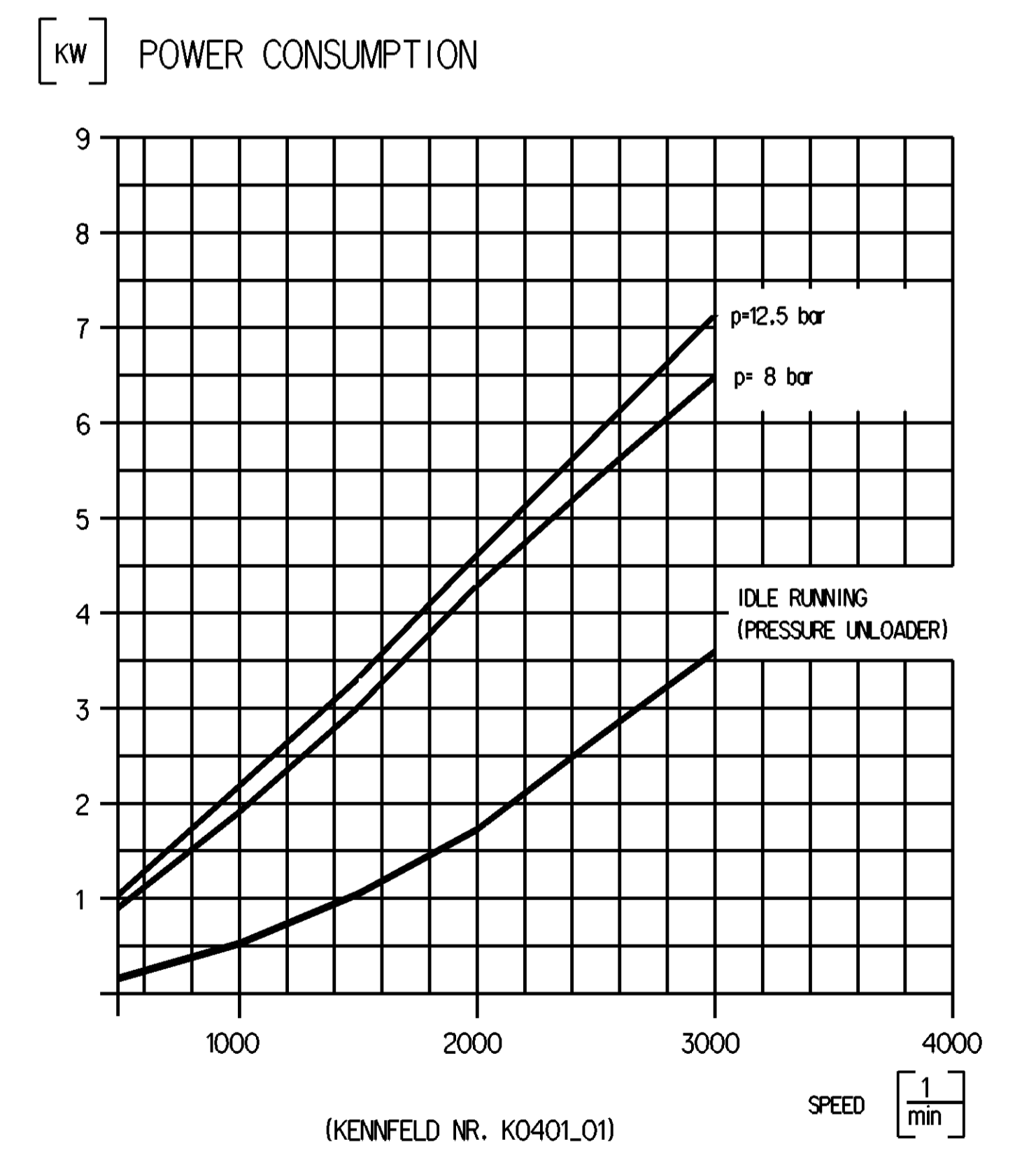
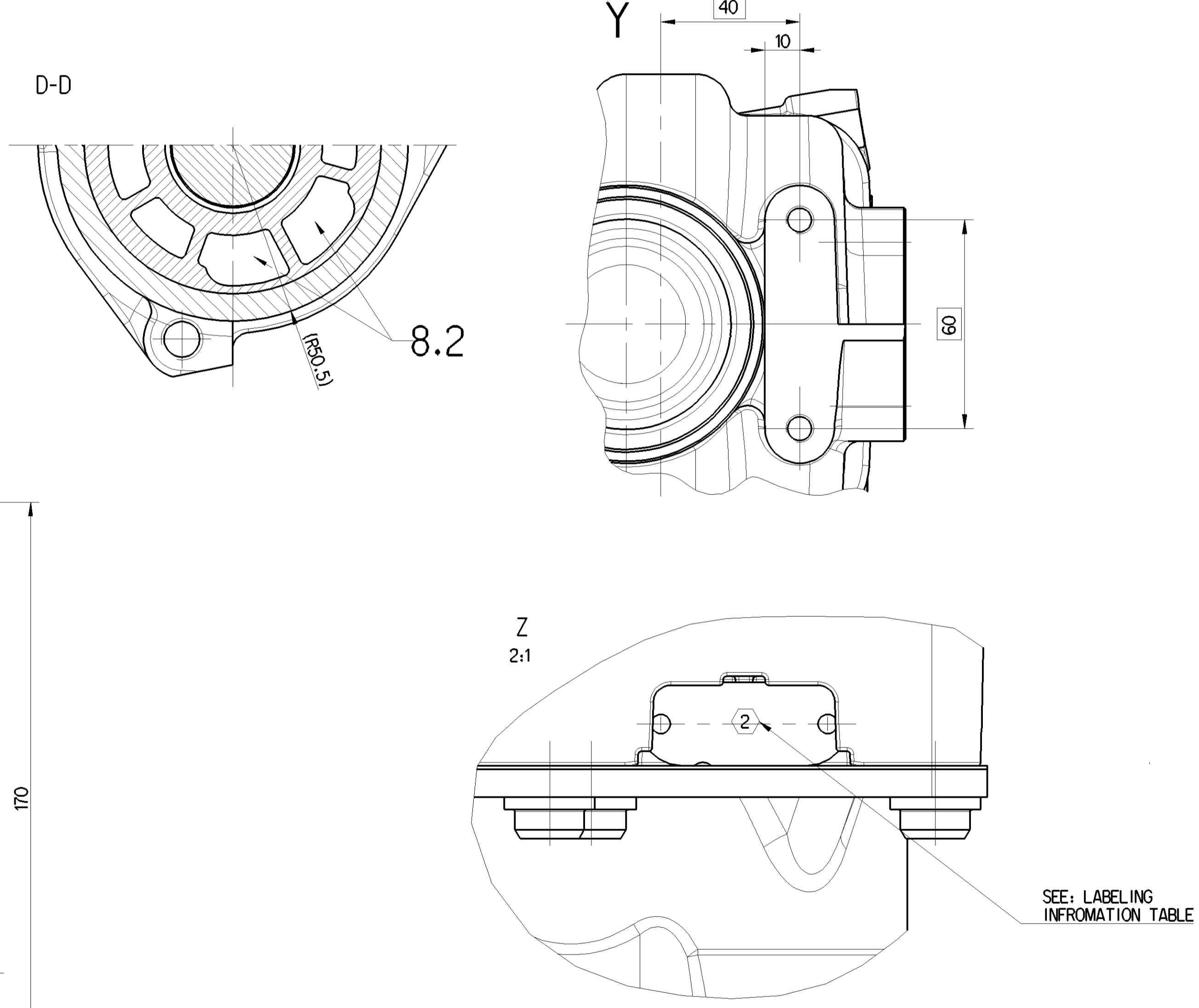
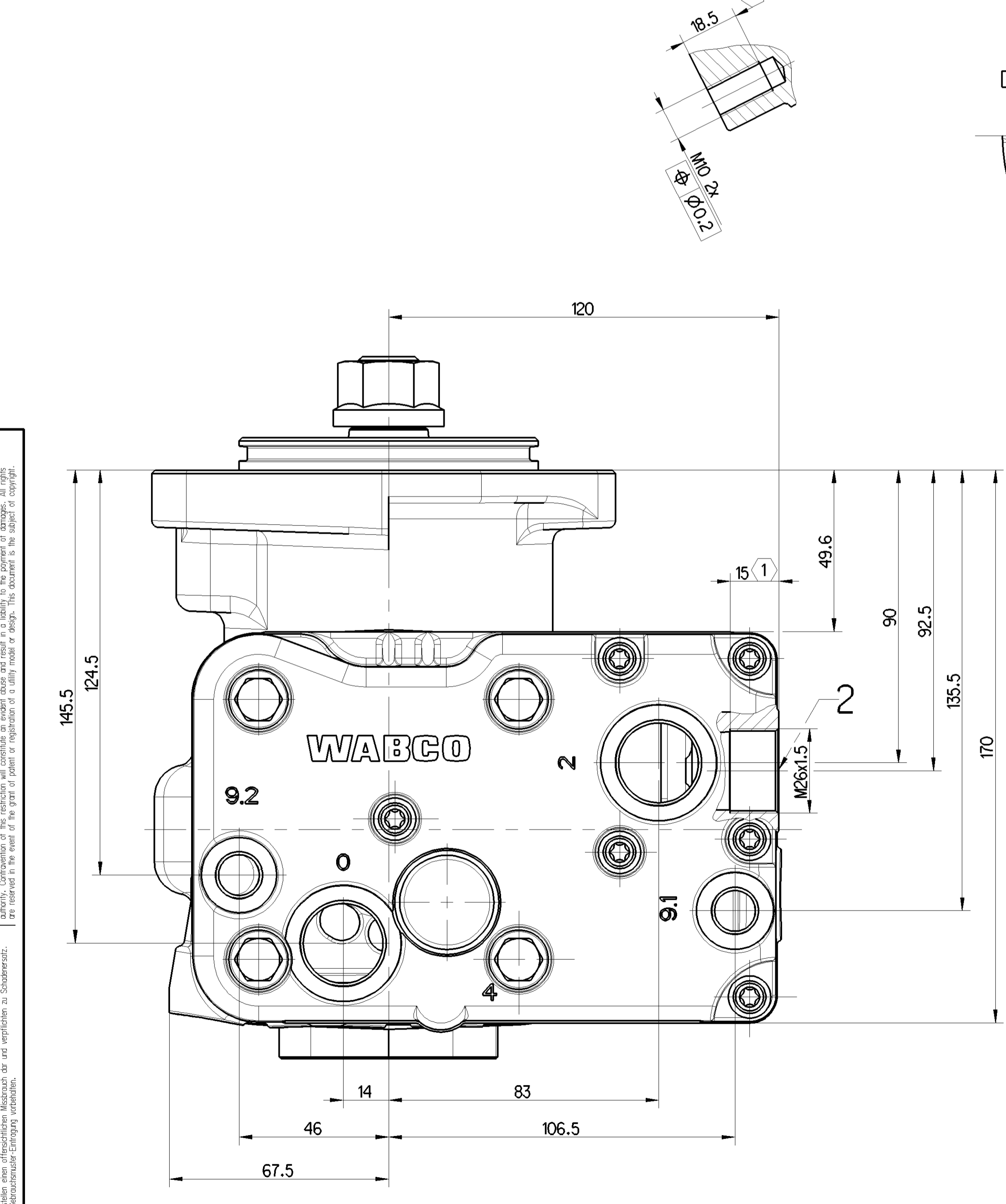
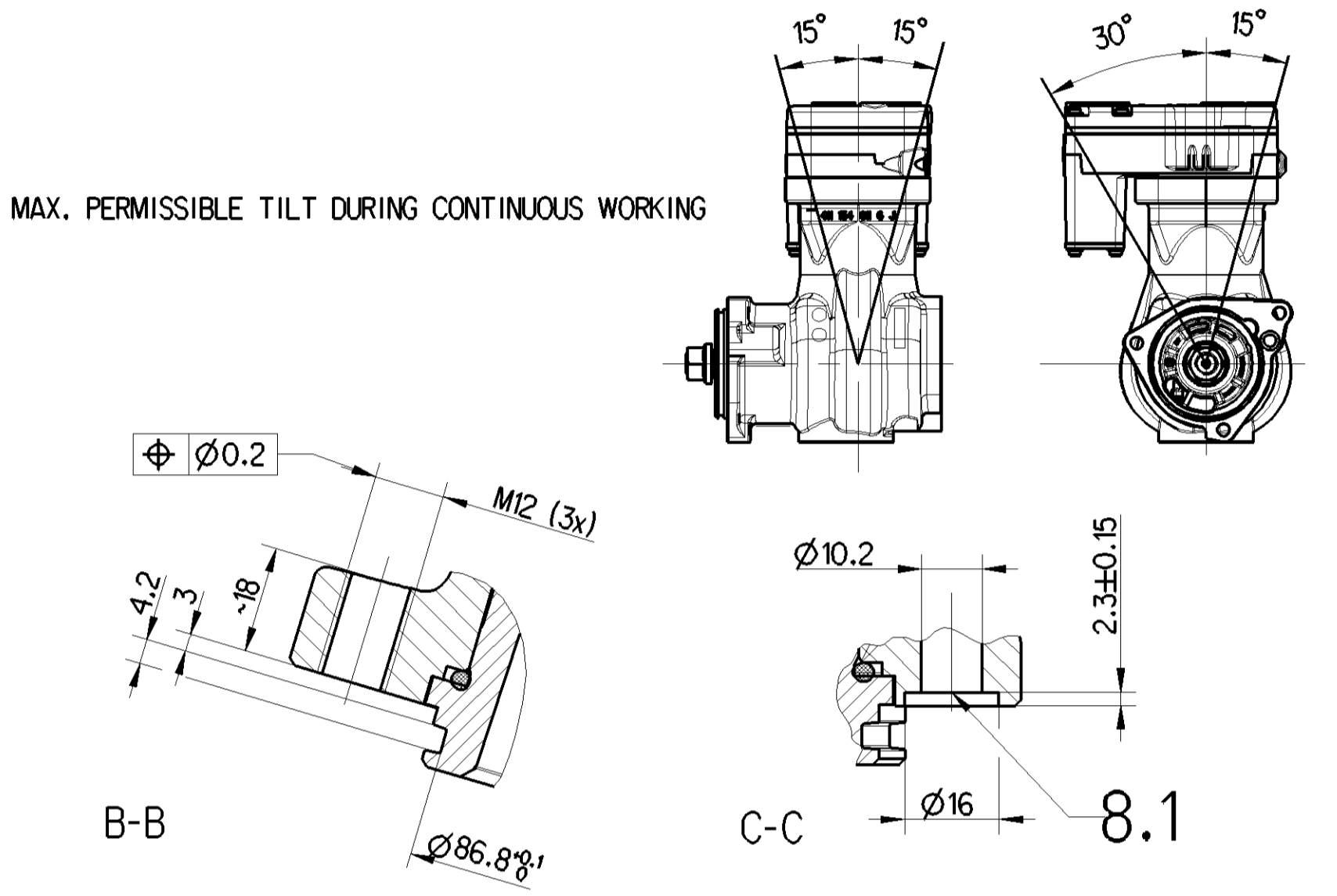
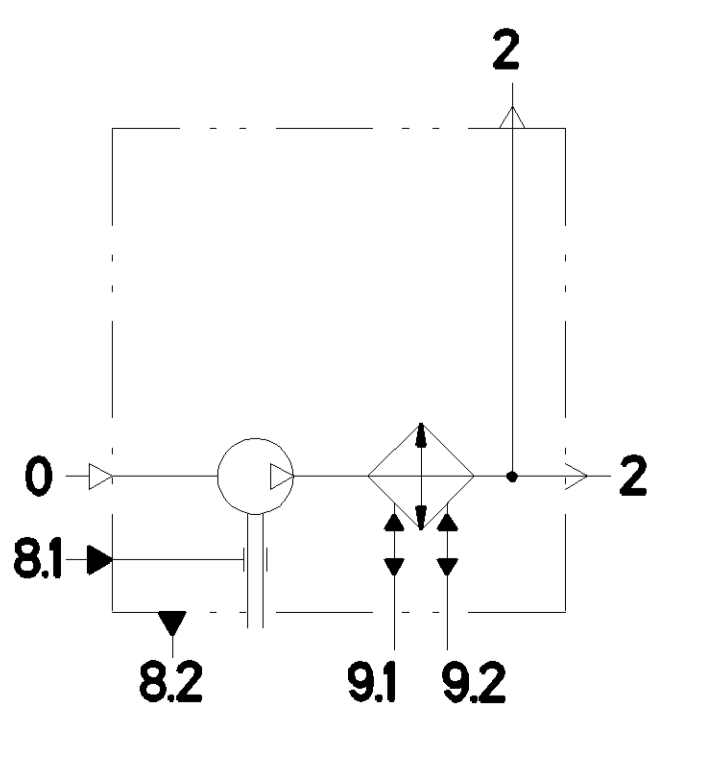


WORKING MEDIUM	AIR
COOLANT	WATER WITH ANTIFREEZE
BORE	∅ 85 mm
STROKE	62 mm
SWEPT VOLUME	352 cm <sup>3</sup>
MAX. WORKING SPEED	n <sub>max</sub> = 3000 min <sup>-1</sup>
OVERSPEED (MAX. 4 SEC.)	n <sub>ue</sub> = 1.3 x n <sub>max</sub>
MAX. WORKING PRESSURE	p <sub>e</sub> = 12,5 bar
MAX. PRESSURE AT PRESSUREPORT (TEMPORARILY MAX. 4 SEC.)	p <sub>e</sub> = 16 bar
MAX. PERMISSIBLE PRESSURE TEMPERATURE IN SERVICE	220 °C
END PLAY OF CRANKSHAFT	0.08 ... 0.38 mm
LUBRICATION SUPPLIED FROM ENGINE	
FREE FROM ASBESTOS	



0	SUCTION PORT	M ≤ 100 Nm
2	DISCHARGE PORT	M ≤ 100 Nm
8.1	OIL SUPPLY	
8.2	OIL DRAIN	
9.1/9.2	COOLANT CONNECTIONS	M ≤ 35 Nm



•• ALSO VALID FOR PRI: 037, 003

LABELING INFORMATION TABLE (SEE ALSO DOC.922)		
PRODUCTION SITE	LABEL	LABEL ID NUMBER
PRI 048 ••	②	899 050 145 4

General Specifications	JED-354-0	Design 41000*	<b>WABCO</b>
Further Technical Data	412 352 003 R (A)	Title	System
Doc. Code	030	Serial	To B
Design	2018-07-17	Drawn	Zygabo
Design Tolerances	ISO 2011	Checked	Fiborski
Range of Nominal Dimensions L (a mm)		Accepted	Zygabo
Class	1	2	3
Size	0.5	1.0	1.5
Medium	X	1.0	2.0
Course	2.0	3.5	5.0
Class	1	2	3
Size	0.5	1.0	1.5
Medium	X	1.0	2.0
Course	2.0	3.5	5.0
Tapped Holes acc.			
Tolerance class	Applied	Dimension	
Material	412 352 003 R	Date of 1st ed.	2018-07-03
Revision	006	Langage	EN
Part	1/1	Sheet	1/1