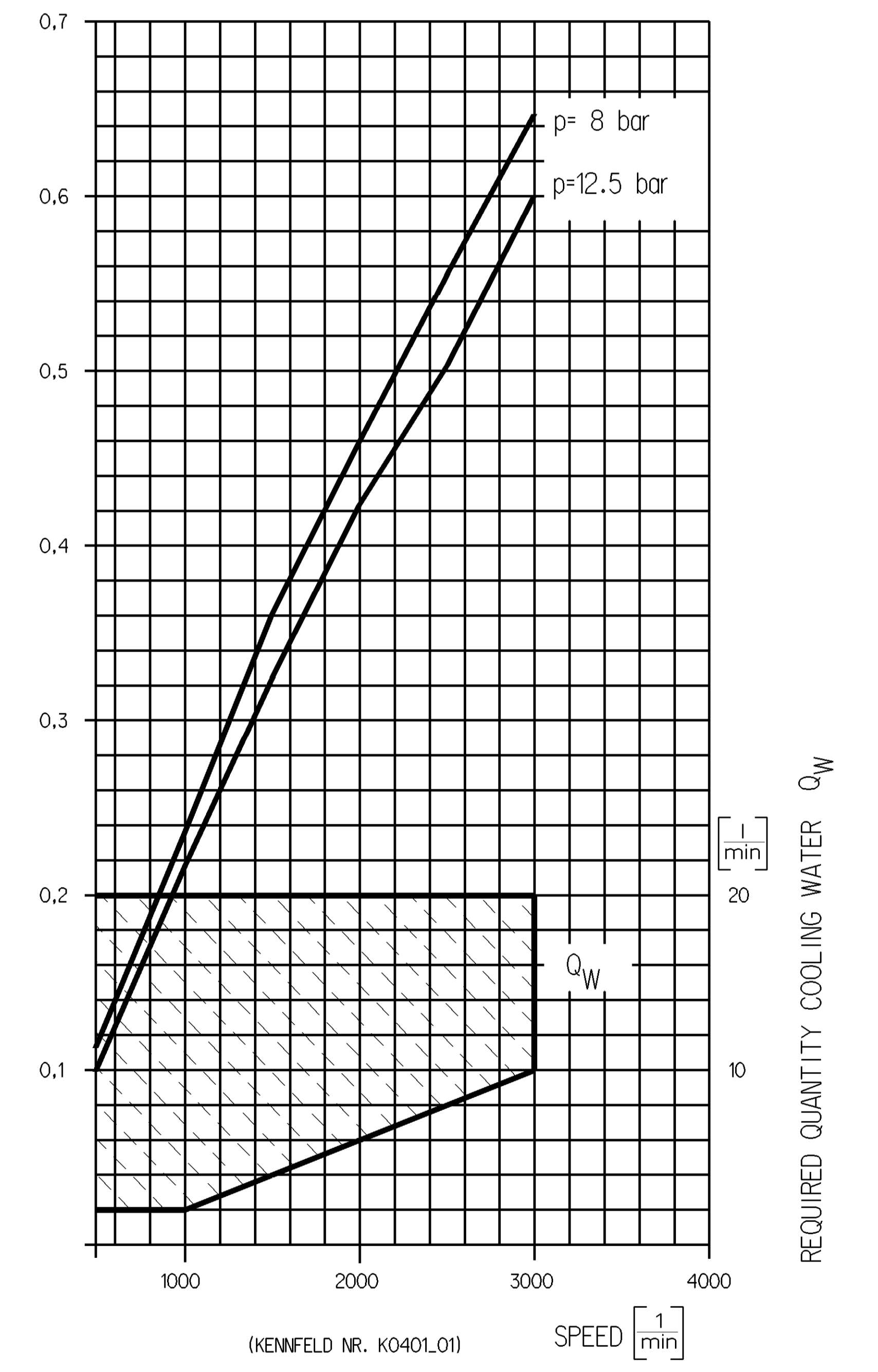


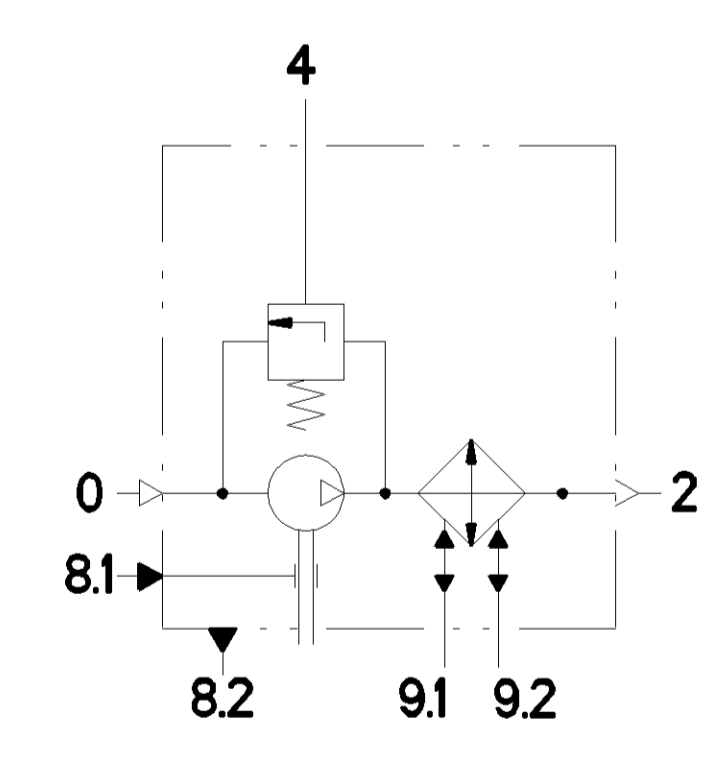
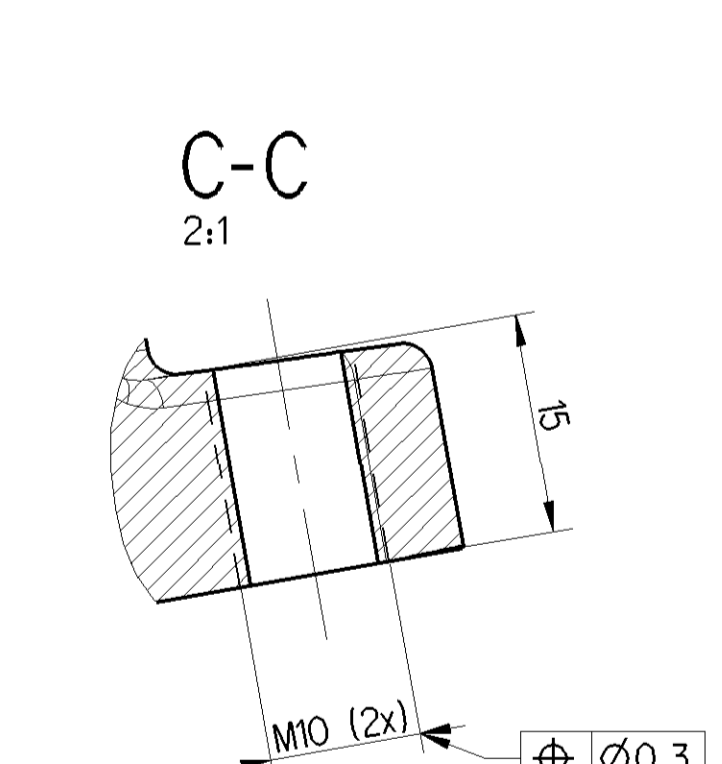
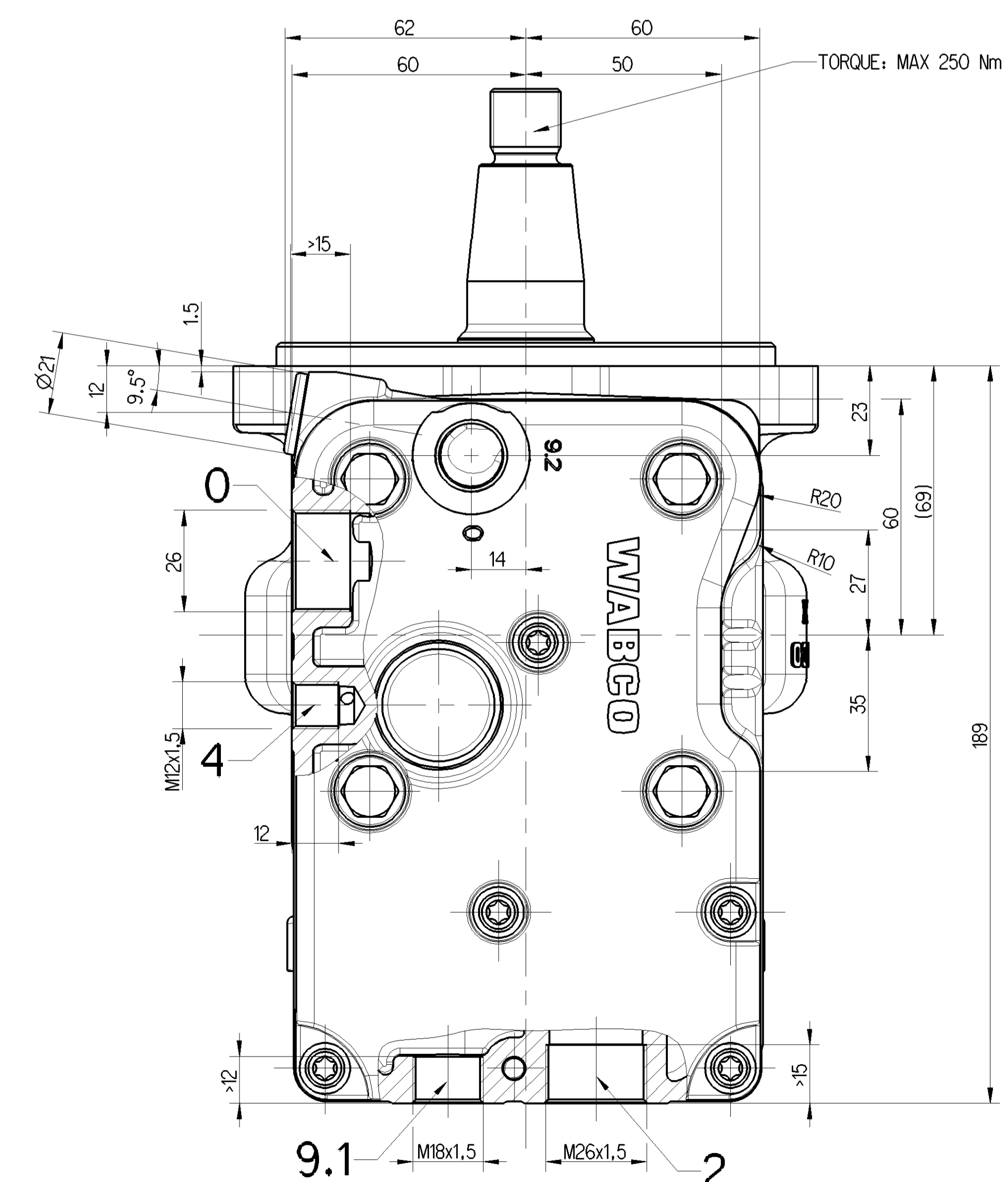
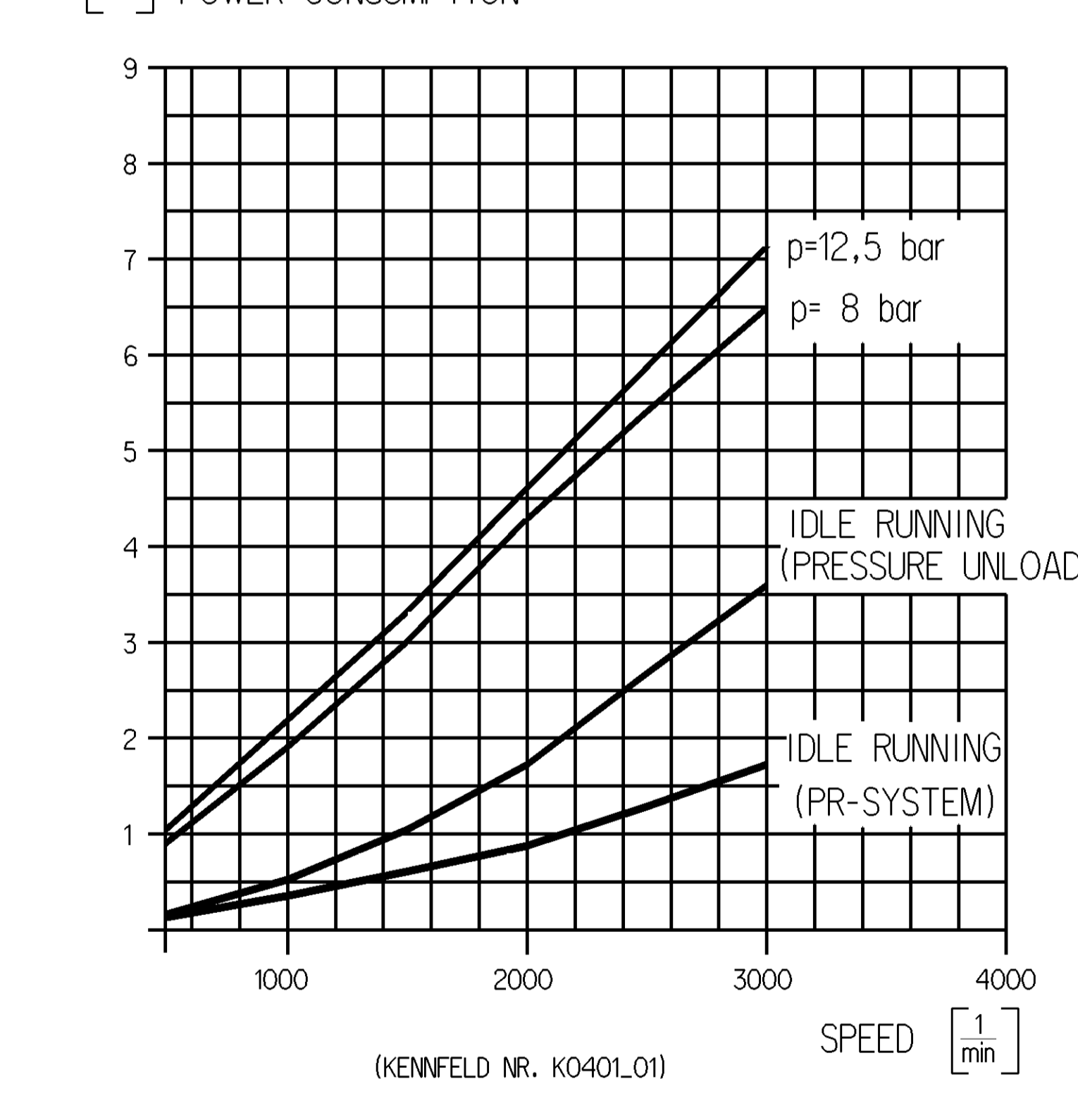
WORKING MEDIUM	AIR
COOLANT	WATER WITH ANTIFREEZE
BORE	Ø 85 mm
STROKE	62 mm
SWEPT VOLUME	352 cm ³
MAX. WORKING SPEED	$n_{max} = 3000 \text{ min}^{-1}$
OVERSPEED (MAX. 4 SEC.)	$n_{ue} = 1.3 \times n_{max}$
MAX. WORKING PRESSURE	14 bar (2)
TOP PRESSURE (MAX. 4 SEC)	16 bar (2)
END PLAY OF CRANKSHAFT	0.08 ... 0.38 mm
LUBRICATION SUPPLIED FROM ENGINE	
FREE FROM ASBESTOS	

(2) MEASURE AT DISCHARGE PORT

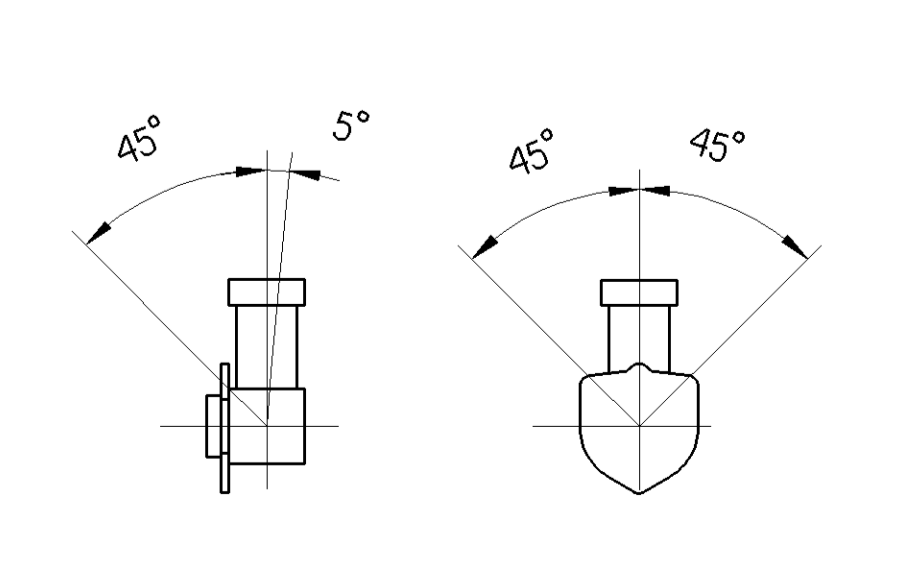
∫_{min}^{m³} AIR DELIVERY: FREE AIR



[kW] POWER CONSUMPTION



0	SUCTION PORT	M ≤ 100 Nm
2	DISCHARGE PORT	M ≤ 100 Nm
4	GOVERNOR PORT	M ≤ 25 Nm
8.1	OIL SUPPLY	
8.2	OIL DRAIN	
9.1	COOLANT CONNECTION	M ≤ 35 Nm
9.2	COOLANT CONNECTION	M ≤ 35 Nm



MAX. PERMISSIBLE TILT DURING CONTINUOUS WORKING

(...) AUXILIARY DIMENSION
① CUSTOMER'S LABEL

General Specifications: 412-352-0	Copyright: WABCO®	WABCO
Further Technical Info: 412 352 020 0	Year: 2016-12-01	Sheet: 1 of 5
Doc. Code: 035	Revision: 2016-12-01	Design: Trojako
General Tolerances: ISO 2011	Scale: 1:1	Part: Skobodon
Class to: ±0.5 / ±0.3 / ±0.2 / ±0.1 / ±0.05	Material: B.4	Working No.: 412 352 020 A
Medium: X	Size: 2.0 / 3.5 / 5.0 / 6.5	Date of 1st issue: 2016-12-01
Course: X	Size: 2.0 / 3.5 / 5.0 / 6.5	Doc. Code: 006
Trapped Holes acc.:		Version: 005
Tolerance class: Applied/Dimensioned	A 0	EN 1/1