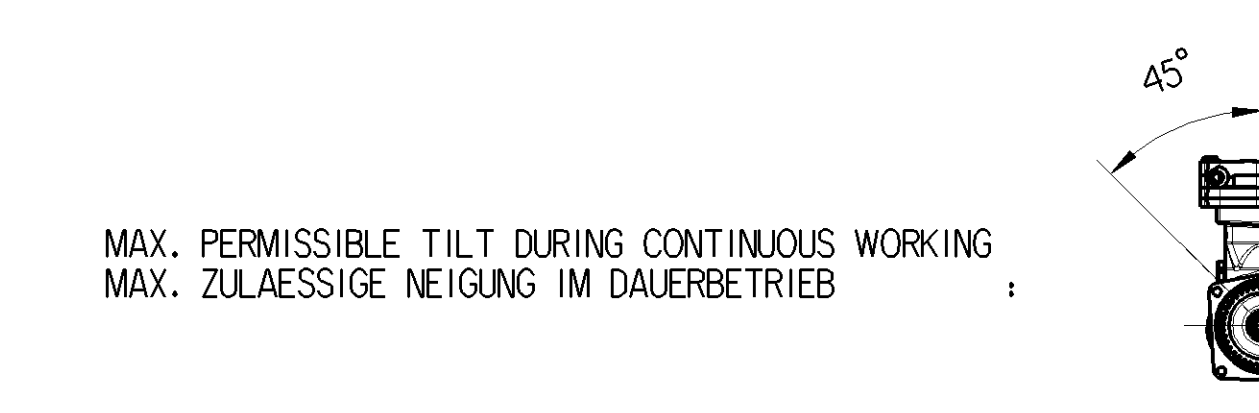


WORKING MEDIUM : AIR
 BETRIEBSMEDIUM : LUFT
 COOLANT MEDIUM : WATER WITH ANTIFREEZE
 KUEHLMEDIUM : WASSER MIT FROSTSCHUTZ
 BORE : $\varnothing 85$ mm
 STROKE : 62mm
 SWEEP VOLUME : 352 cm³ (15.5CFM)
 HUBRAUM :
 MAX. WORKING SPEED : $n_{max} = 3000$ min⁻¹
 MAX. BETRIEBSDREHZAHL :
 OVERSPEED (TEMPORARILY < 4 Sec.) : $n_{ub} = 1.3 \times n_{max}$
 UEBERDREHZAHL (KURZZEITIG < 4 Sek.) :
 MAX. WORKING PRESSURE : $p_e = 12.5$ bar
 MAX. BETRIEBSDRUCK :
 MAX. PRESSURE : $p_e = 16$ bar *
 HOECHSTDRUCK :

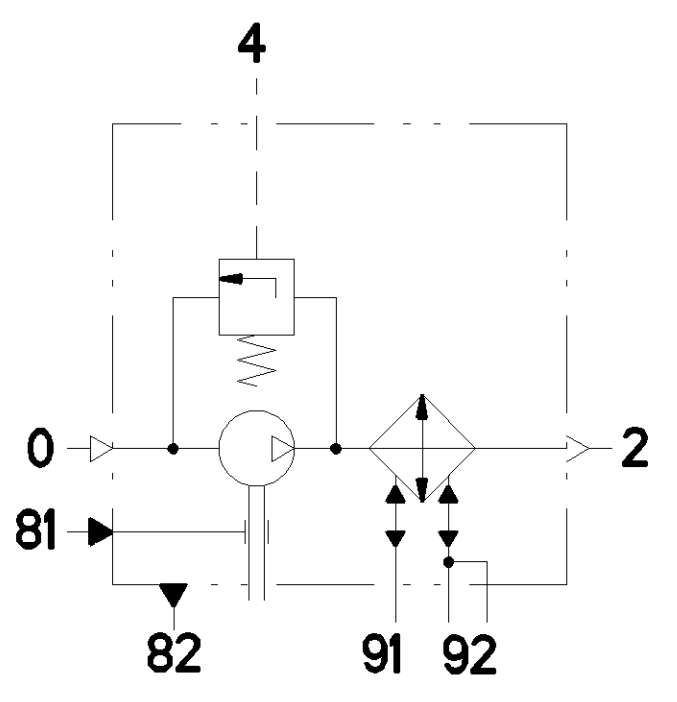
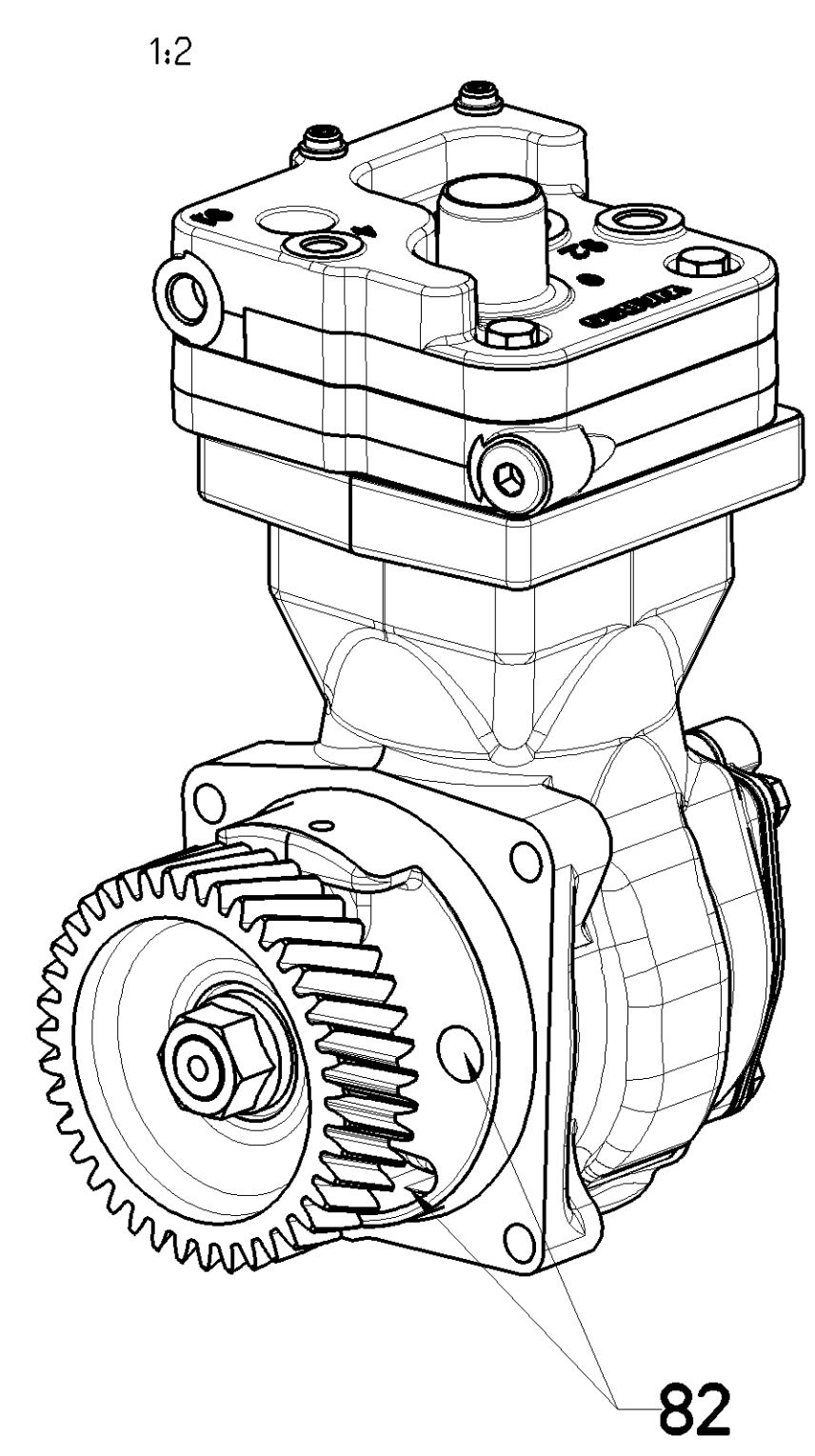
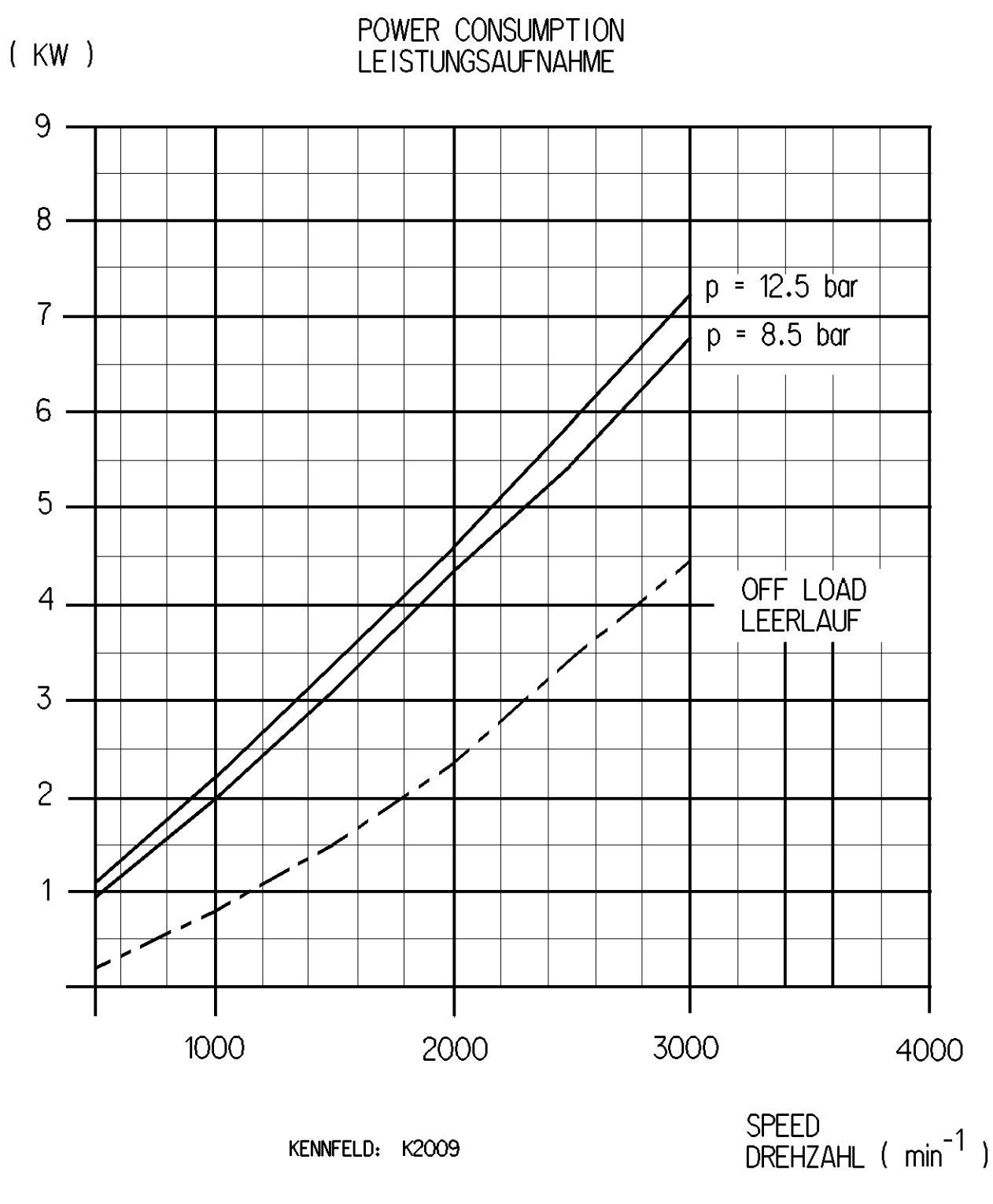
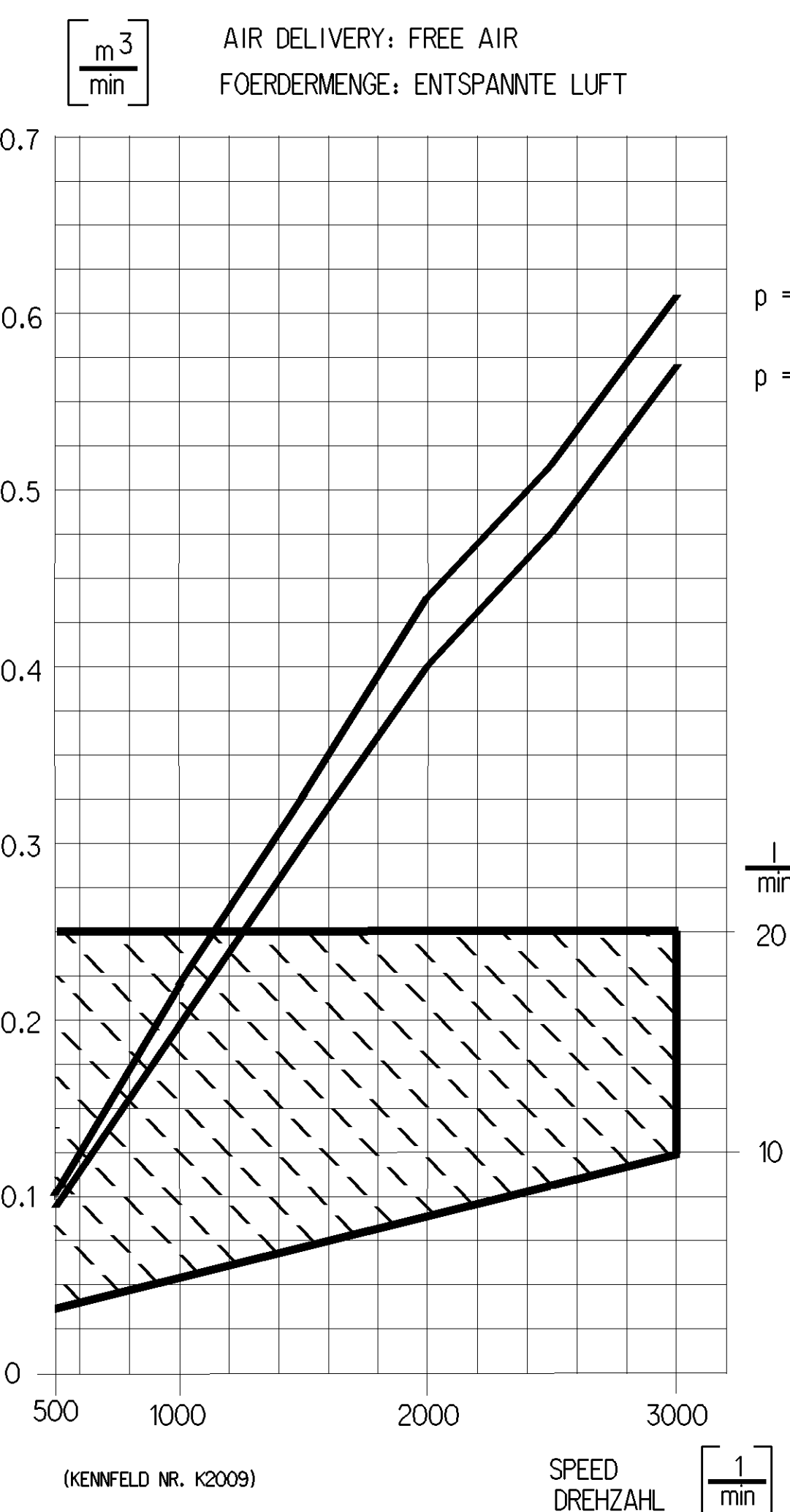
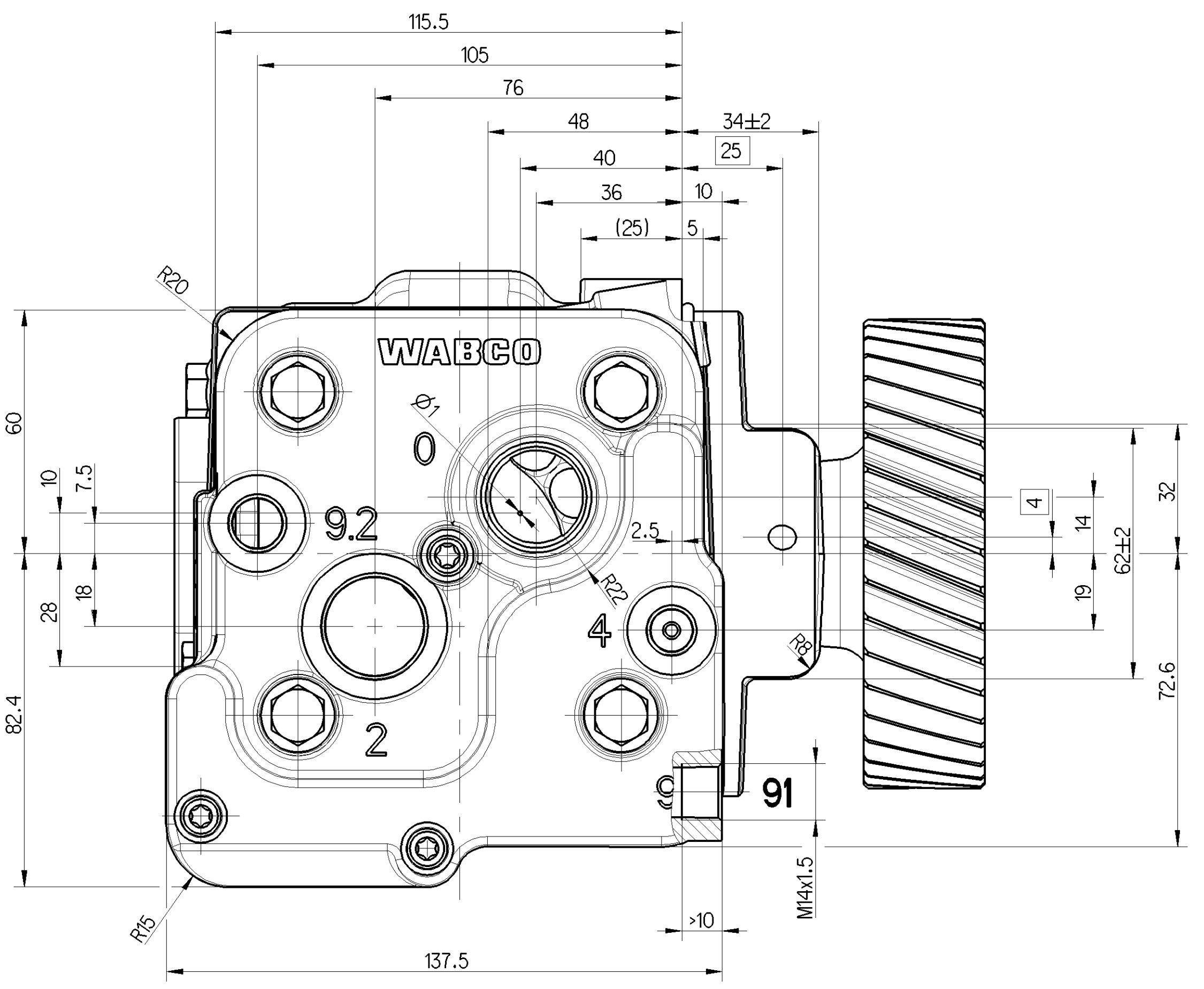
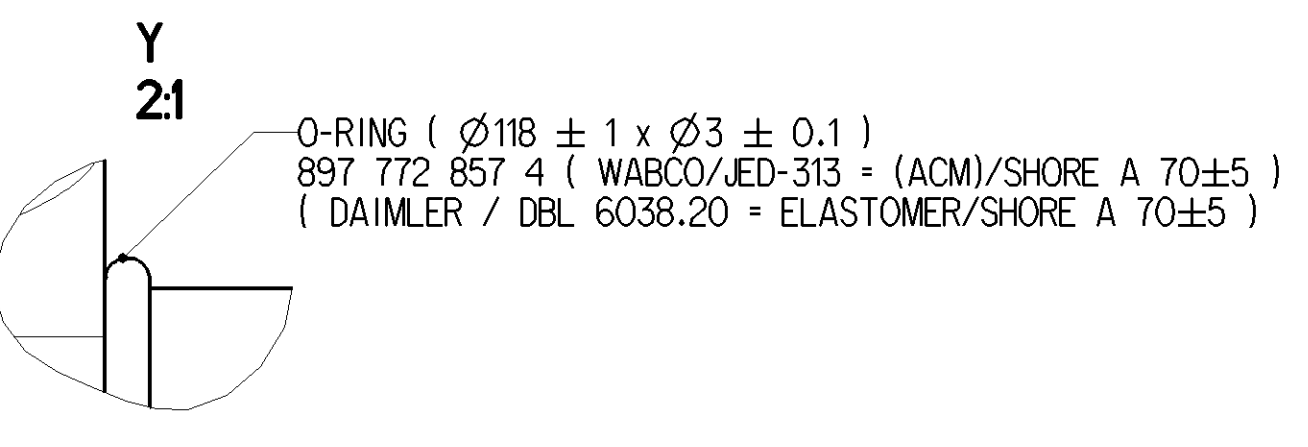
* MEASURING POINT : DISCHARGE PORT
 MESSPUNKT : DRUCKANSCHLUSS
 END PLAY OF CRANKSHAFT : 0.05...0.35 mm
 AXIALSPIEL DER KURBELWELLE :
 LUBRICATION : LUBRICATION SUPPLIED FROM ENGINE
 SCHMIERART : UMLAUFSCHEMUNG MIT DRUCKANSCHLUSS
 FREE FROM ASBESTOS : ASBESTFREI
 PORTS PROTECTED : ANSCHLUESSE GESCHUETZT



- 0 = INLET PORT SAUGANSCHLUSS
- 2 = DISCHARGE PORT DRUCKANSCHLUSS M : < 100 Nm
- 4 = GOVERNOR PORT STEUERANSCHLUSS
- 81 = OIL SUPPLY DRUCKOELANSCHLUSS
- 82 = OIL DRAIN OELRUECKLAUF
- 91 = COOLANT CONNECTION KUEHLMITTELANSCHLUSS M : ≈ 35 Nm
- 92 = COOLANT CONNECTION KUEHLMITTELANSCHLUSS M : ≈ 35 Nm

CUSTOMER NO.: 906 130 62 15 AND "ZGS" NO.: 003 STAMPED
 KUNDEN-NR.: 906 130 62 15 UND "ZGS" NR.: 003 GESTEMPELT

TORQUE ANZUGSMOMENT 250 +40 Nm
 LEFT HAND / LINKS
 895 905 169 4 (WABCO)
 A 906 132 03 05 (DAIMLER)
 ALTERNATIVE USE OF GEAR :
 ALTERNATIVE VERWENDUNG VON ZAHNRAD :
 912 510 160 4 (WABCO)
 ALLOWED / ZULAESSIG.



CLEANLINESS OF PARTS AND DEVICES : JED-593 (SPECIFICATION T.B.D.)
 SAUBERKEIT VON GERAETEN UND TEILEN :
 (FINAL DEFINITION AFTER INVESTIGATION WITH SUPPLIER MANAGEMENT CUSTOMER AND WABCO)
 (ENTGUELTFIGE FESTLEGUNG NACH ERFOLGTEN UNTERSUCHUNGEN MIT DEM LIEFERANTENMANAGEMENT VOM KUNDEN UND WABCO)

General Specification: JED-334-0		Copyright WABCO		WABCO	
Further Technical Data: 412 352 025 0		Date: 2015-04-24	Drawn: P. S. J.	SINGLE CYLINDER COMPRESSOR	
Doc. Code: 035		Drawn: 1/15	To: 5/15	EINZYLINDER KOMPRESSOR	
General Tolerances: JED-201		Date: 2015-04-27	Drawn: J. J.	Material No.: 412 352 025 0	
Range of Nominal Dimensions (± mm)		Unit: mm		Date of 1st Issue: 2008-09-25	
Class: 11	± 0.10	Class: 12	± 0.15	Doc. Code: Language: Sheet	
Class: 13	± 0.20	Class: 14	± 0.30	005 DE 1/1	
Class: 15	± 0.40	Class: 16	± 0.60	412 352 025 0	
Class: 17	± 0.80	Class: 18	± 1.20	167822 2 x 0 5000	
Class: 19	± 1.60	Class: 20	± 2.50	A O Pro/E	
Class: 21	± 3.15	Class: 22	± 5.00	167822 2 x 0 5000	
Class: 23	± 6.30	Class: 24	± 10.00	412 352 025 0	
Class: 25	± 12.50	Class: 26	± 20.00	167822 2 x 0 5000	
Class: 27	± 31.50	Class: 28	± 50.00	412 352 025 0	
Class: 29	± 75.00	Class: 30	± 125.00	167822 2 x 0 5000	
Class: 31	± 150.00	Class: 32	± 300.00	412 352 025 0	
Class: 33	± 300.00	Class: 34	± 600.00	167822 2 x 0 5000	
Class: 35	± 1200.00	Class: 36	± 2500.00	412 352 025 0	
Class: 37	± 5000.00	Class: 38	± 10000.00	167822 2 x 0 5000	
Class: 39	± 25000.00	Class: 40	± 50000.00	412 352 025 0	
Class: 41	± 100000.00	Class: 42	± 250000.00	167822 2 x 0 5000	
Class: 43	± 500000.00	Class: 44	± 1000000.00	412 352 025 0	
Class: 45	± 2500000.00	Class: 46	± 5000000.00	167822 2 x 0 5000	
Class: 47	± 10000000.00	Class: 48	± 25000000.00	412 352 025 0	
Class: 49	± 50000000.00	Class: 50	± 100000000.00	167822 2 x 0 5000	
Class: 51	± 500000000.00	Class: 52	± 1000000000.00	412 352 025 0	
Class: 53	± 5000000000.00	Class: 54	± 10000000000.00	167822 2 x 0 5000	
Class: 55	± 50000000000.00	Class: 56	± 100000000000.00	412 352 025 0	
Class: 57	± 500000000000.00	Class: 58	± 1000000000000.00	167822 2 x 0 5000	
Class: 59	± 5000000000000.00	Class: 60	± 10000000000000.00	412 352 025 0	
Class: 61	± 50000000000000.00	Class: 62	± 100000000000000.00	167822 2 x 0 5000	
Class: 63	± 500000000000000.00	Class: 64	± 1000000000000000.00	412 352 025 0	
Class: 65	± 5000000000000000.00	Class: 66	± 10000000000000000.00	167822 2 x 0 5000	
Class: 67	± 50000000000000000.00	Class: 68	± 100000000000000000.00	412 352 025 0	
Class: 69	± 500000000000000000.00	Class: 70	± 1000000000000000000.00	167822 2 x 0 5000	
Class: 71	± 5000000000000000000.00	Class: 72	± 10000000000000000000.00	412 352 025 0	
Class: 73	± 50000000000000000000.00	Class: 74	± 100000000000000000000.00	167822 2 x 0 5000	
Class: 75	± 500000000000000000000.00	Class: 76	± 1000000000000000000000.00	412 352 025 0	
Class: 77	± 5000000000000000000000.00	Class: 78	± 10000000000000000000000.00	167822 2 x 0 5000	
Class: 79	± 50000000000000000000000.00	Class: 80	± 100000000000000000000000.00	412 352 025 0	
Class: 81	± 500000000000000000000000.00	Class: 82	± 1000000000000000000000000.00	167822 2 x 0 5000	
Class: 83	± 5000000000000000000000000.00	Class: 84	± 10000000000000000000000000.00	412 352 025 0	
Class: 85	± 50000000000000000000000000.00	Class: 86	± 100000000000000000000000000.00	167822 2 x 0 5000	
Class: 87	± 500000000000000000000000000.00	Class: 88	± 1000000000000000000000000000.00	412 352 025 0	
Class: 89	± 5000000000000000000000000000.00	Class: 90	± 10000000000000000000000000000.00	167822 2 x 0 5000	
Class: 91	± 50000000000000000000000000000.00	Class: 92	± 100000000000000000000000000000.00	412 352 025 0	
Class: 93	± 500000000000000000000000000000.00	Class: 94	± 1000000000000000000000000000000.00	167822 2 x 0 5000	
Class: 95	± 5000000000000000000000000000000.00	Class: 96	± 10000000000000000000000000000000.00	412 352 025 0	
Class: 97	± 50000000000000000000000000000000.00	Class: 98	± 100000000000000000000000000000000.00	167822 2 x 0 5000	
Class: 99	± 500000000000000000000000000000000.00	Class: 100	± 1000000000000000000000000000000000.00	412 352 025 0	