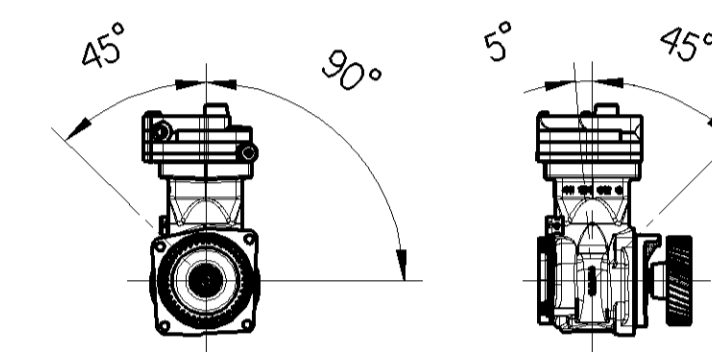
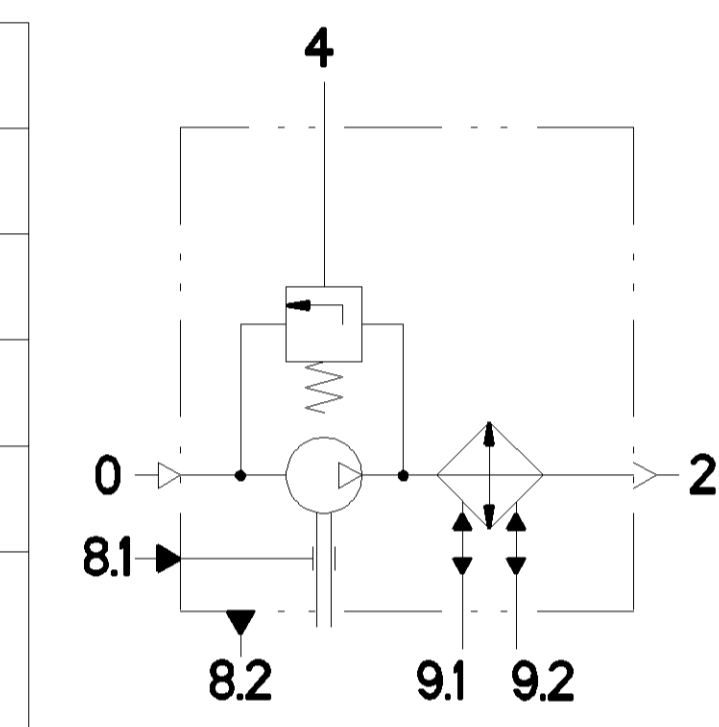


WORKING MEDIUM	AIR
COOLANT	WATER WITH ANTIFREEZE
BORE	Ø 85 mm
STROKE	62 mm
SWEPT VOLUME	352 cm <sup>3</sup>
MAX. WORKING SPEED	$n_{max} = 3000 \text{ min}^{-1}$
OVERSPEED (MAX. 4 SEC.)	$n_{ue} = 1.3 \times n_{max}$
MAX. WORKING PRESSURE	12.5 bar
TOP PRESSURE (MAX. 4 SEC)	16 bar (2)
END PLAY OF CRANKSHAFT	0.05 ... 0.35 mm
LUBRICATION SUPPLIED FROM ENGINE	
PORTS PROTECTED	
FREE FROM ASBESTOS	
CRANKCASE: SURFACE PROTECTION JED-069M1 (OPTIONAL)	

(2) MEASURE AT DISCHARGE PORT  
MAX. PERMISSIBLE TILT DURING CONTINUOUS WORKING

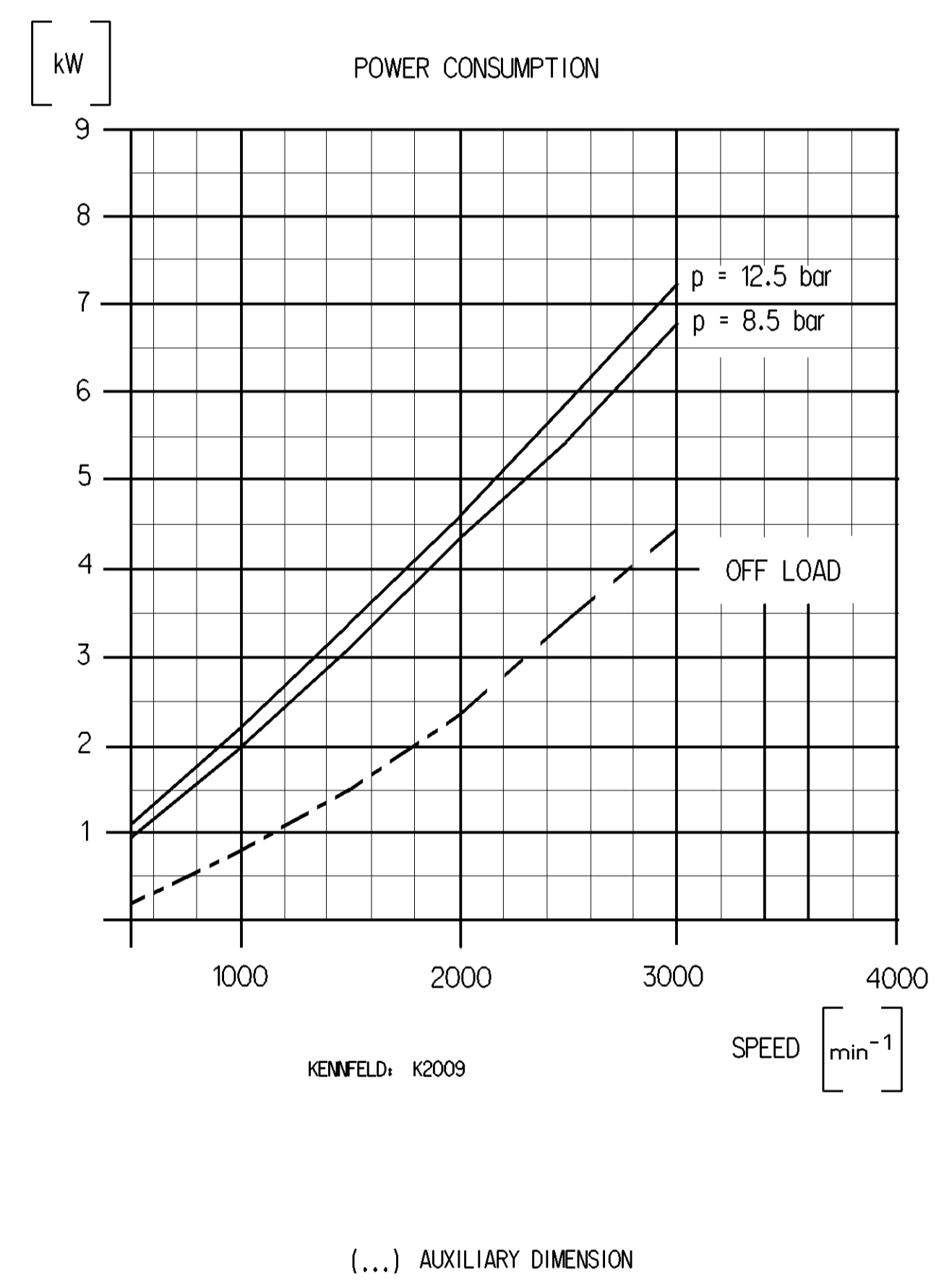
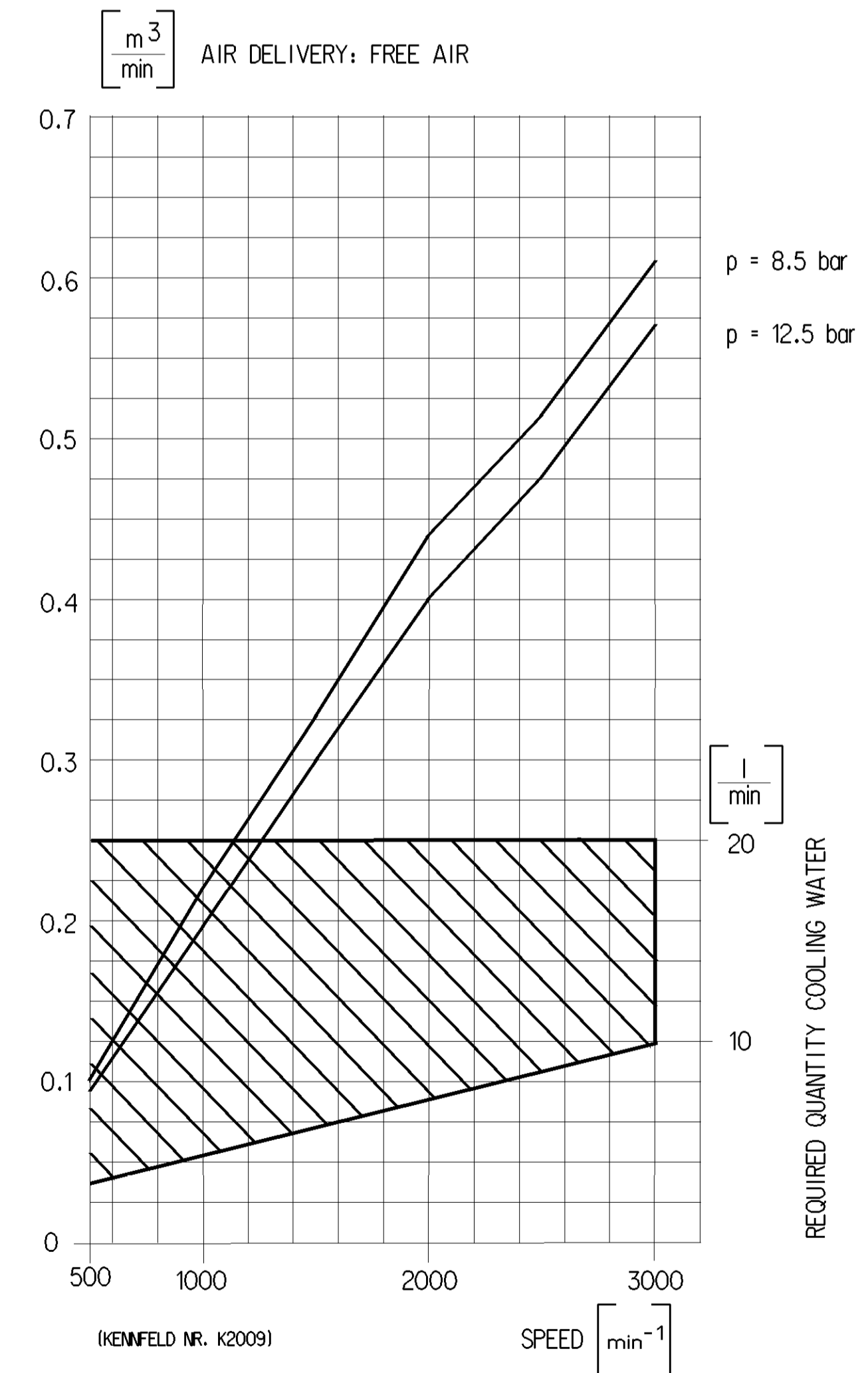
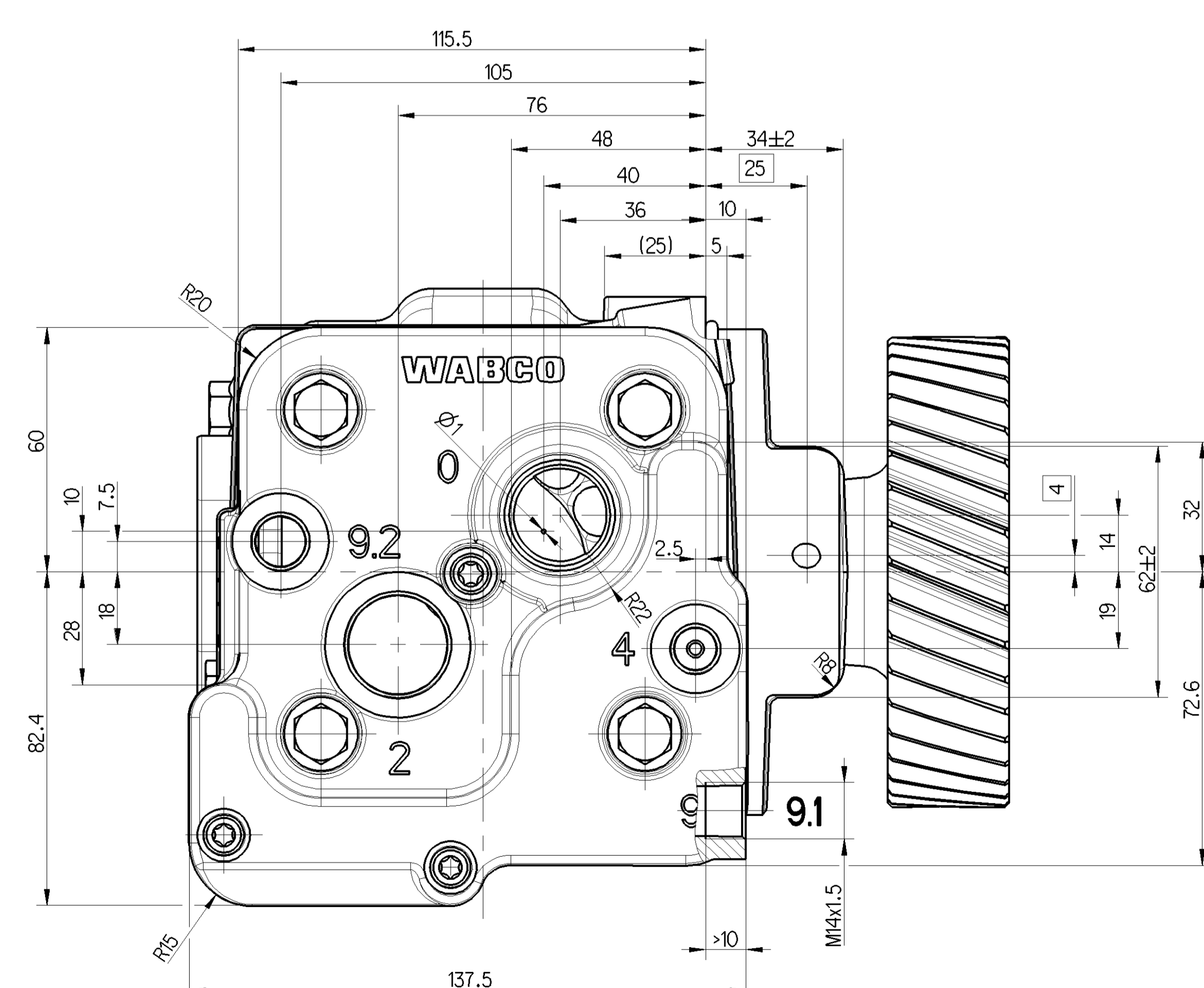
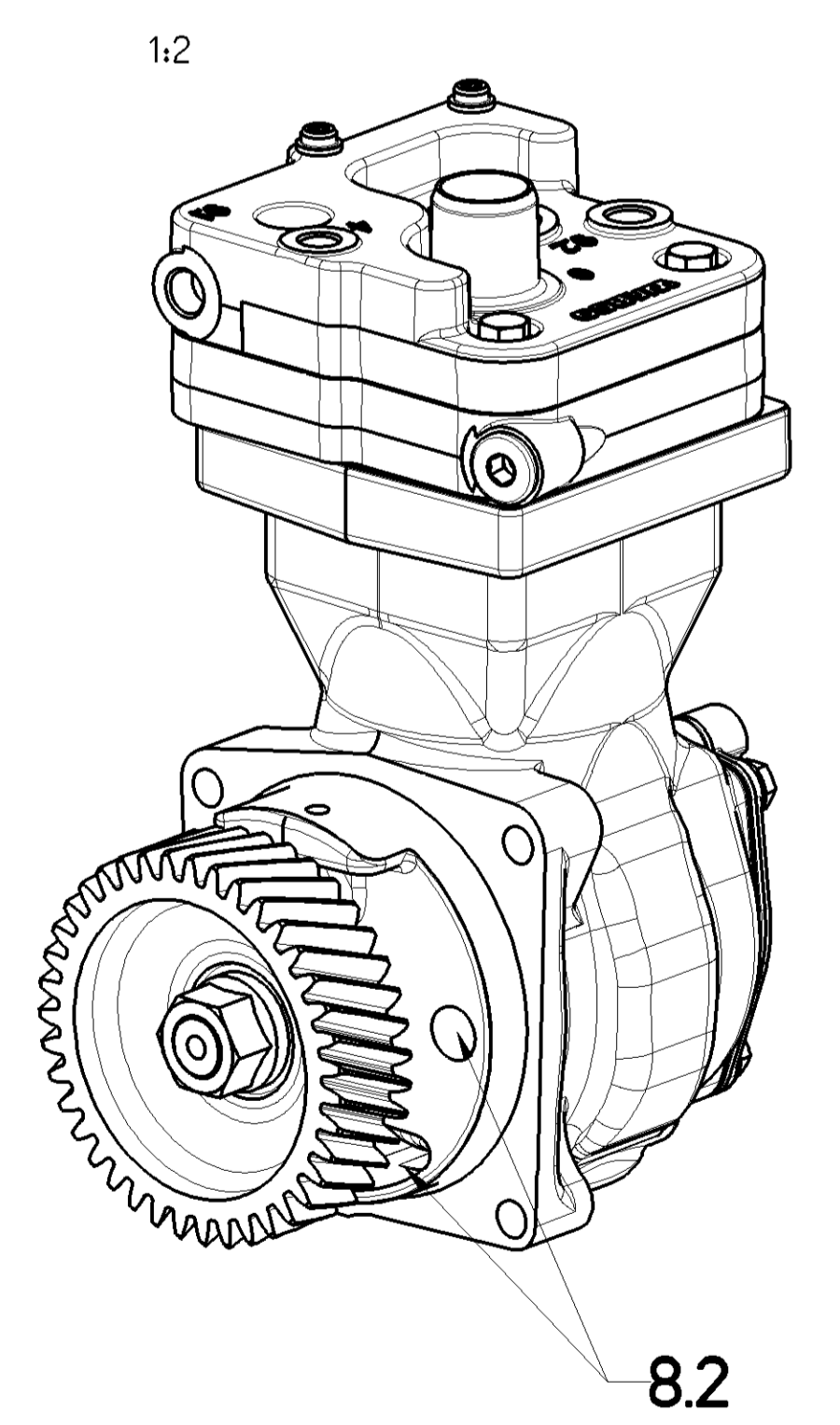


0	SUCTION PORT	M ≤ 100 Nm
2	DISCHARGE PORT	M ≤ 100 Nm
4	GOVERNOR PORT	
8.1	OIL SUPPLY	
8.2	OIL DRAIN	
9.1	COOLANT CONNECTION	M ≤ 35 Nm
9.2	COOLANT CONNECTION	M ≤ 35 Nm



9.1 → 9.2 DIRECTIONS OF FLOW

Y  
21  
O-RING ( Ø118 ± 1 x Ø3 ± 0.1 )  
897 772 857 4 ( WABCO/LED-313 = (ACM)/SHORE A 70±5 )  
( DAIMLER / DEL 6038.20 = ELASTOMER/SHORE A 70±5 )



① CUSTOMER'S LABEL

General Specifications: JED-354-0		Copyright WABCO®		<b>WABCO</b>	
Further Technical Data: 412 352 025 0		Title: System		ONE CYLINDER COMPRESSOR	
Doc. Code: 035		Sheet: 5/5 TO 5/5		Date: 2016-12-01	
General Tolerances: JED-761		Drawing: Trokajo		Langage: EN	
Range of Nominal Dimensions L ( ± mm )		Last: Skobodon		Revision: 1/1	
Class	to ± 50	± 50	± 180	± 400	± 400
Frame	X 1.0	1.5	1.5	2.0	2.0
Coarse	X 2.0	3.5	5.0	6.5	±3*
Tapped Holes acc. JED-102		13.335		1:1	
Tapped Holes acc. JED-102		A 0		412 352 025 A	
Tapped Holes acc. JED-102		A 0		006 EN 1/1	
Tapped Holes acc. JED-102		A 0		2009	