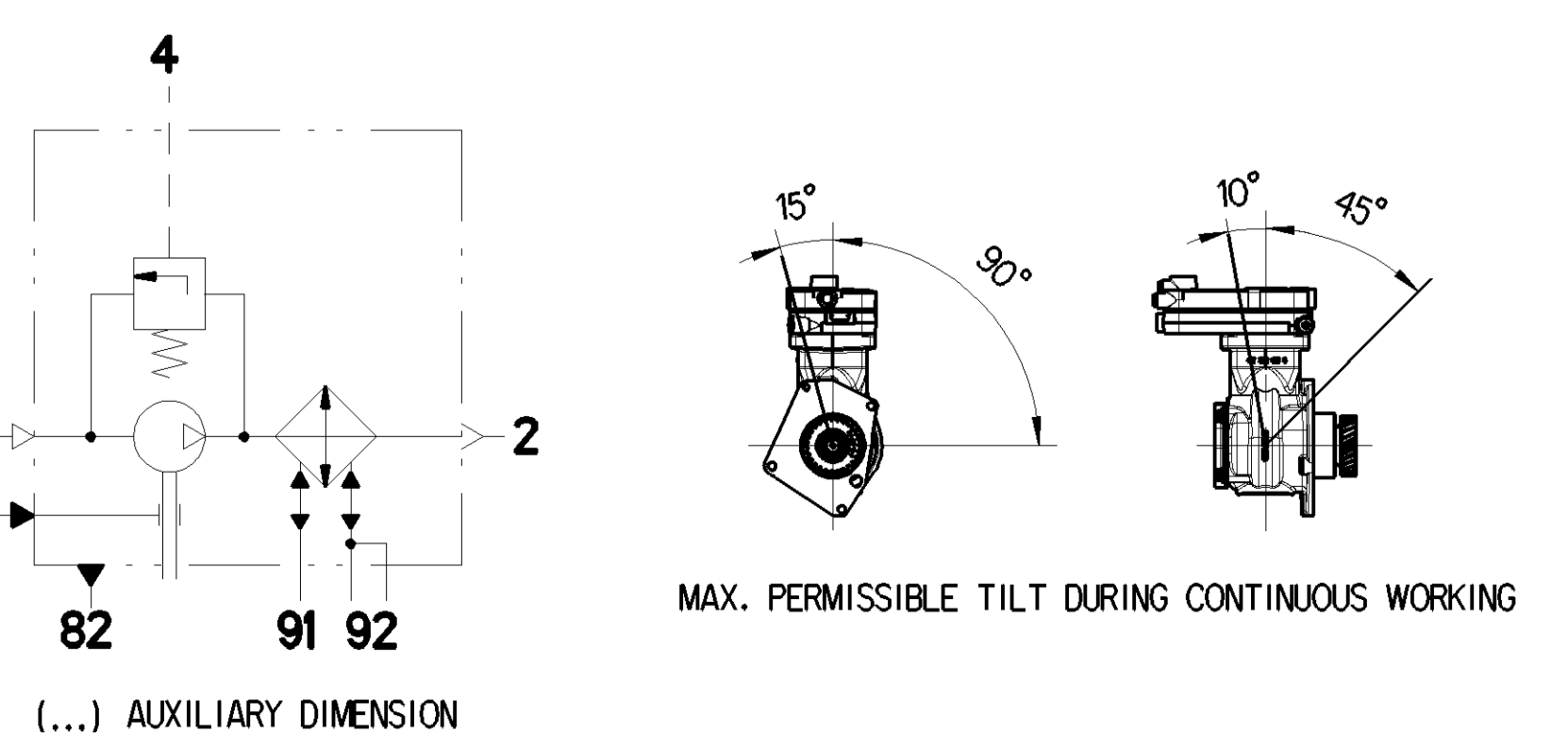


WORKING MEDIUM	AIR
COOLANT	WATER WITH ANTIFREEZE
BORE	∅ 85 mm
STROKE	62 mm
SWEPT VOLUME	352 cm ³
MAX. WORKING SPEED	$n_{max} = 3000 \text{ min}^{-1}$
OVERSPEED (MAX. 4 SEC.)	$n_{ub} = 1.3 \times n_{max}$
MAX. WORKING PRESSURE	$p_e = 12.5 \text{ bar}$
MAX. PRESSURE AT PRESSERPORT	$p_e = 16 \text{ bar}$
PORTS PROTECTED	
LUBRICATION SUPPLIED FROM ENGINE	
SURFACE PROTECTION JED-762	
FLANGE GASKET	

0	SUCTION PORT	M ≤ 120 Nm
2.1	DISCHARGE PORT	M ≤ 100 Nm
2.2	DISCHARGE PORT	M ≤ 100 Nm
4	GOVERNOR PORT	M ≤ 25 Nm
8.1	OIL SUPPLY	
8.2	OIL DRAIN	
9.1	COOLANT CONNECTION	M ≤ 35 Nm
9.2	COOLANT CONNECTION	M ≤ 35 Nm
(9)	VENTING PORT	M ≤ 25 Nm



** ALSO VALID FOR PRI: 003.

LABELING INFORMATION TABLE (SEE ALSO DOC.922)			
PRODUCTION SITE	LABEL	LABEL ID NUMBER	LABEL LAYOUT
PRI 048 **	①	899 050 145 4	
PRI 008	①	899 052 580 4	
PRI 048	②	899 202 425 4 (NOT APPLICABLE FOR IAM)	

③ TORQUE: M ≤ 55Nm
 ④ TORQUE: M, 250 +40/0 Nm
 DIN 74361-B20-LH
 ⑤ DIN 908 - M12x1.5 - S1
 DIN 7603 - A 12x1.5 - A1
 ⑥ AREA FOR ADHESIVE LABEL
 ⑦ VISUALLY CHECKED SEALING SURFACE ACCORDING TO THE ACCEPTANCE CRITERIA.

General Specifications: 42D-534-1, Size 150 144/02 LP	Design: WABCO	Model No.:	412 352 026 R	Date of 1st issue:	2006-09-23
Further Technical Data: 412 352 026 R	Drawn:	System:	COMPRESSOR	Doc. Code:	Language: 006 EN
Doc. Code: 026	Sheet: 1 of 5	Version:		Scale:	1/1
General Tolerances: 42D-701	Material:	Meyp		Revision:	
	Meyp	Meyp		Technical Dept.:	
	Meyp	Meyp		Replacement for:	
Class 1: 1, 50 ± 180 ± 400	Meyp	Meyp		Part No.:	
Class 2: 1, 0.5 ± 1.0 ± 1.5 ± 2.0	Meyp	Meyp		Part No.:	
Class 3: 1, 1.0 ± 2.0 ± 3.0 ± 4.0 ± 5.0 ± 6.5	Meyp	Meyp		Part No.:	
Class 4: 1, 2.0 ± 3.5 ± 5.0 ± 6.5	Meyp	Meyp		Part No.:	
Class 5: 1, 2.0 ± 3.5 ± 5.0 ± 6.5	Meyp	Meyp		Part No.:	
Class 6: 1, 2.0 ± 3.5 ± 5.0 ± 6.5	Meyp	Meyp		Part No.:	
Class 7: 1, 2.0 ± 3.5 ± 5.0 ± 6.5	Meyp	Meyp		Part No.:	
Class 8: 1, 2.0 ± 3.5 ± 5.0 ± 6.5	Meyp	Meyp		Part No.:	
Class 9: 1, 2.0 ± 3.5 ± 5.0 ± 6.5	Meyp	Meyp		Part No.:	
Class 10: 1, 2.0 ± 3.5 ± 5.0 ± 6.5	Meyp	Meyp		Part No.:	
Class 11: 1, 2.0 ± 3.5 ± 5.0 ± 6.5	Meyp	Meyp		Part No.:	
Class 12: 1, 2.0 ± 3.5 ± 5.0 ± 6.5	Meyp	Meyp		Part No.:	
Class 13: 1, 2.0 ± 3.5 ± 5.0 ± 6.5	Meyp	Meyp		Part No.:	
Class 14: 1, 2.0 ± 3.5 ± 5.0 ± 6.5	Meyp	Meyp		Part No.:	
Class 15: 1, 2.0 ± 3.5 ± 5.0 ± 6.5	Meyp	Meyp		Part No.:	
Class 16: 1, 2.0 ± 3.5 ± 5.0 ± 6.5	Meyp	Meyp		Part No.:	
Class 17: 1, 2.0 ± 3.5 ± 5.0 ± 6.5	Meyp	Meyp		Part No.:	
Class 18: 1, 2.0 ± 3.5 ± 5.0 ± 6.5	Meyp	Meyp		Part No.:	
Class 19: 1, 2.0 ± 3.5 ± 5.0 ± 6.5	Meyp	Meyp		Part No.:	
Class 20: 1, 2.0 ± 3.5 ± 5.0 ± 6.5	Meyp	Meyp		Part No.:	
Class 21: 1, 2.0 ± 3.5 ± 5.0 ± 6.5	Meyp	Meyp		Part No.:	
Class 22: 1, 2.0 ± 3.5 ± 5.0 ± 6.5	Meyp	Meyp		Part No.:	
Class 23: 1, 2.0 ± 3.5 ± 5.0 ± 6.5	Meyp	Meyp		Part No.:	
Class 24: 1, 2.0 ± 3.5 ± 5.0 ± 6.5	Meyp	Meyp		Part No.:	