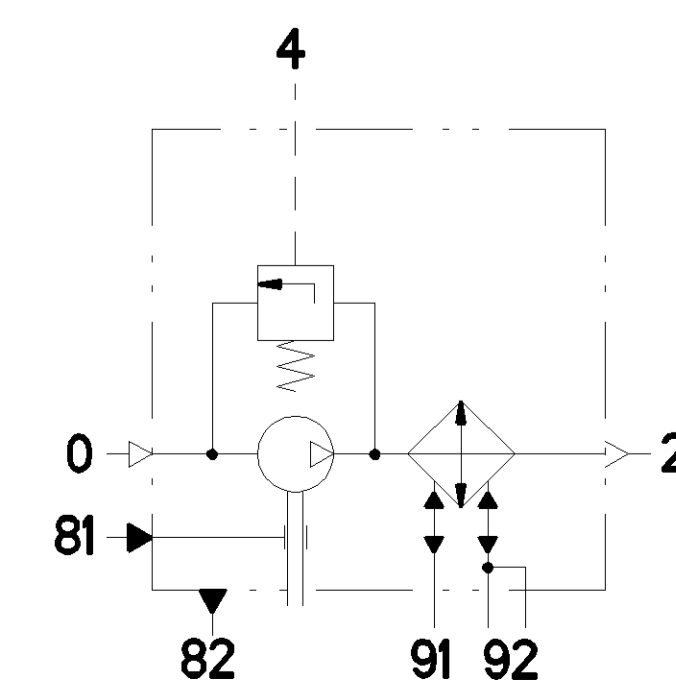
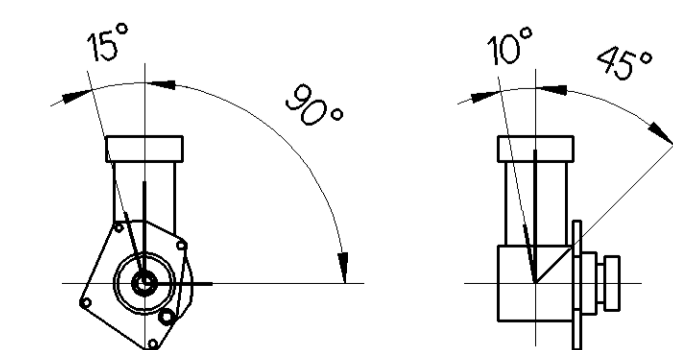


WORKING MEDIUM	AIR
COOLANT	WATER WITH ANTIFREEZE
BORE	Ø 85 mm
STROKE	62 mm
SWEPT VOLUME	352 cm ³
MAX. WORKING SPEED	n _{max} = 3000 min ⁻¹
OVERSPEED (MAX. 4 SEC.)	n _{ue} = 1.3 x n _{max}
MAX. WORKING PRESSURE	12.5 bar
MAX. PRESSURE	16 bar ②
LUBRICATION SUPPLIED FROM ENGINE	
PORTS PROTECTED	
FLANGE GASKET	
CRANKCASE: SURFACE PROTECTION JED-069M (OPTIONAL)	

0	SUCTION PORT	M ≤ 80 Nm ③
2.1	DISCHARGE PORT	M ≤ 67 Nm ③
2.2	DISCHARGE PORT	M ≤ 67 Nm ③
4	GOVERNOR PORT	M ≤ 21 Nm ③
8.1	OIL SUPPLY	
8.2	OIL DRAIN	
9	VENTING PORT	M ≤ 21 Nm ③
9.1	COOLANT CONNECTION	M ≤ 34 Nm ③
9.2	COOLANT CONNECTION	M ≤ 34 Nm ③

9.1 → 9.2 DIRECTIONS OF FLOW

MAX. PERMISSIBLE TILT DURING CONTINUOUS WORKING:



① CUSTOMER'S LABEL

General Specifications: 412-352-1, Size ISO 14400 LP	Copyright WABCO®	WABCO	
Further Technical Data: 412 352 027 R	10V System	COMPRESSOR	
Doc. Code: 020	Sheet: 1 To 5		
General Tolerances: 412-352		2016-11-08 Trakajo	
Range of Nominal Dimensions (± mm)		2016-11-08 Skidmore	
Class	± 0.15	± 0.1	± 0.05
Size	0.5	1.0	1.5
Medium	1.0	2.0	3.0
Coarse	2.0	3.5	5.0
	5.0	6.5	
Class	1:50	1:80	1:100
Medium	1:100	1:150	1:200
Coarse	1:200	1:300	1:400
Scale	1:1	412 352 027 A	
Version	A 0	Revision	005
Year	2016	Year	EN
	1/1		1/1

1) Tolerances class Applied (unmodified)