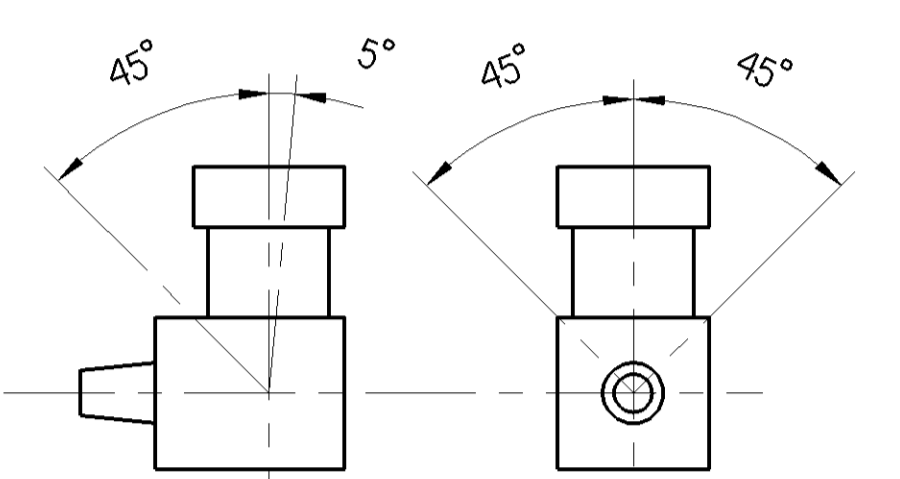
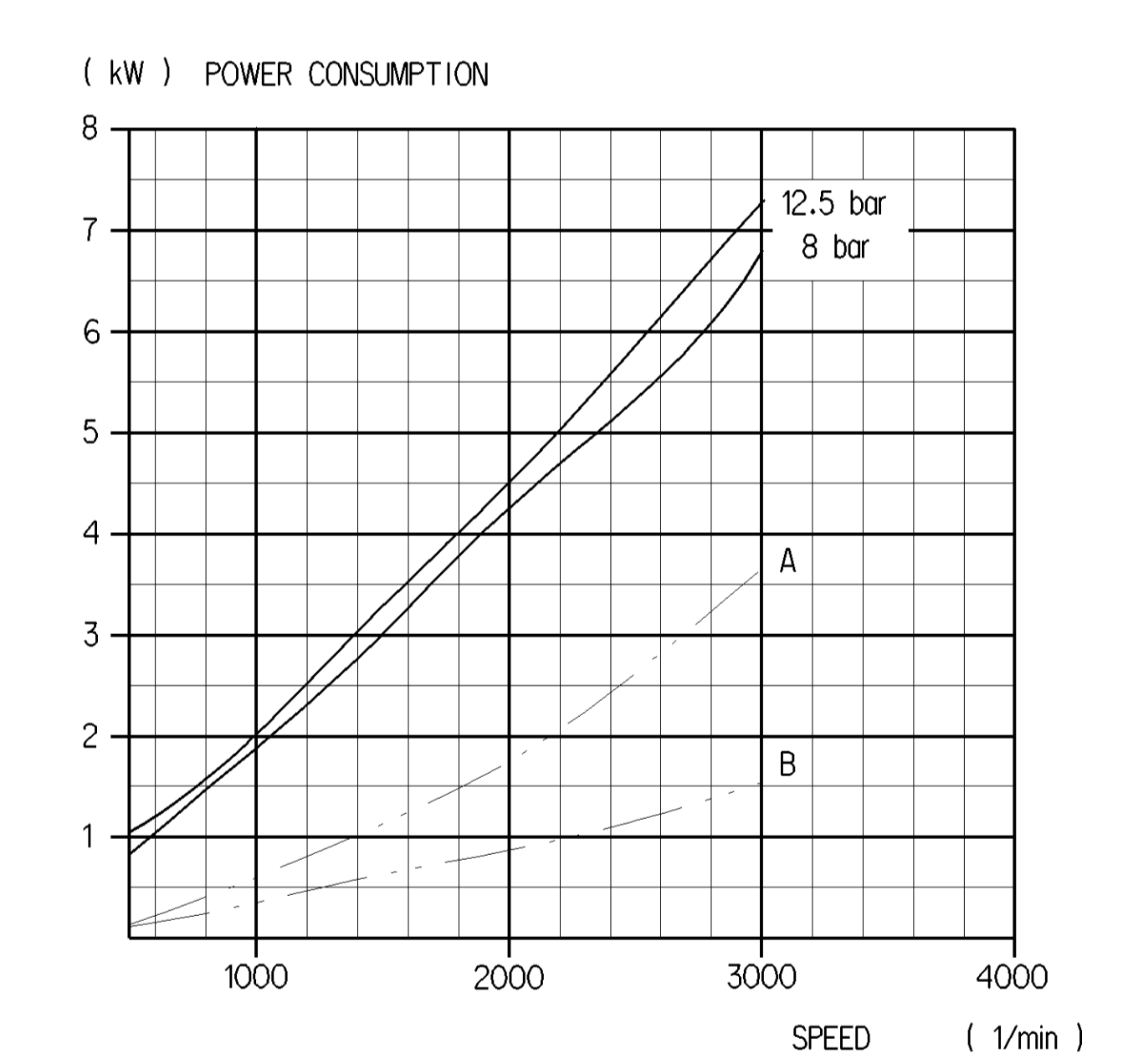
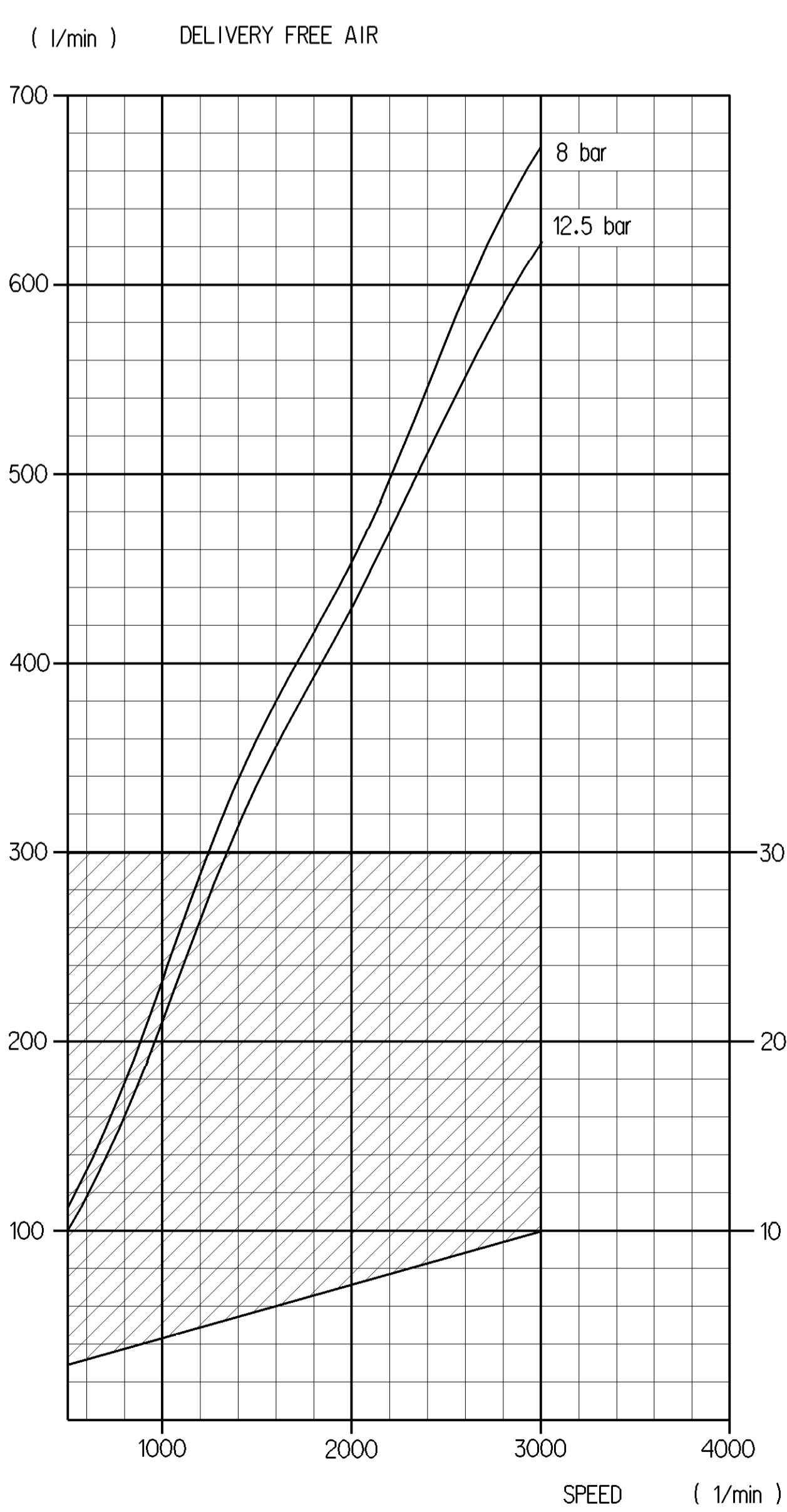
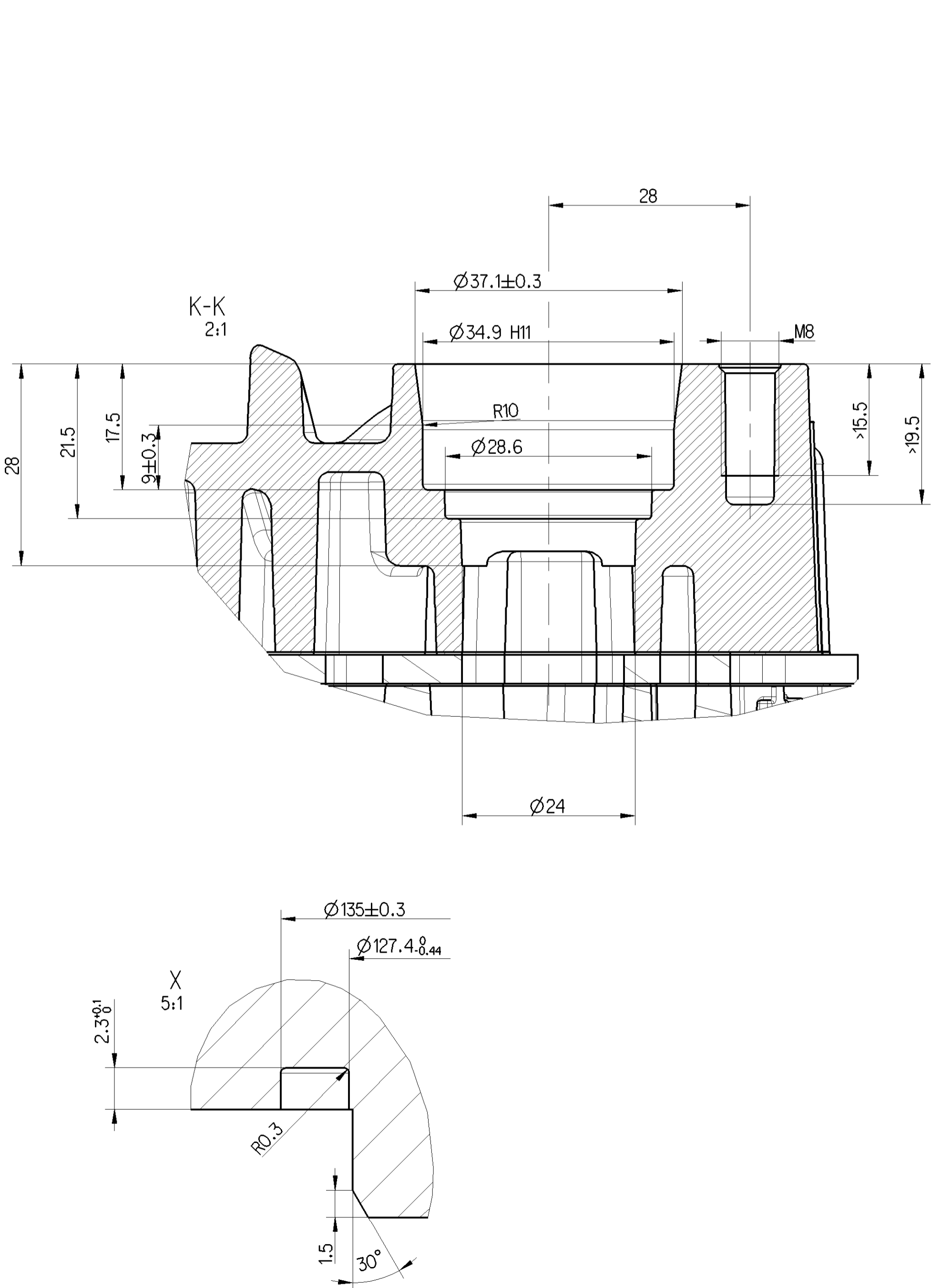
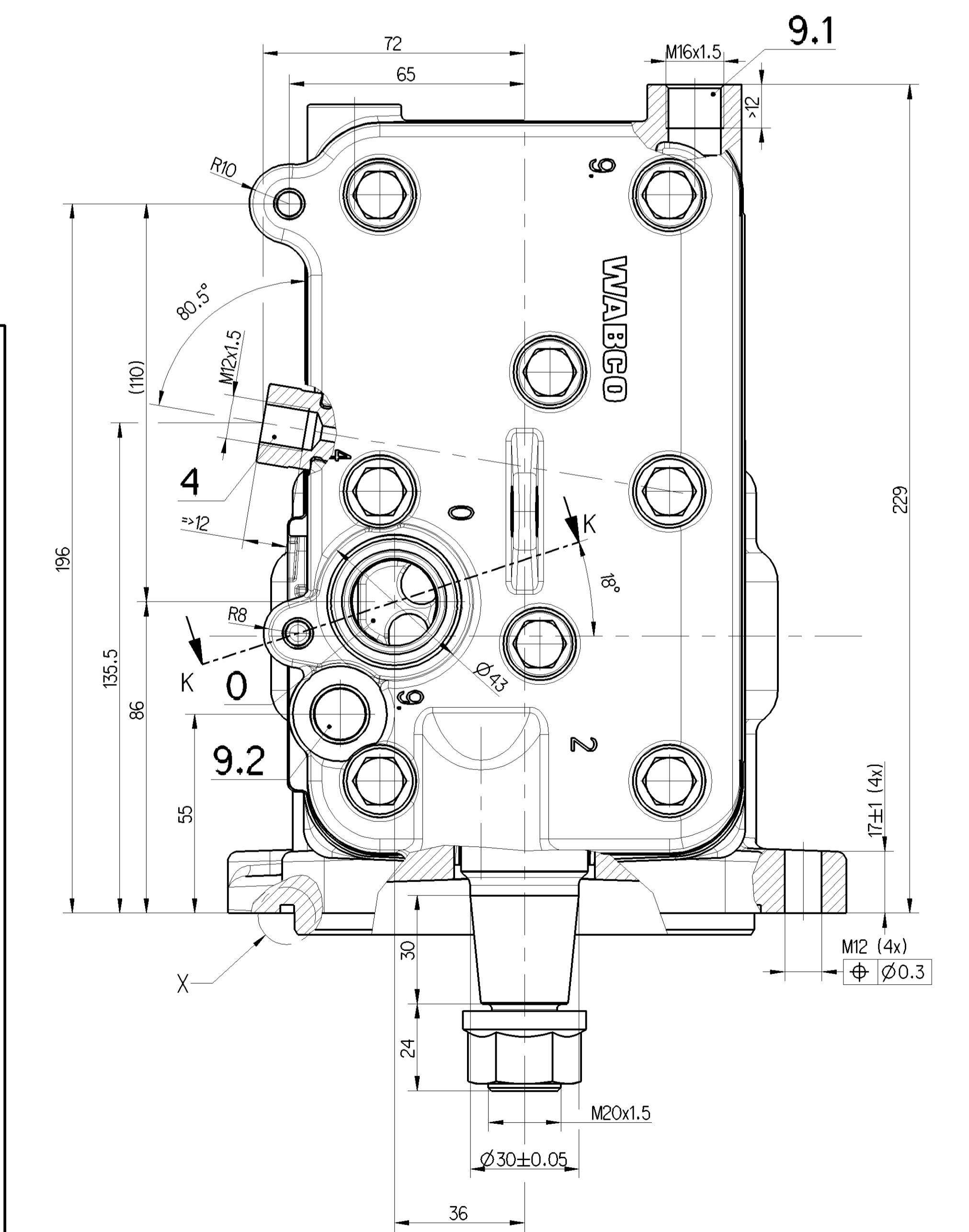
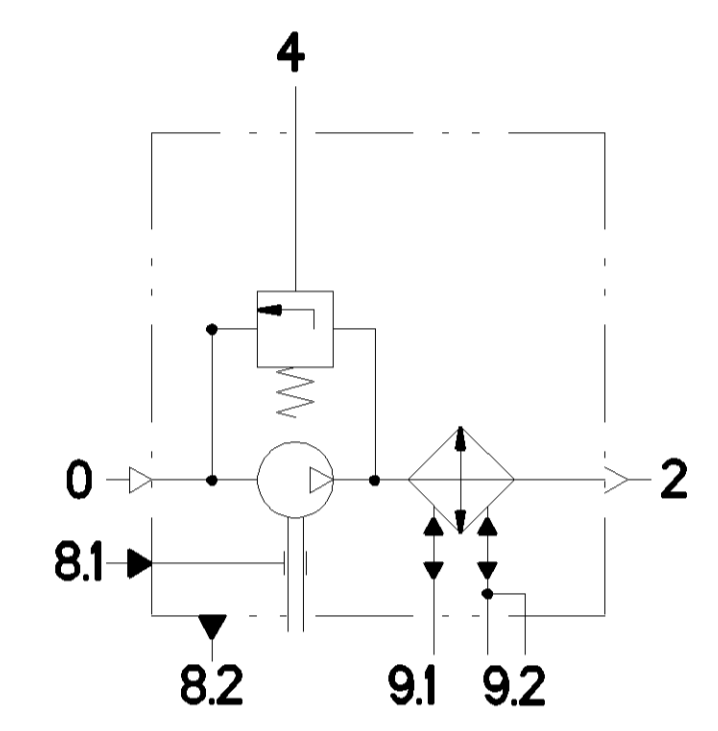


WORKING MEDIUM	AIR
COOLANT	WATER WITH ANTIFREEZE
BORE	\varnothing 85 mm
STROKE	62 mm
SWEPT VOLUME	352cm ³
MAX. WORKING SPEED	n _{max} = 3000 min ⁻¹
OVERSPEED (MAX. 4 SEC.)	n _{ue} = 1.3 x n _{max}
LUBRICATION SUPPLIED FROM ENGINE	
PAINTED BLACK ON NOT MACHINED CAST IRON SURFACES	
FREE FROM ASBESTOS	

MAX. PERMISSIBLE TILT DURING CONTINUOUS WORKING

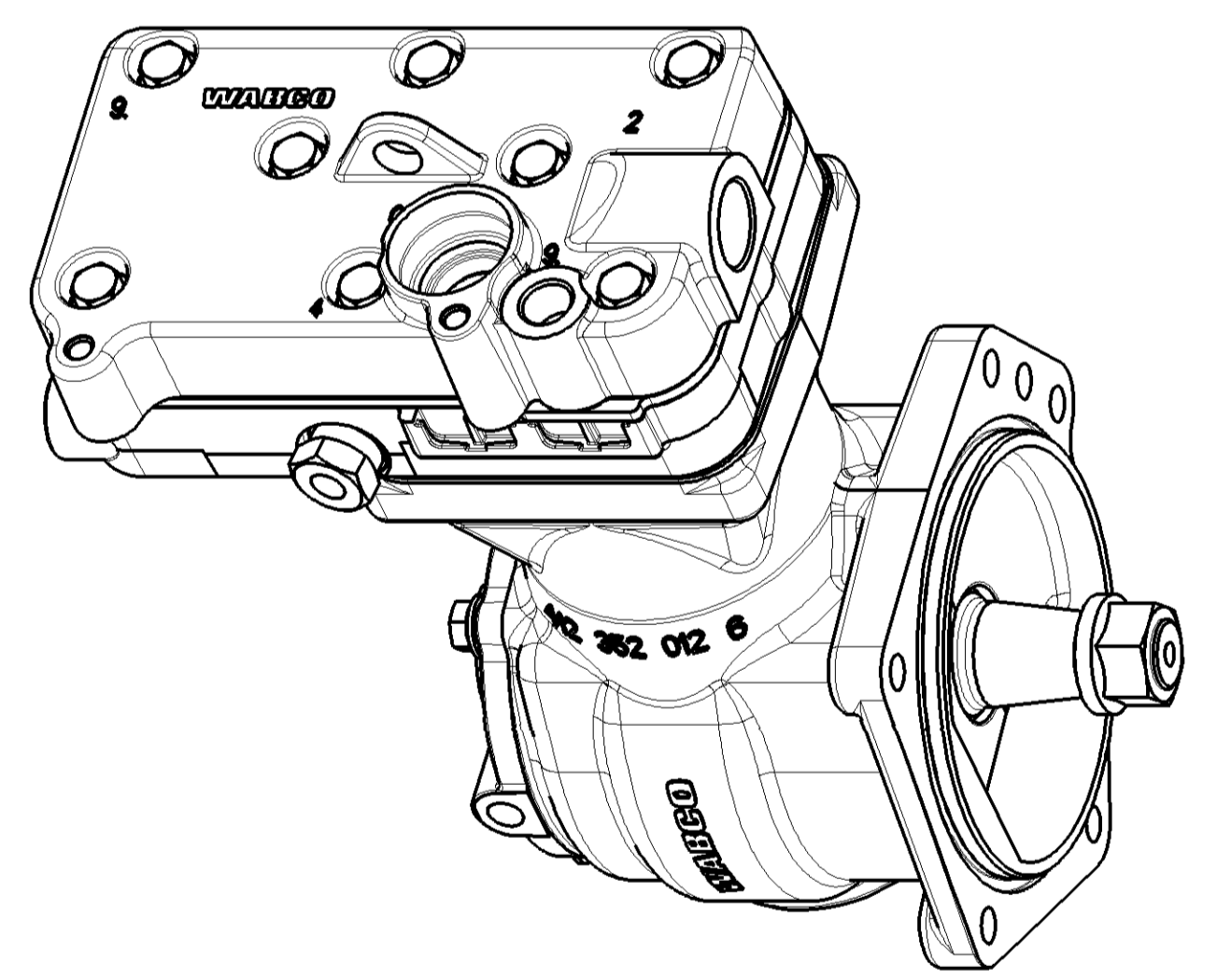


0	SUCTION PORT	
2	DISCHARGE PORT	M <= 67 Nm
4	GOVERNOR PORT	M <= 21 Nm
8.1	OIL SUPPLY	M <= 21 Nm
8.2	OIL DRAIN	
9.1	COOLANT CONNECTION	M <= 34 Nm
9.2	COOLANT CONNECTION	M <= 34 Nm



--- OFF LOAD
A) COMBINED UNLOADER
B) PR-SYSTEM

(Kennfeld-Nr. K0800_01)



① CUSTOMER'S LABEL
COMPRESSOR WITH OPTIMIZED PISTON

General Specifications: 412-352-1, Size ISO 14400 LP		Copyright WABCO®		WABCO	
Further Technical Data: 412 352 030 R		Title: System		SINGLE CYLINDER COMPRESSOR	
Doc. Code: 030	Sheet: 1 To 8	Year: 2016-11-30	Trojako	Doc. Code: Language: Steel	
General Tolerances: 412-261		Date: 2016-12-01		Slobodan	
Range of Nominal Dimensions (± mm)		Class		SLOBODAN	
Class	± 0.50 ± 0.10 ± 0.15 ± 0.20 ± 0.30	13.639		Date of 1st issue: 2016-12-01	
Medium	X 1.0 2.0 3.0 4.0 ± 0.3	1:1		Doc. Code: Language: Steel	
Coarse	X 2.0 3.5 5.0 6.5	A 0 CRO		005 EN 1/1	
Tapped holes acc. to: ISO 150		412 352 030 A		Revision: 1	
Tolerances class: 412-152		A 0 CRO		1/1	
Tapped holes acc. to: ISO 150		412 352 030 A		Revision: 1	
Tolerances class: 412-152		A 0 CRO		1/1	