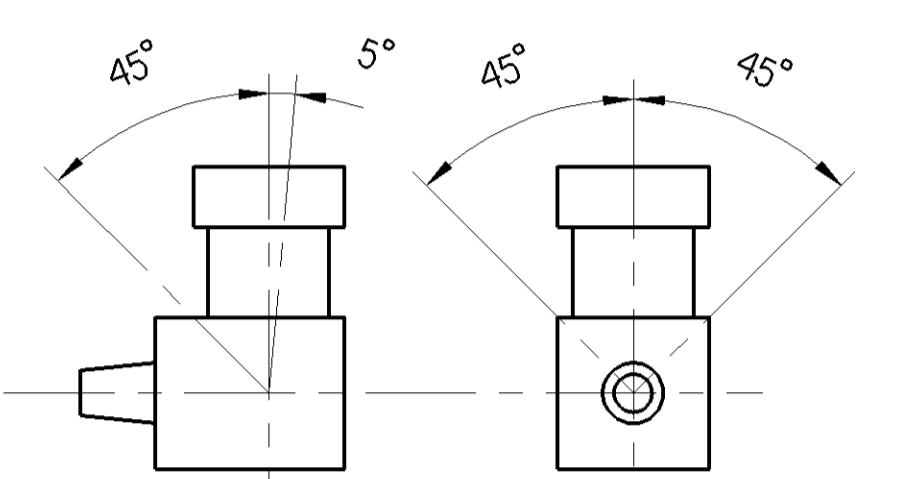
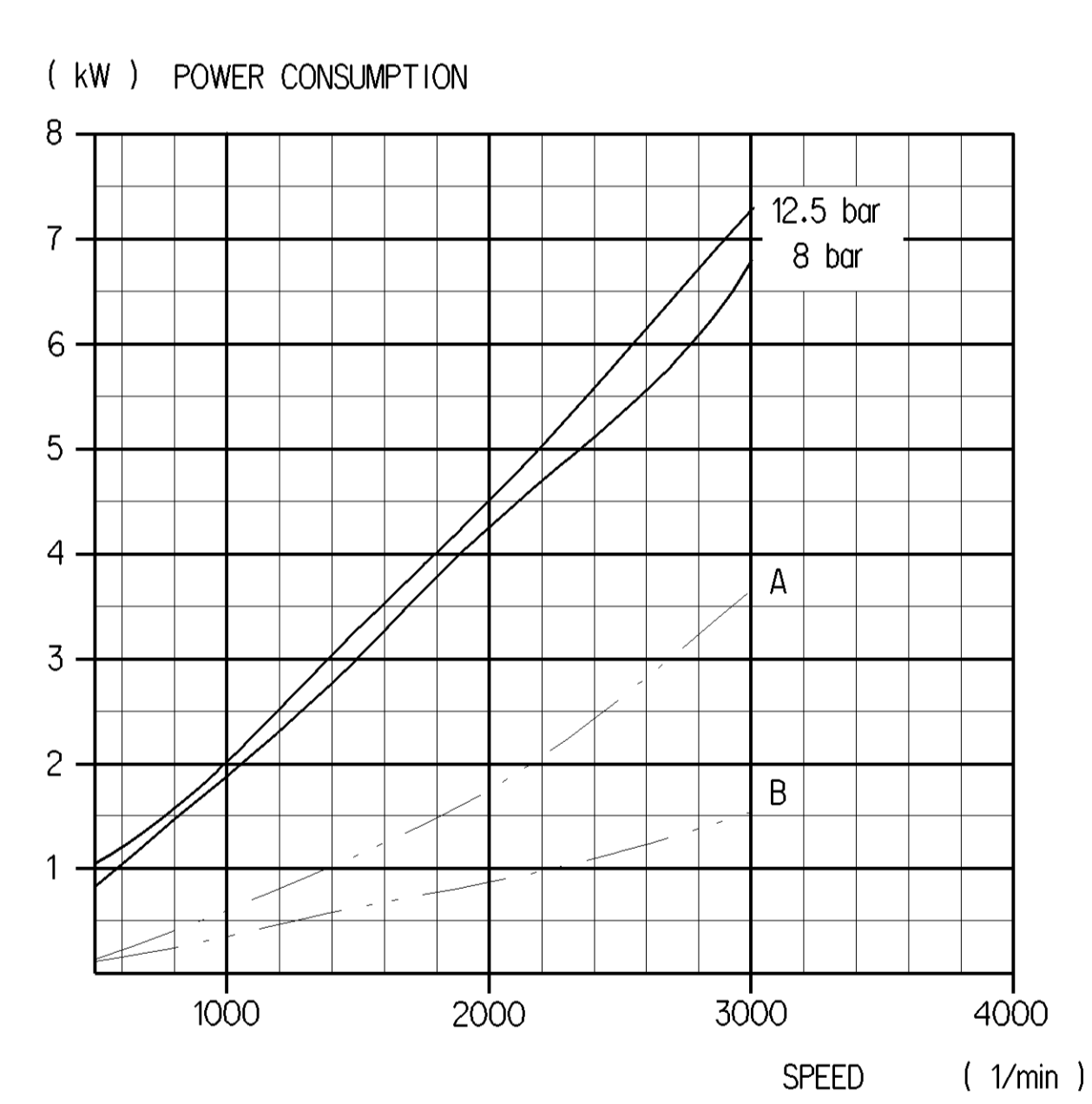
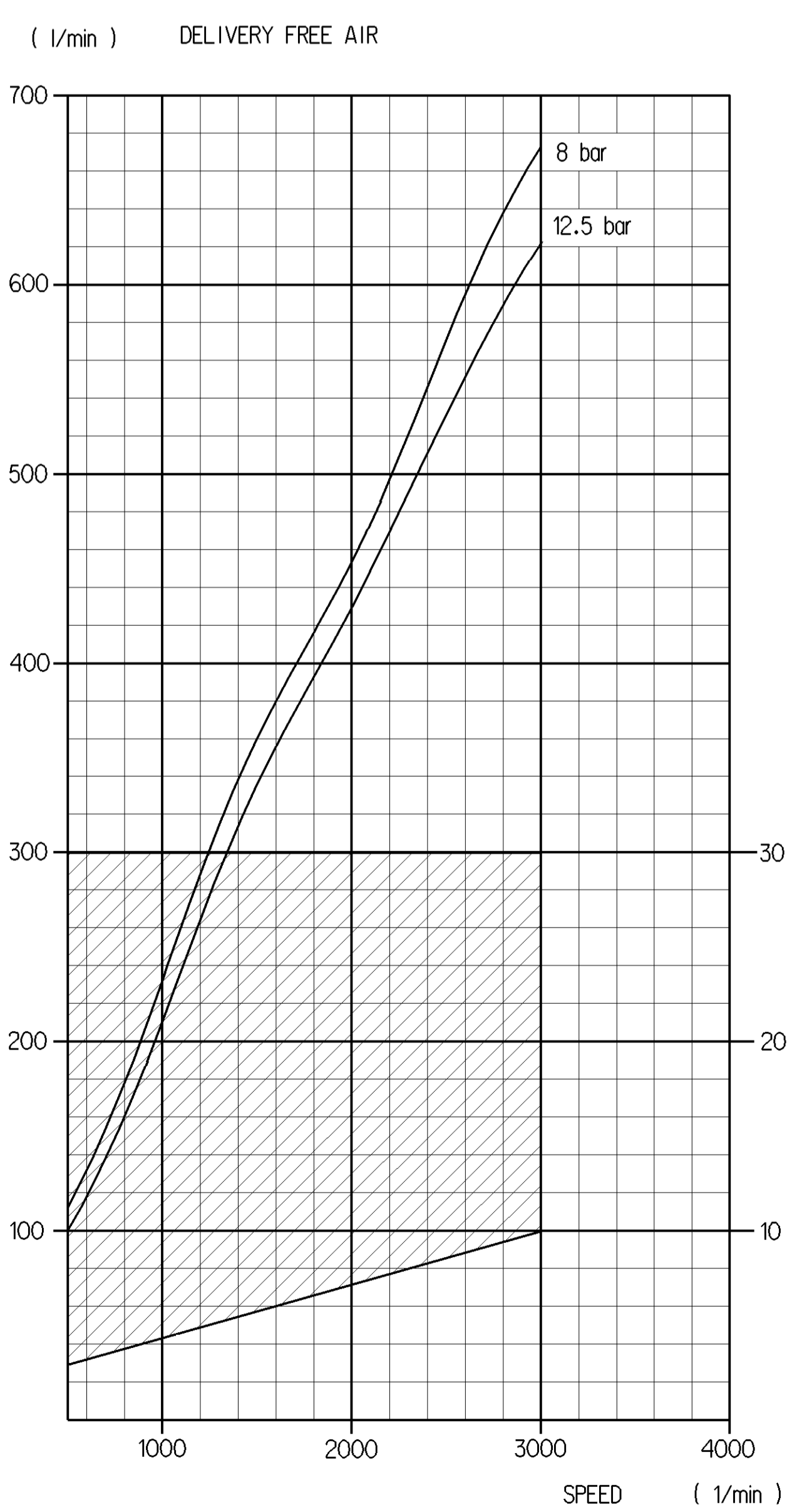
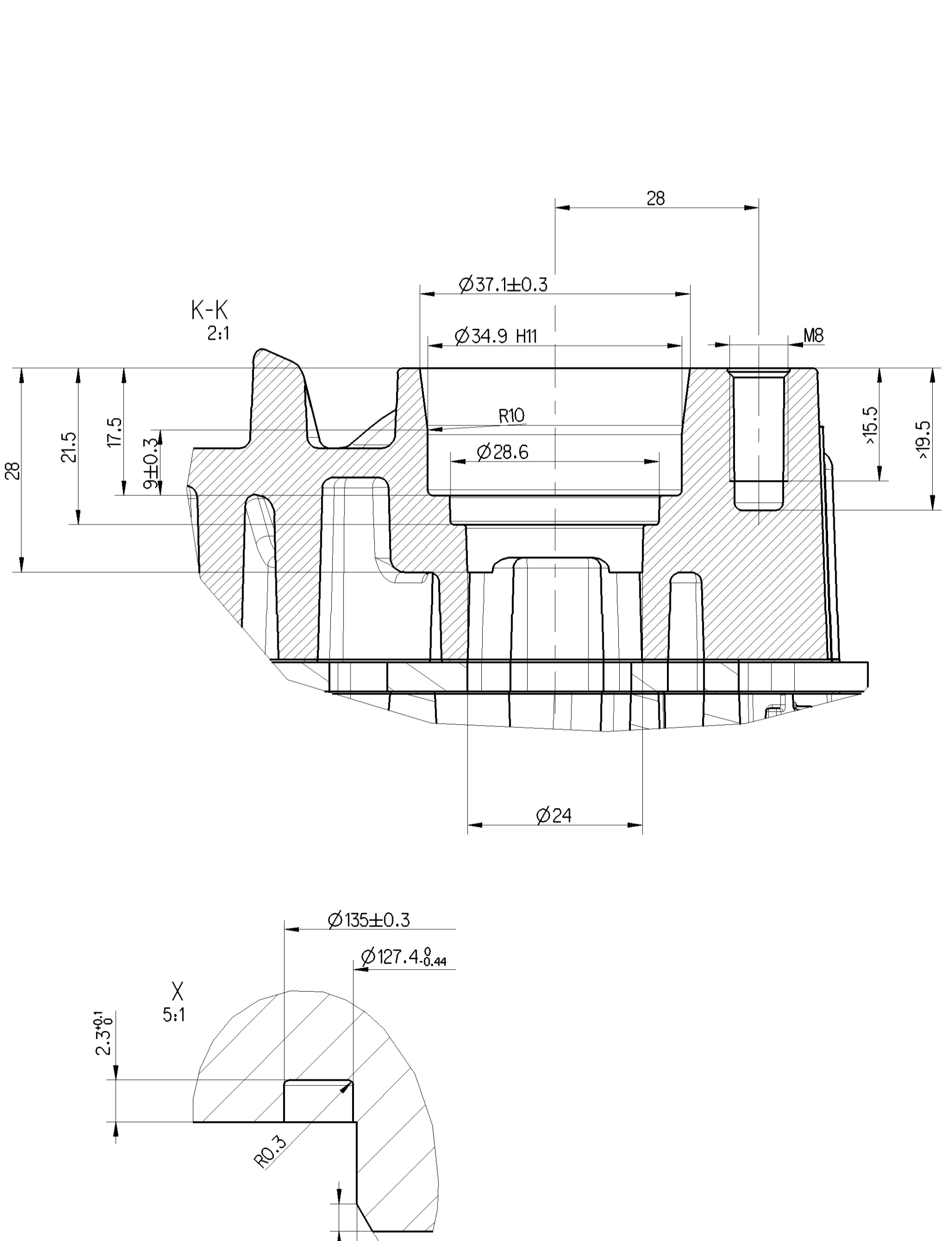
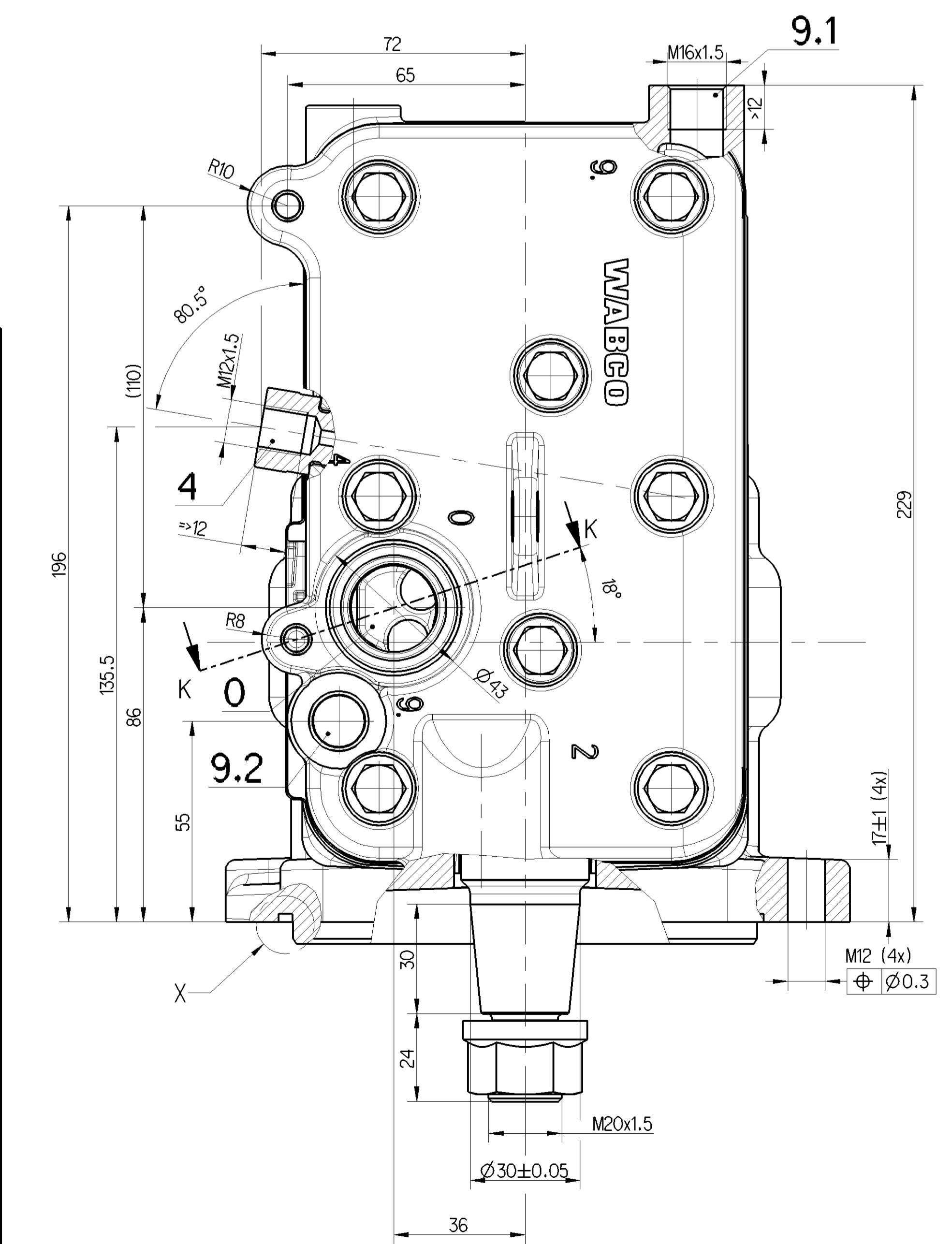
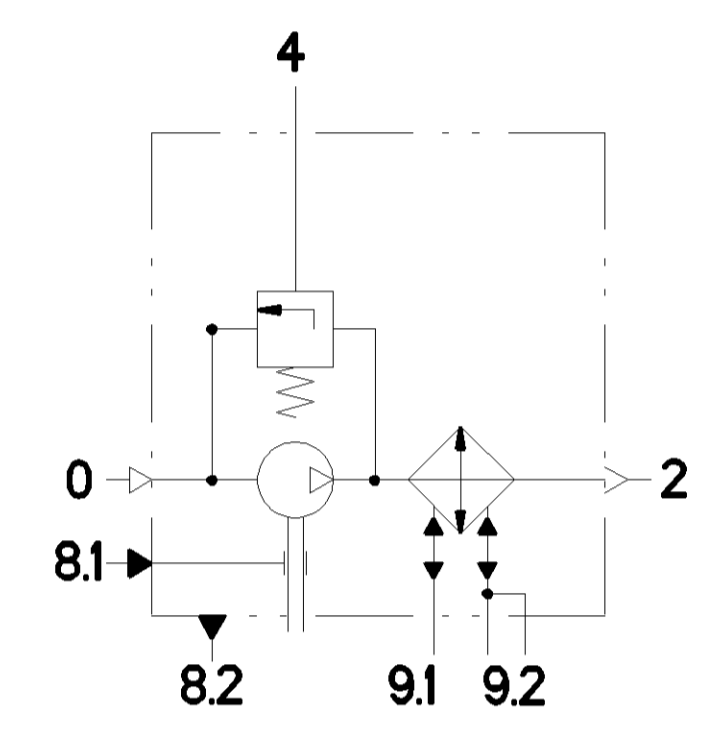


WORKING MEDIUM	AIR
COOLANT	WATER WITH ANTIFREEZE
BORE	Ø 85 mm
STROKE	62 mm
SWEPT VOLUME	352cm ³
MAX. WORKING SPEED	n _{max} = 3000 min ⁻¹
OVERSPEED (MAX. 4 SEC.)	n _{ue} = 1.3 x n _{max}
LUBRICATION SUPPLIED FROM ENGINE	
PAINTED BLACK ON NOT MACHINED CAST IRON SURFACES	
FREE FROM ASBESTOS	

MAX. PERMISSIBLE TILT DURING CONTINUOUS WORKING



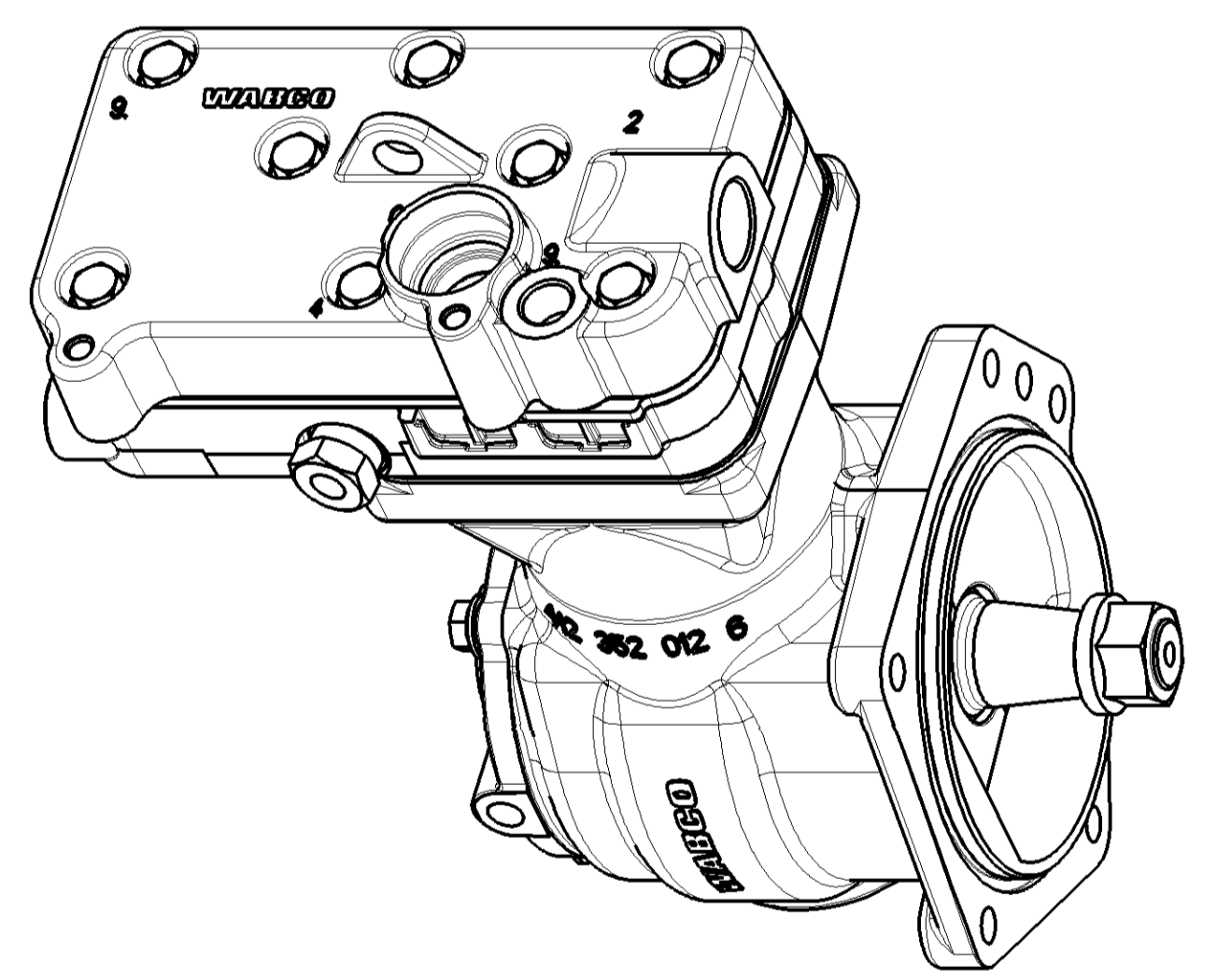
0	SUCTION PORT	
2	DISCHARGE PORT	M <= 67 Nm
4	GOVERNOR PORT	M <= 21 Nm
8.1	OIL SUPPLY	M <= 21 Nm
8.2	OIL DRAIN	
9.1	COOLANT CONNECTION	M <= 34 Nm
9.2	COOLANT CONNECTION	



(Kennfeld-Nr. K0800_01)

① ** ALSO VALID FOR PRI: 037, 003

LABELING INFORMATION TABLE (SEE ALSO DOC. 922)		
PRODUCTION SITE	LABEL	LABEL LAYOUT
	①	PRODUCTION DATE WABCO ID NUMBER
PRI 048 **	②	PARMA CODE: STANOWICE (POLAND)-45295 VOLVO NUMBER: 85013203



COMPRESSOR WITH OPTIMIZED PISTON

General Specifications: 412-352-1, Size ISO 14400 LP		Copyright WABCO®	
Further Technical Data: 412 704 008 R		Title: System	
Doc. Code: 030		Sheet: 1 To 7	
General Tolerances: 412-261		2017-02-20 Trojako	
		2017-02-20 Skobron	
Range of Nominal Dimensions (± mm)		SLOBOZIAN	
Class	± 0.50 ± 0.10 ± 0.05 ± 0.02	Medium file	
Fin	1.0 1.5 2.0 2.5 3.0 4.0 5.0 6.5	13.639 1:1	
Coarse	1.0 1.5 2.0 2.5 3.0 4.0 5.0 6.5	A 0 CRO	
Tapped holes acc. to: ISO 1502		412 352 030 R	
Tapped holes class: 9H/9g		173173 1x D 2009	
		006 EN 1/1	