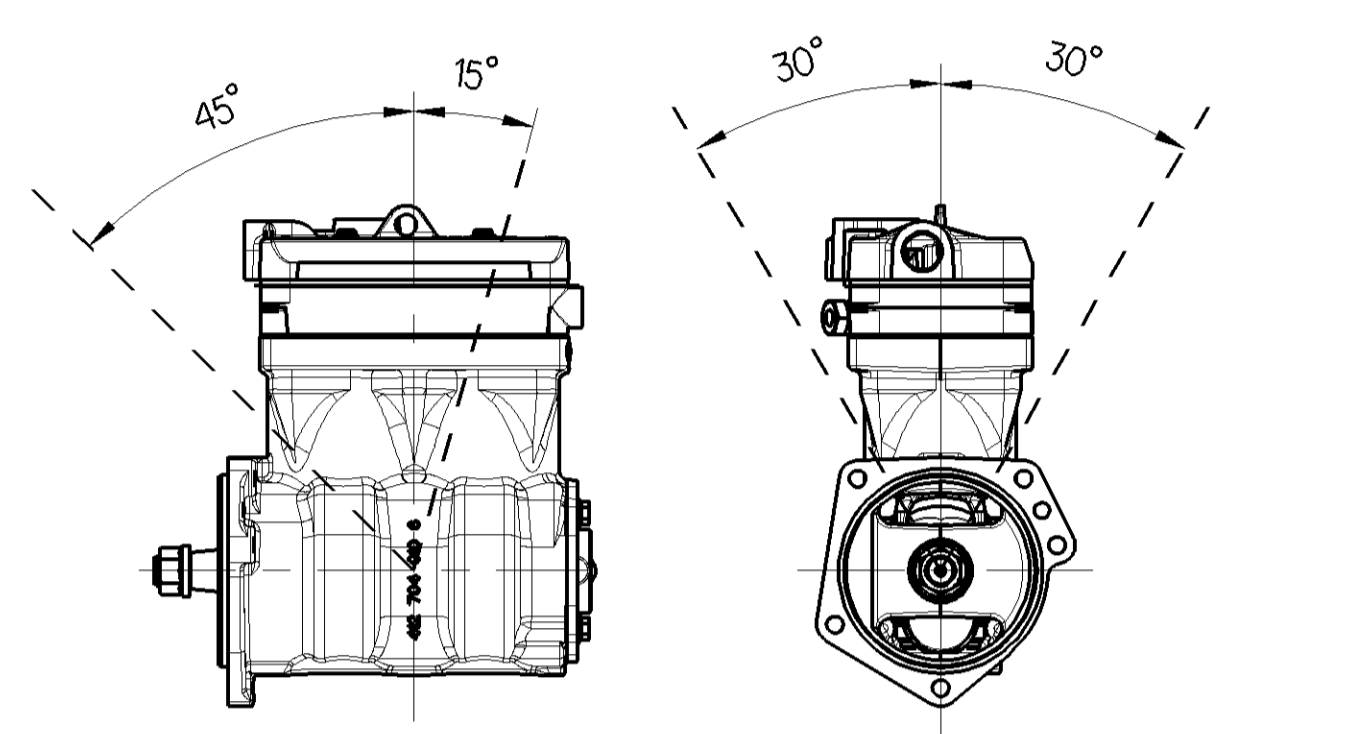
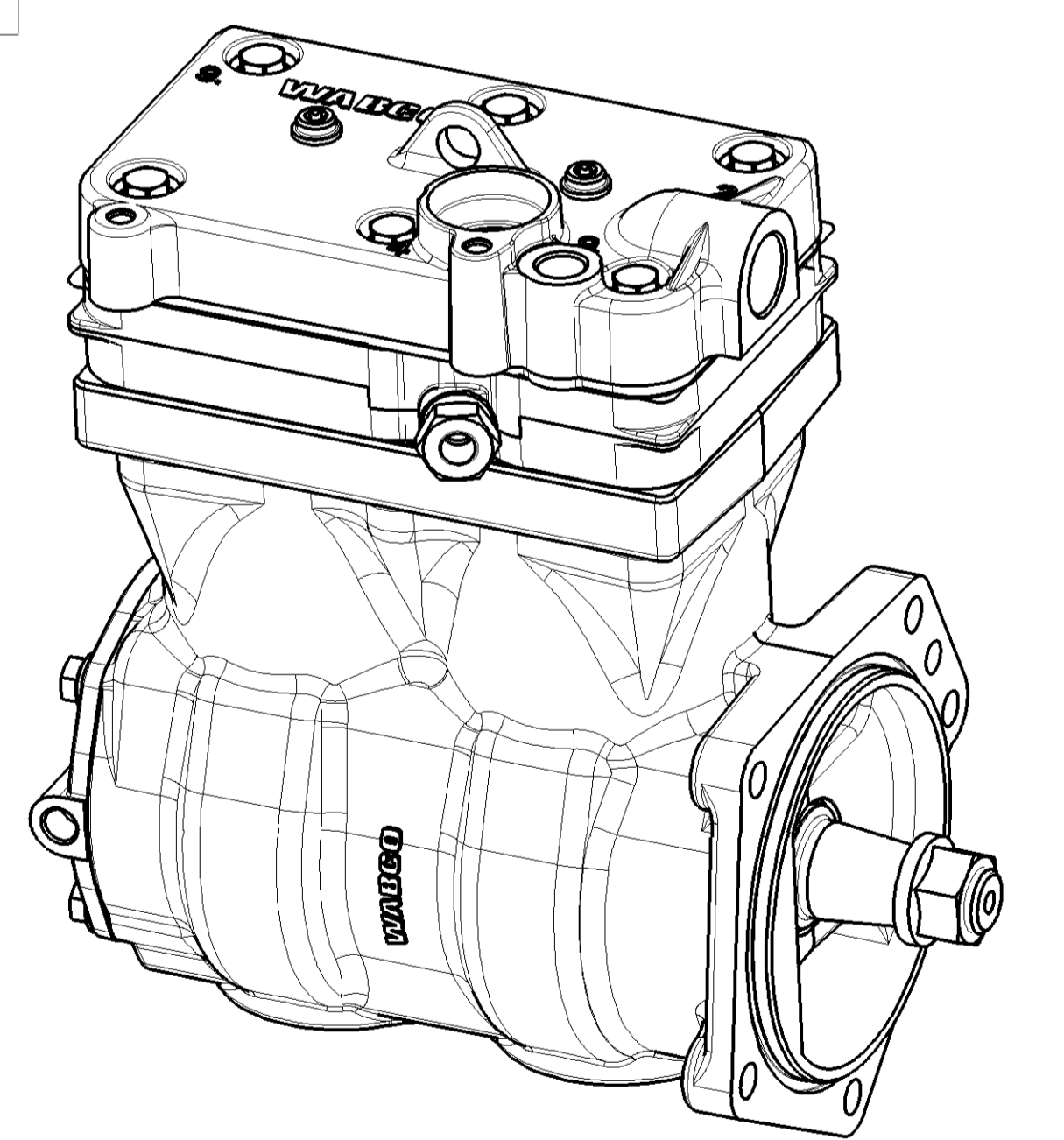
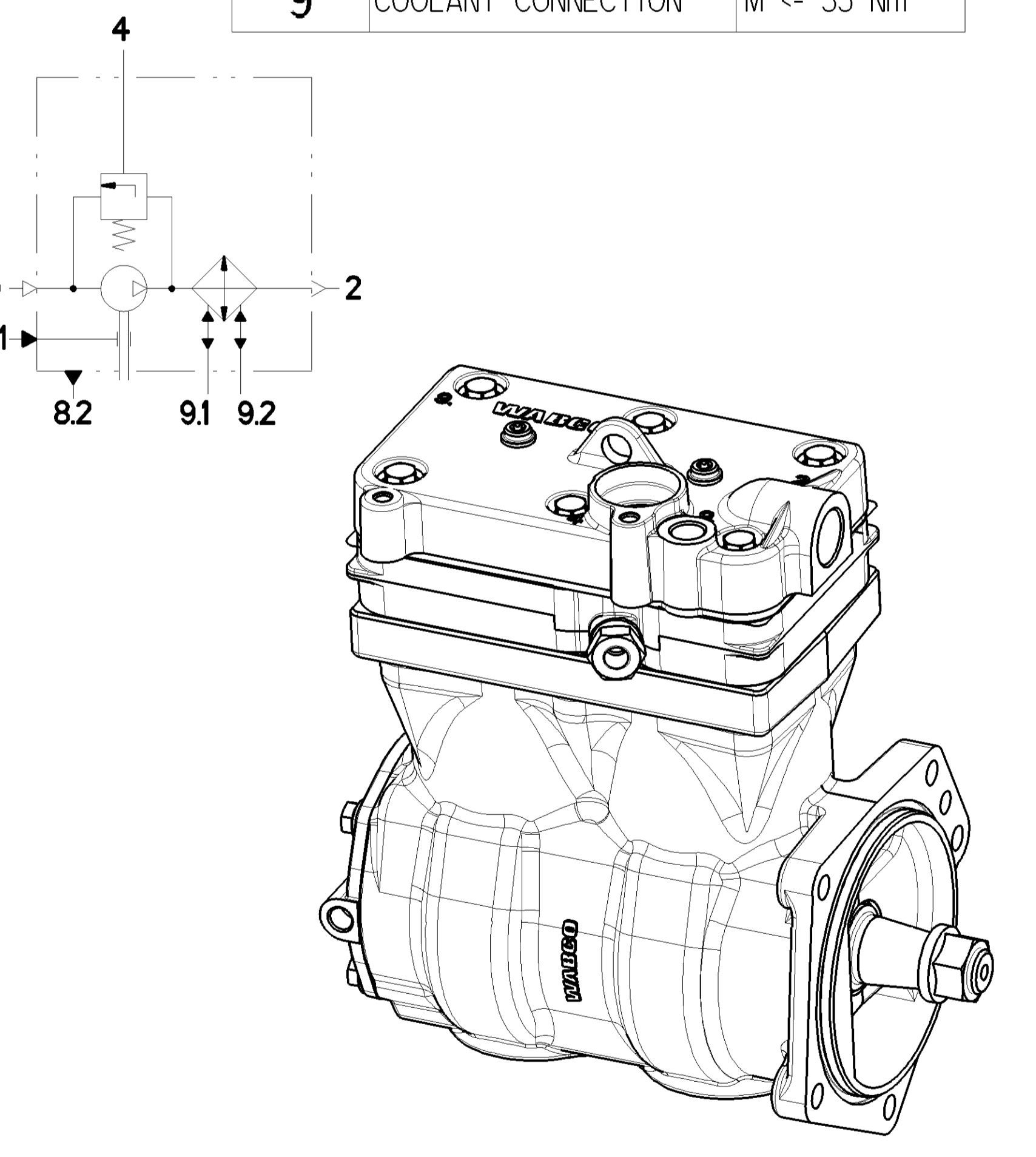
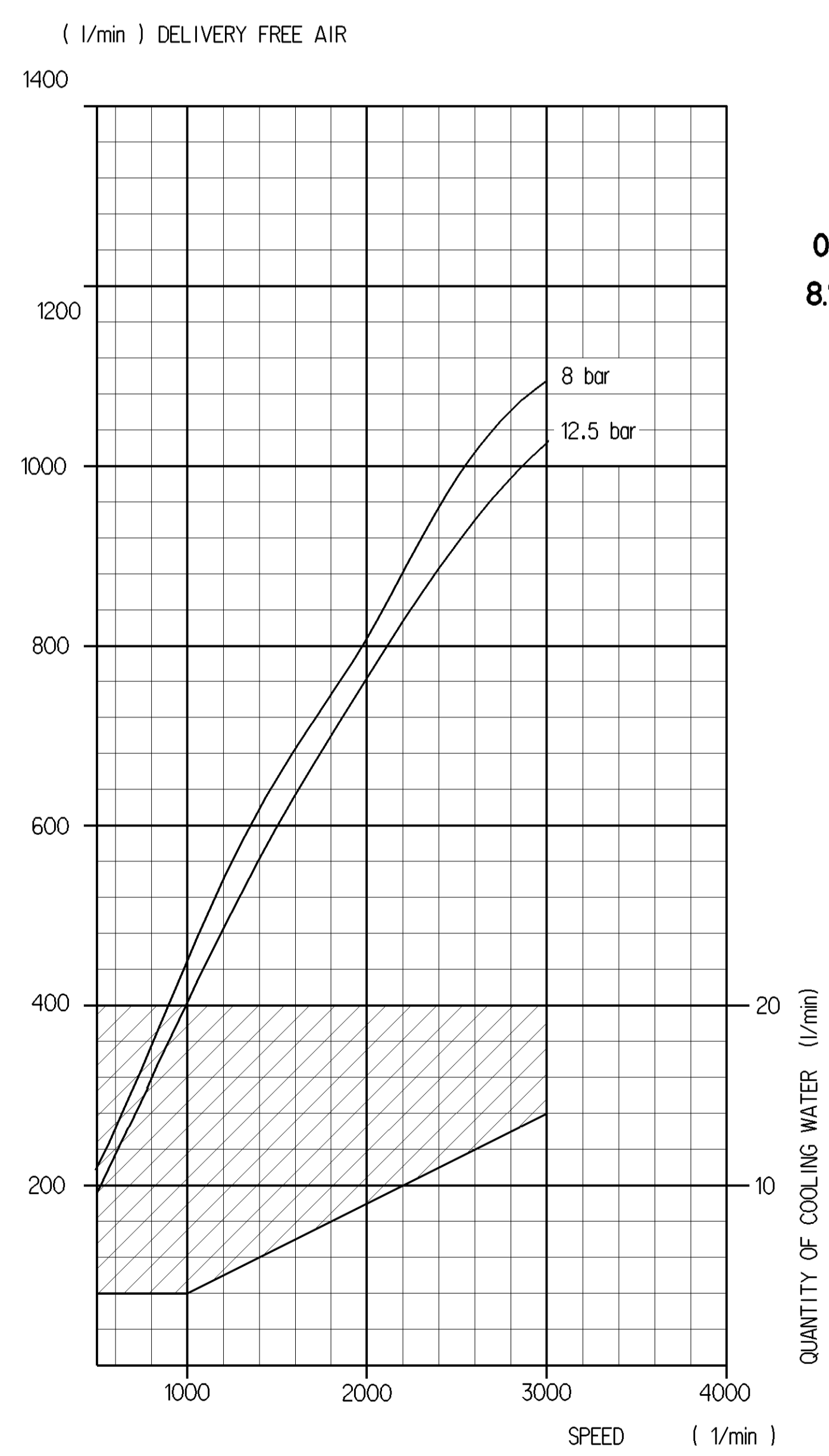
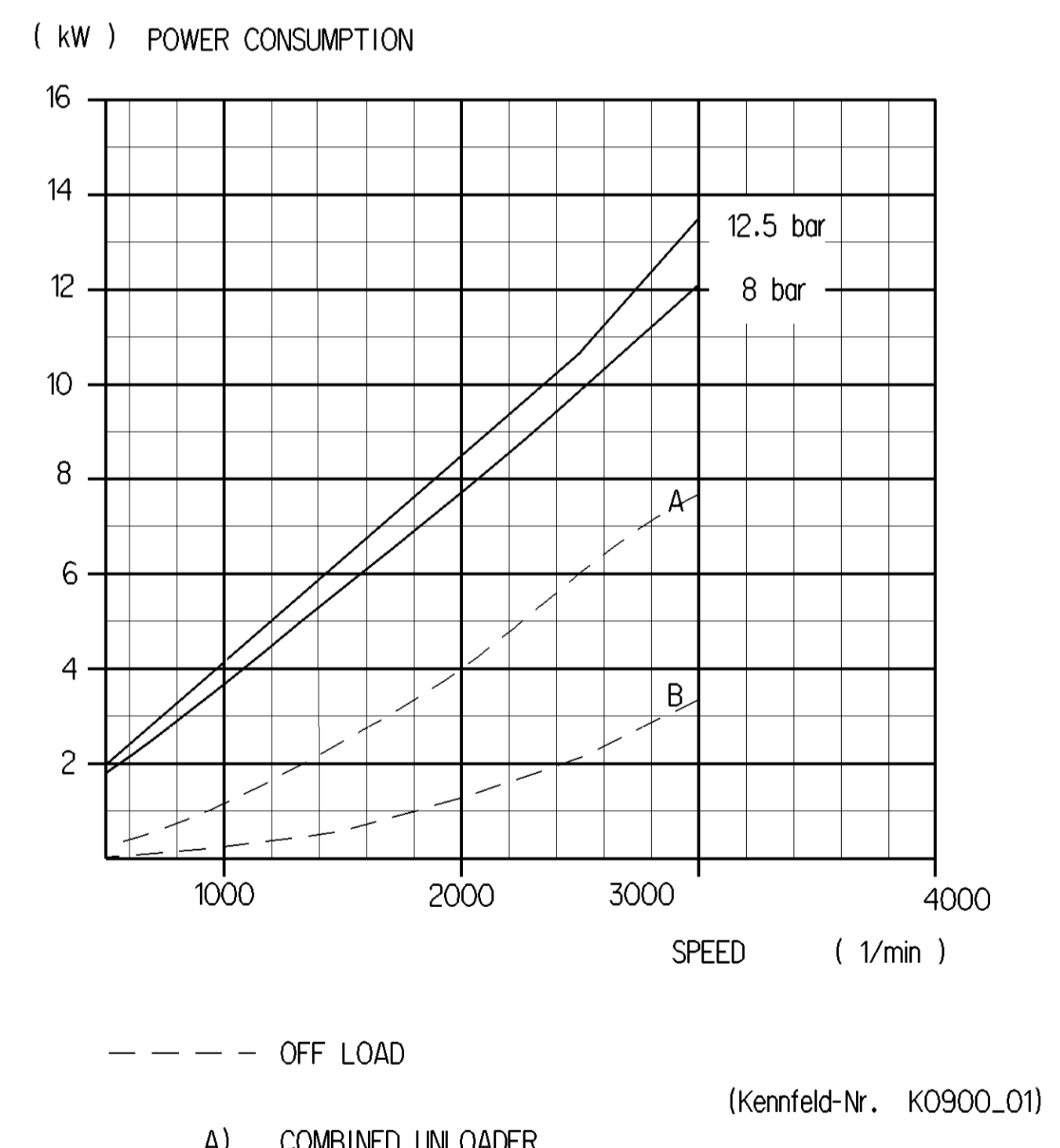
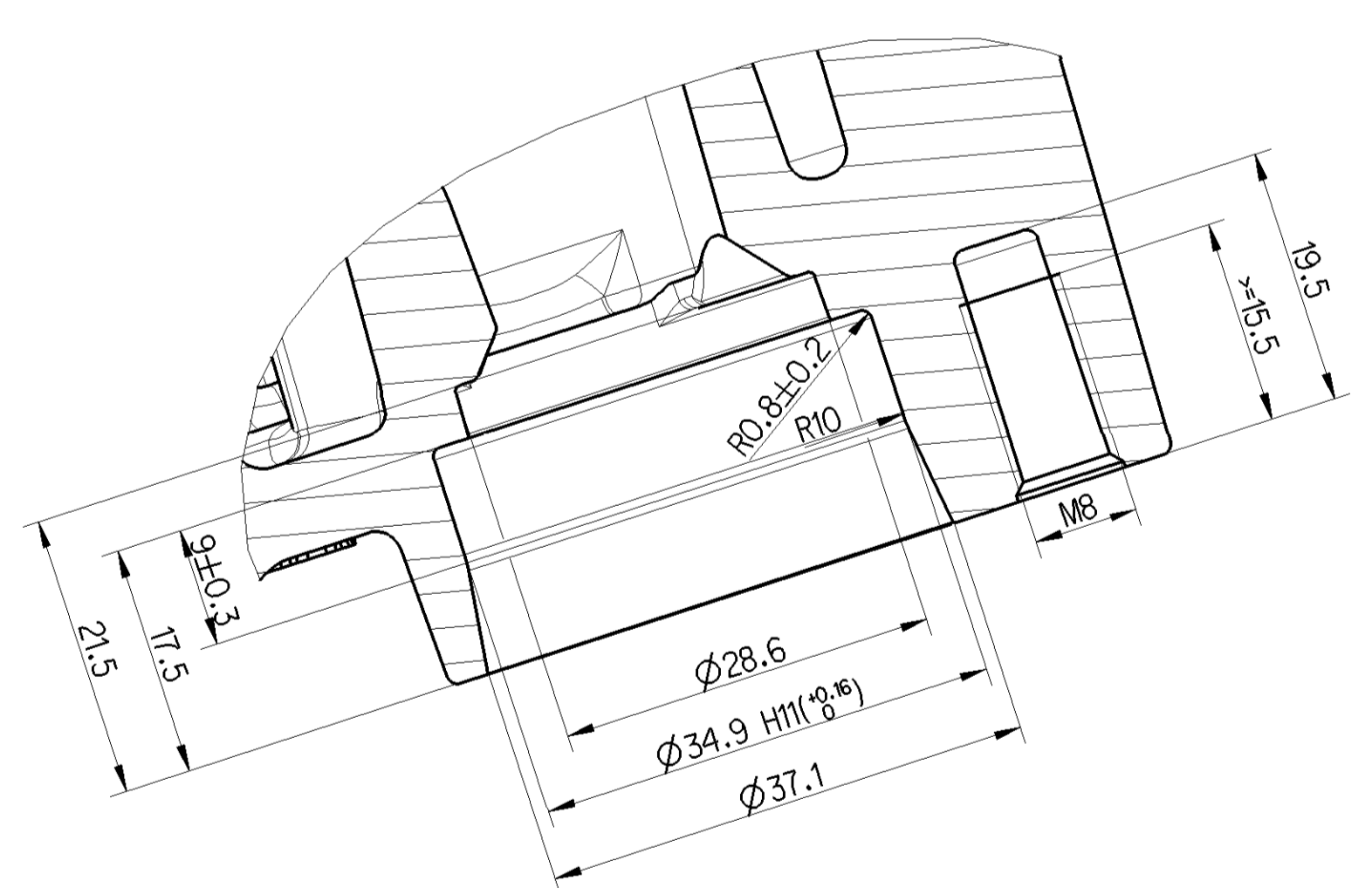
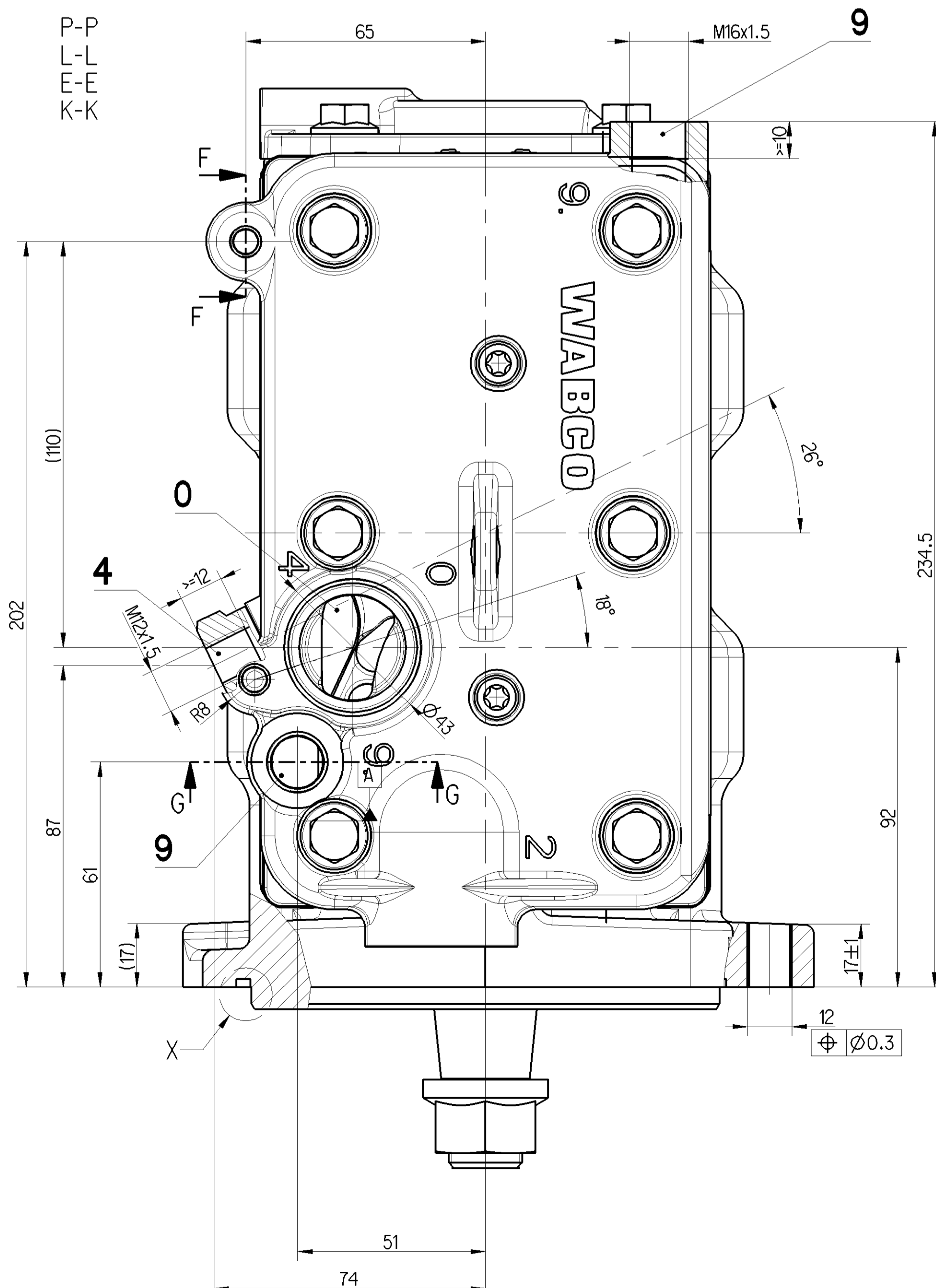


WORKING MEDIUM	AIR
COOLANT	WATER WITH ANTIFREEZE
BORE	\varnothing 85 mm
STROKE	62 mm
SWEPT VOLUME	704 cm ³
MAX. WORKING SPEED	$n_{max} = 3000 \text{ min}^{-1}$
OVERSPEED (MAX. 4 SEC.)	$n_{ue} = 1.3 \times n_{max}$
MAX. WORKING PRESSURE	12.5 bar
MAX. PRESSURE AT DISCHARGE PORT	14 bar
MAX. PRESSURE AT DISCHARGE PORT (TEMPORARY <=4 SEC.)	16 bar
LUBRICATION SUPPLIED FROM ENGINE	



MAX. PERMISSIBLE TILT DURING CONTINUOUS WORKING

0	SUCTION PORT	
2	DISCHARGE PORT	$M \leq 150 \text{ Nm}$
4	GOVERNOR PORT	$M \leq 25 \text{ Nm}$
8.1	OIL SUPPLY	$M \leq 25 \text{ Nm}$
8.2	OIL DRAIN	
9	COOLANT CONNECTION	$M \leq 35 \text{ Nm}$



① CUSTOMER'S LABEL

General Specifications: 4E-534-0 - Size 150 14405-1 E	Copyright WABCO®	WABCO
Further Technical Data: 412 704 008 R	Doc. Code: 035	TWIN CYLINDER COMPRESSOR
Doc. Code: 035	Sheet: 1 To 7	ZWEIZYLINDERKOMPRESSOR
General Tolerances: 4E-261	2016-TI-10	Trojko
2016-TI-10	2016-TI-10	Skoda
Class 10	19.13	1:1
Medium X	1.0	2.0
Coarse	2.0	3.5
	5.0	6.5
Tapped Holes acc. to: 4E-752	A 0	005 EN 1/1
Tolerance class Applied: Unspecified	2009	