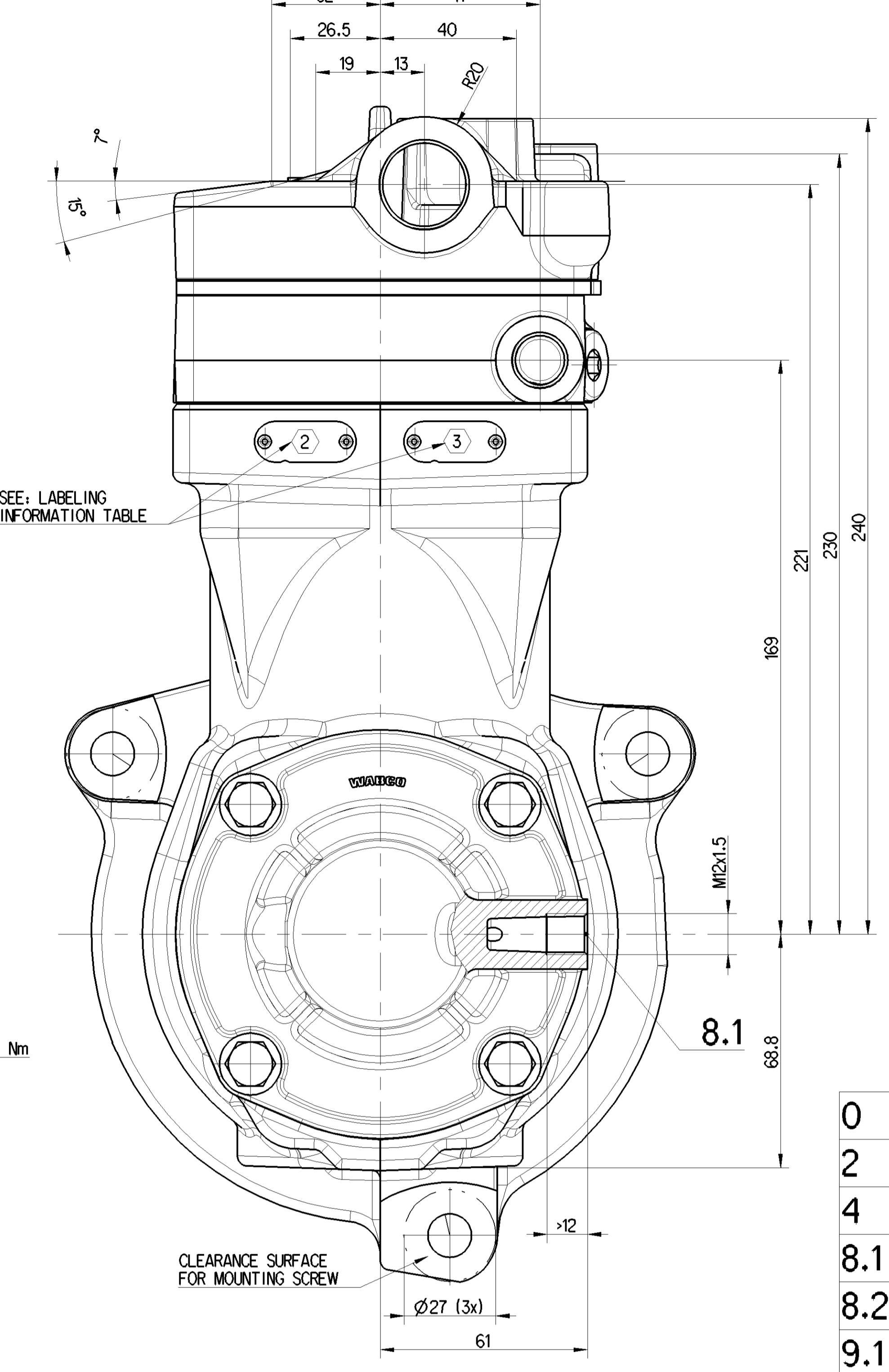
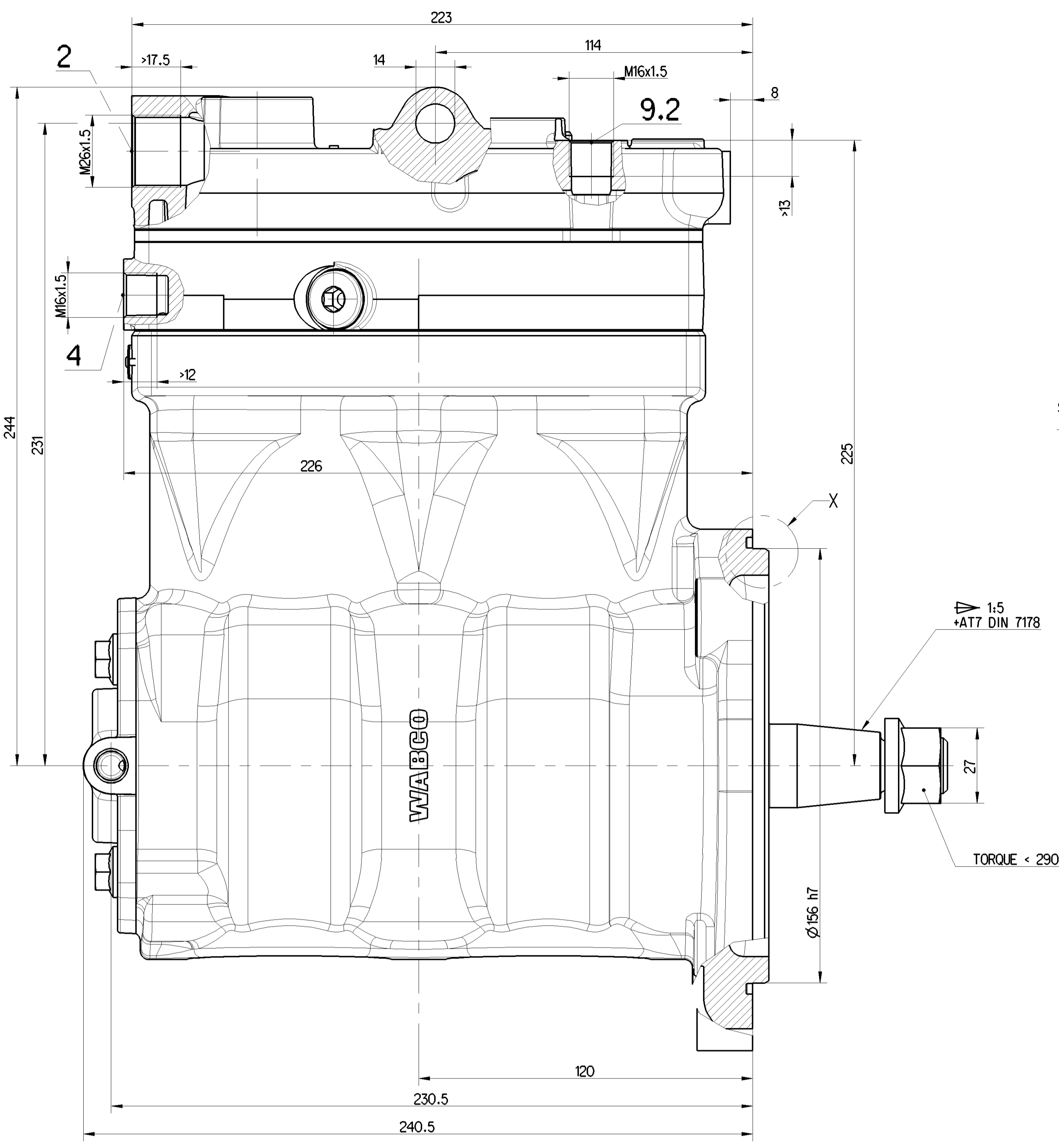
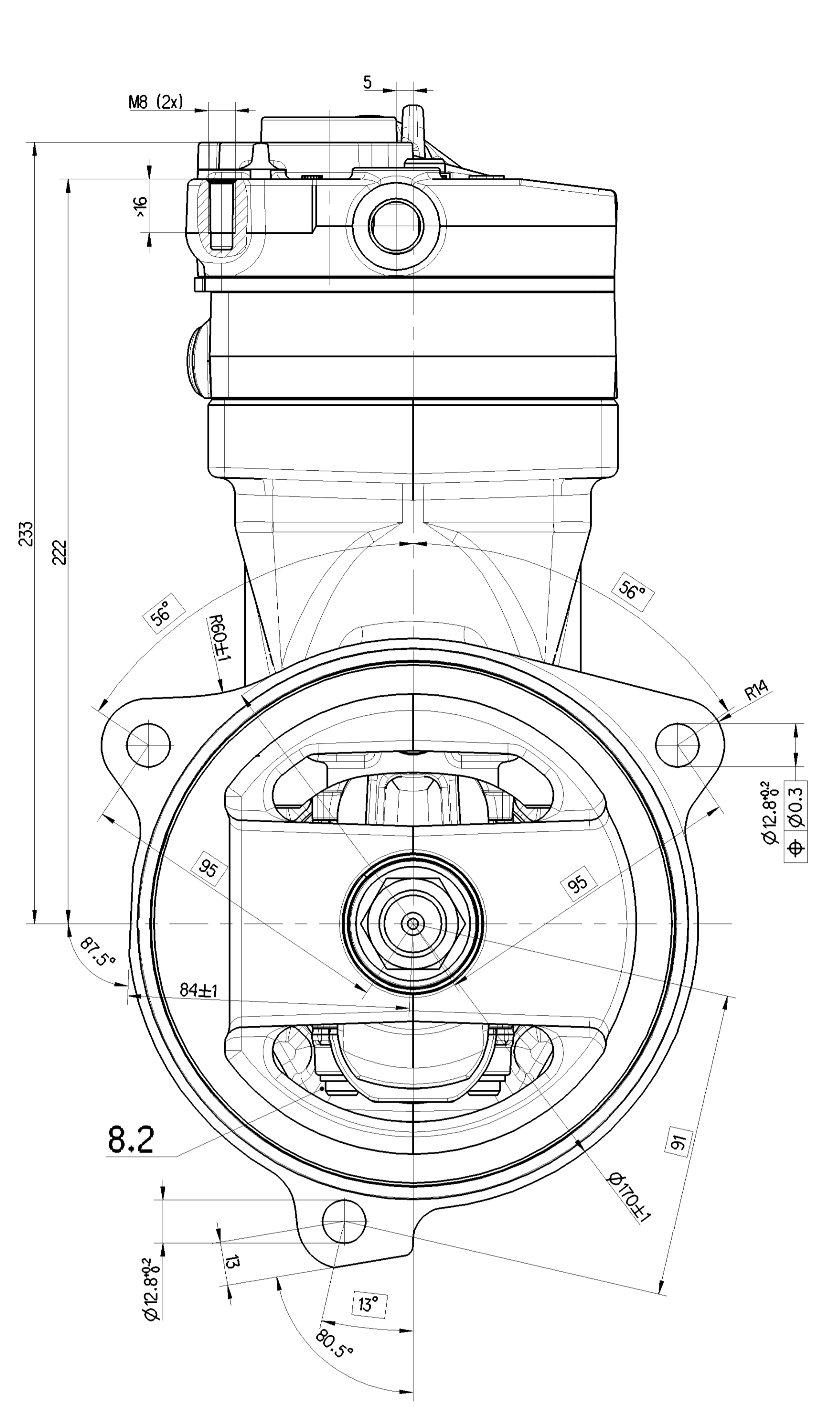
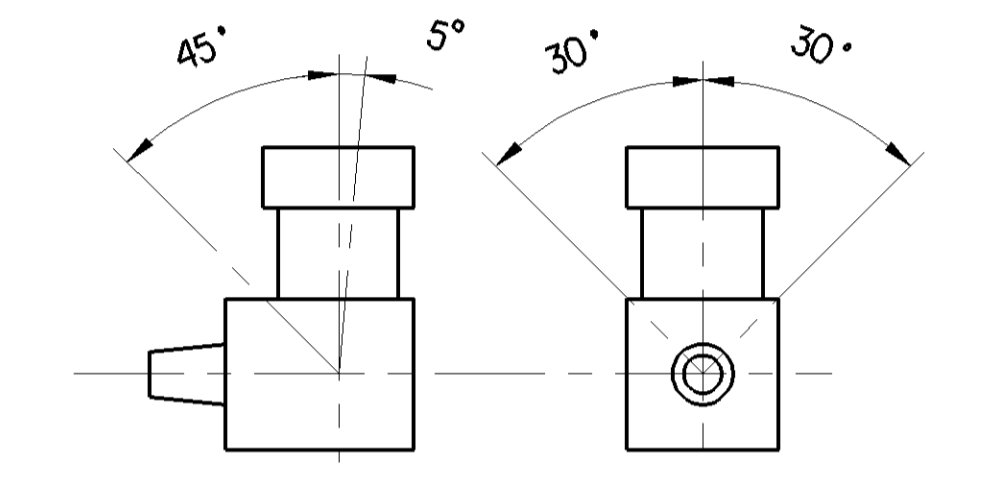


Ø156 h7	0
	-0.04
Ø34.9 H11	+0.16
	0

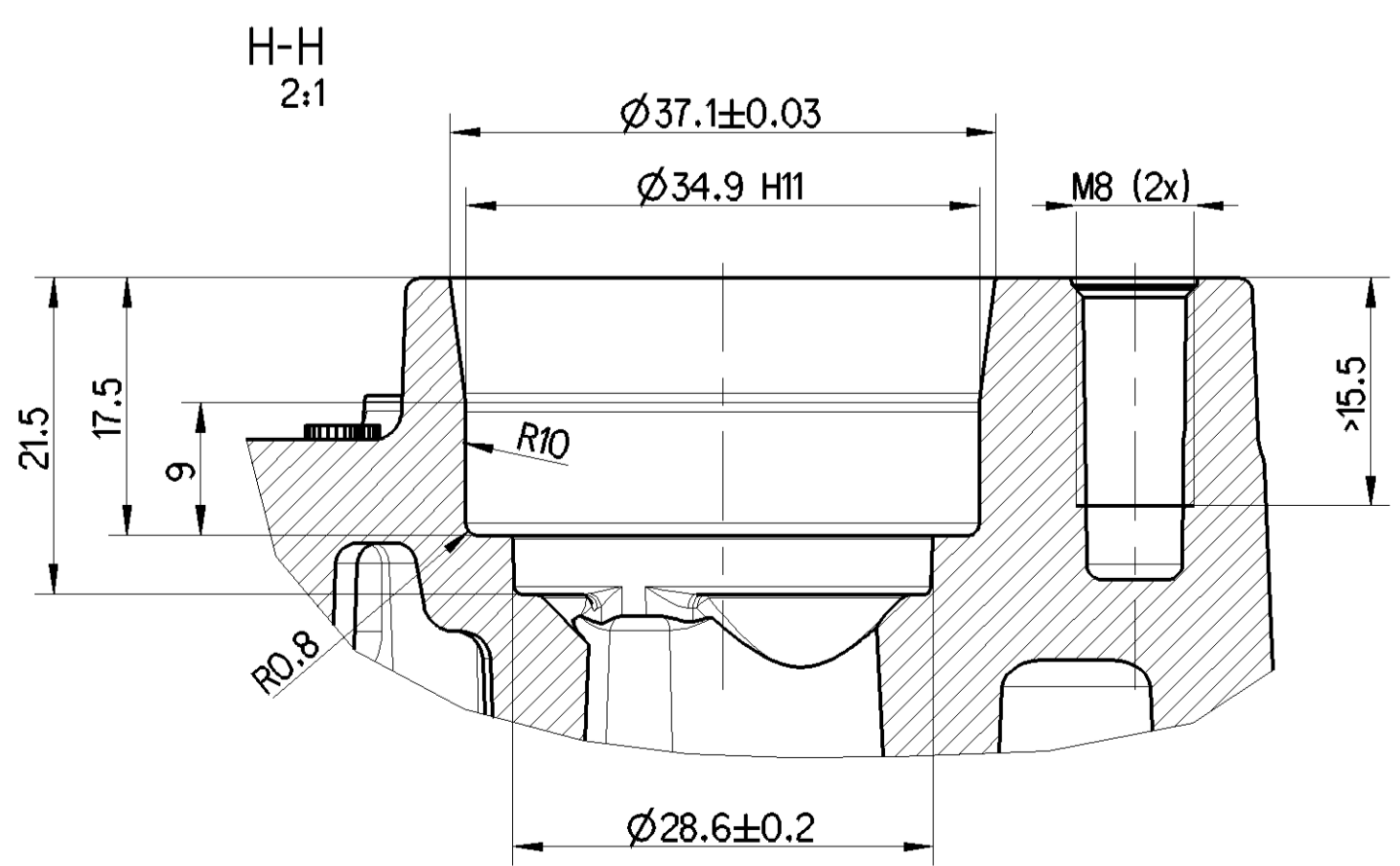
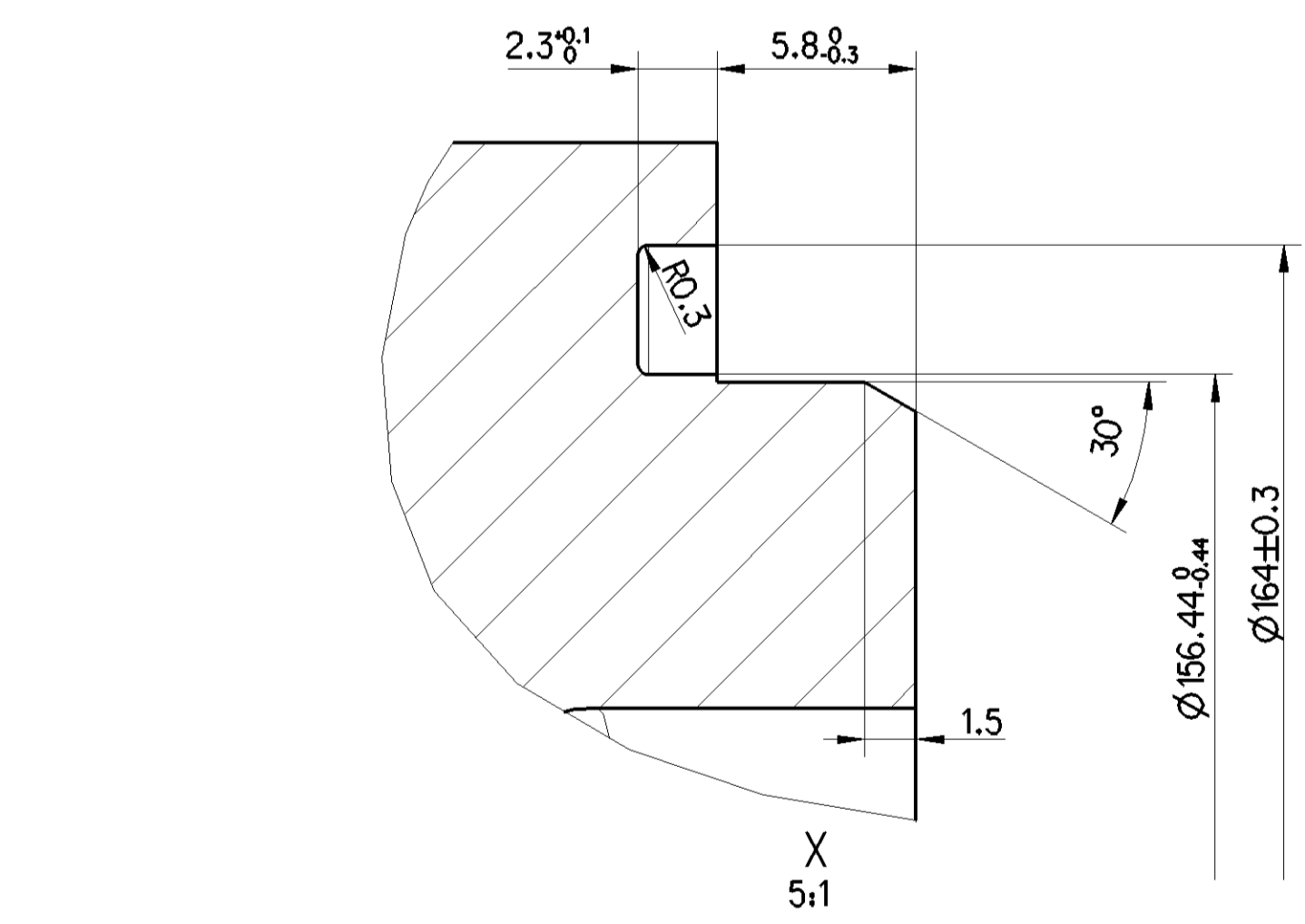
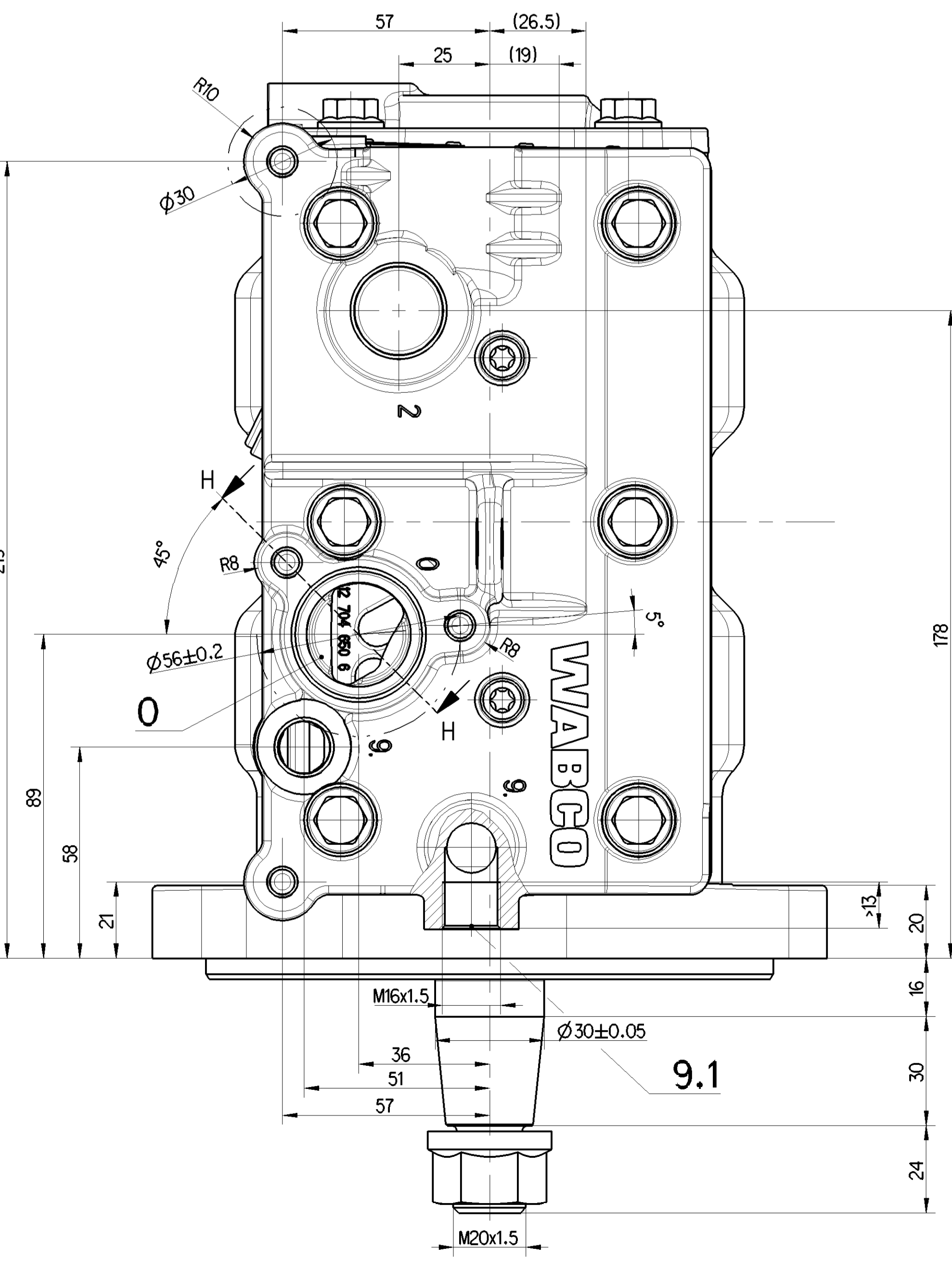
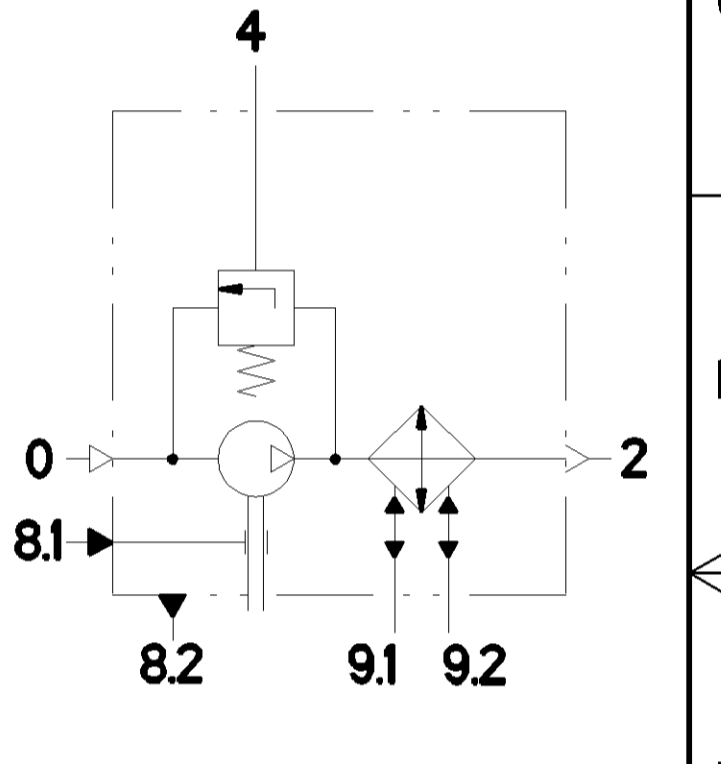


WORKING MEDIUM	AIR
COOLANT	WATER WITH ANTIFREEZE
BORE	Ø 85 mm
STROKE	62 mm
SWEPT VOLUME	704 cm ³
MAX. WORKING SPEED	n _{max} = 3000 min ⁻¹
OVERSPEED (MAX. 4 SEC.)	n _{ue} = 1.3 x n _{max}
MAX. WORKING PRESSURE	14 bar (1)
TOP PRESSURE (MAX. 4 SEC)	16 bar (1)
LUBRICATION SUPPLIED FROM ENGINE	
PAINTED BLACK ON NOT MACHINED CAST IRON SURFACES	
FREE FROM ASBESTOS	

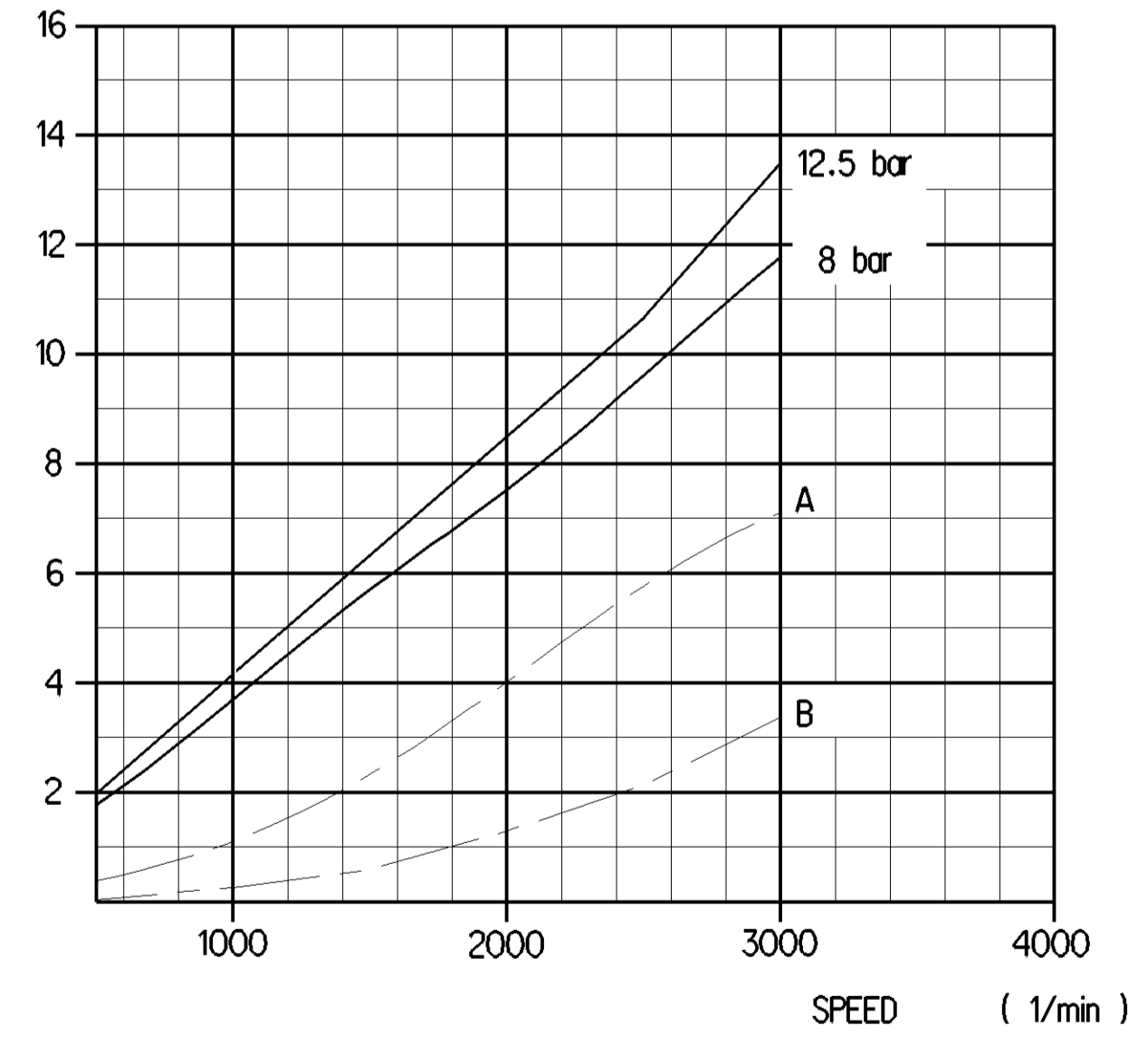
(1) MEASURE AT DISCHARGE PORT
MAX. PERMISSIBLE TILT DURING CONTINUOUS WORKING



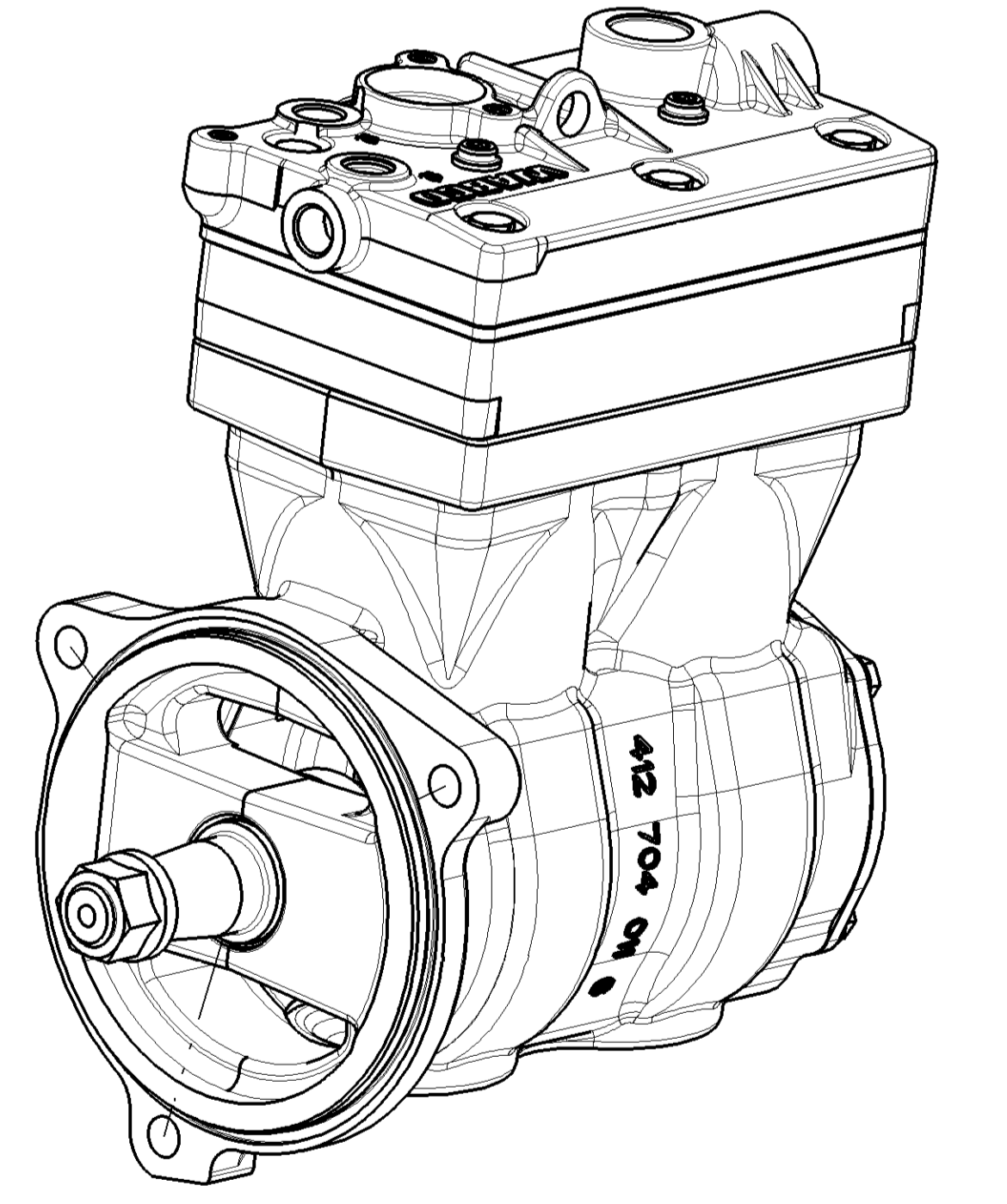
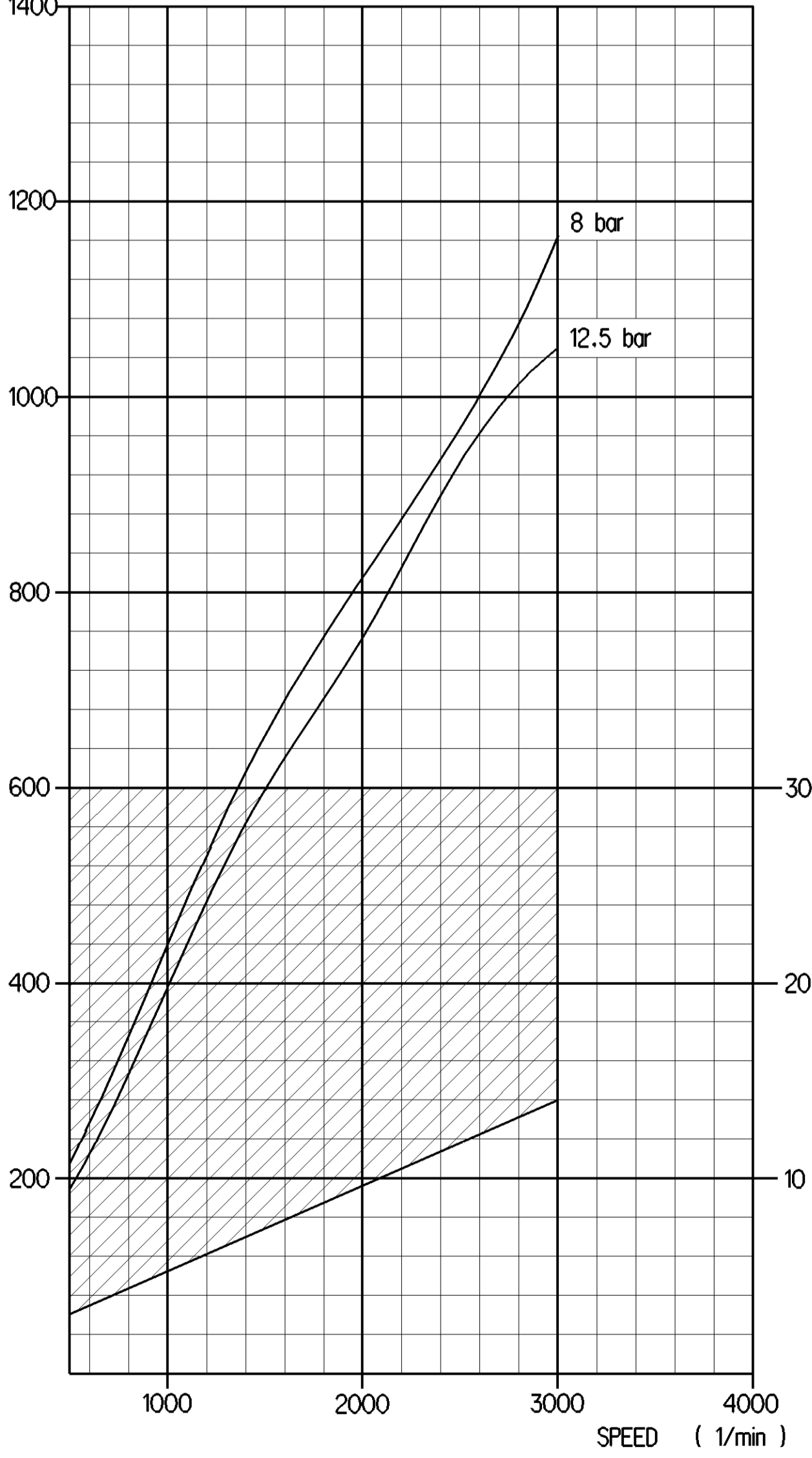
0	SUCTION PORT	
2	DISCHARGE PORT	M ≤ 67 Nm
4	GOVERNOR PORT	M ≤ 21 Nm
8.1	OIL SUPPLY	M ≤ 21 Nm
8.2	OIL DRAIN	
9.1	COOLANT CONNECTION	M ≤ 34 Nm
9.2		



(kW) POWER CONSUMPTION



(l/min) DELIVERY FREE AIR



** ALSO VALID FOR PRI: 037, 003

LABELING INFORMATION TABLE (SEE ALSO DOC.922)		
PRODUCTION SITE	LABEL	LABEL ID NUMBER
PRI 048 **	(2)	899 050 145 4
	(3)	(1) 899 052 930 4 (NOT APPLICABLE FOR IAM)

General Specifications: 412-534-1, Size ISO 144/05 LP		Copyright WABCO®		WABCO	
Further Technical Data: 412 704 024 R		Date: 2019-03-11		Doc. Code: 025	
Doc. Code: 025		Sheet: 1 To 7		2019-03-11 Zygabo	
General Tolerances: 412-261		2019-03-11 Fibronski		TWIN CYLINDER COMPRESSOR	
Range of Nominal Dimensions (± a mm)		SLOBOZIAN		Drawing No.	
Class	1	2	3	4	5
Size	0.5	1.0	1.5	2.0	2.5
Medium	X	1.0	2.0	3.0	4.0
Course	X	2.0	3.5	5.0	6.5
Size	20.110	1:1	412 704 024 R		Date of 1st issue: 2016-07-15
Course	A 0	OREO	412 704 024 R	005 EN 1/1	Sheet
Tapped holes acc. 412-102		Revision: 1		Replacement for	
Tolerance class: Applied: Unmachined		19484		2019	