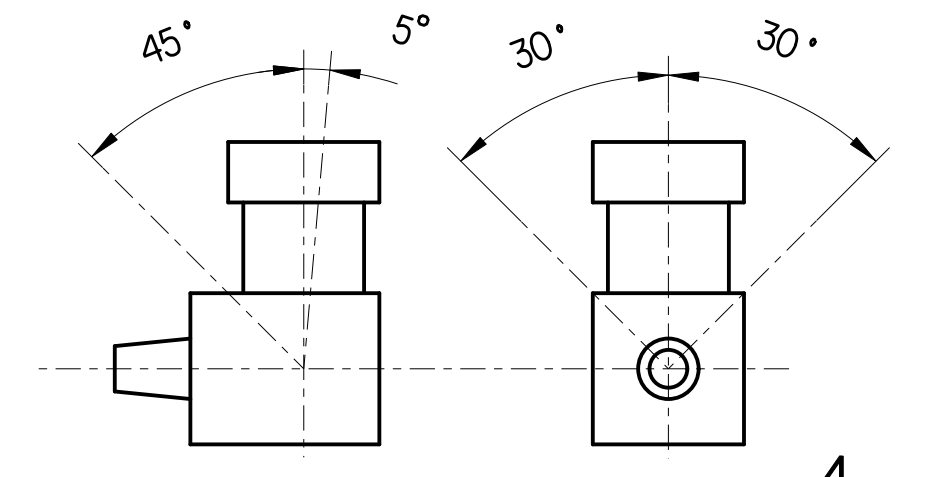


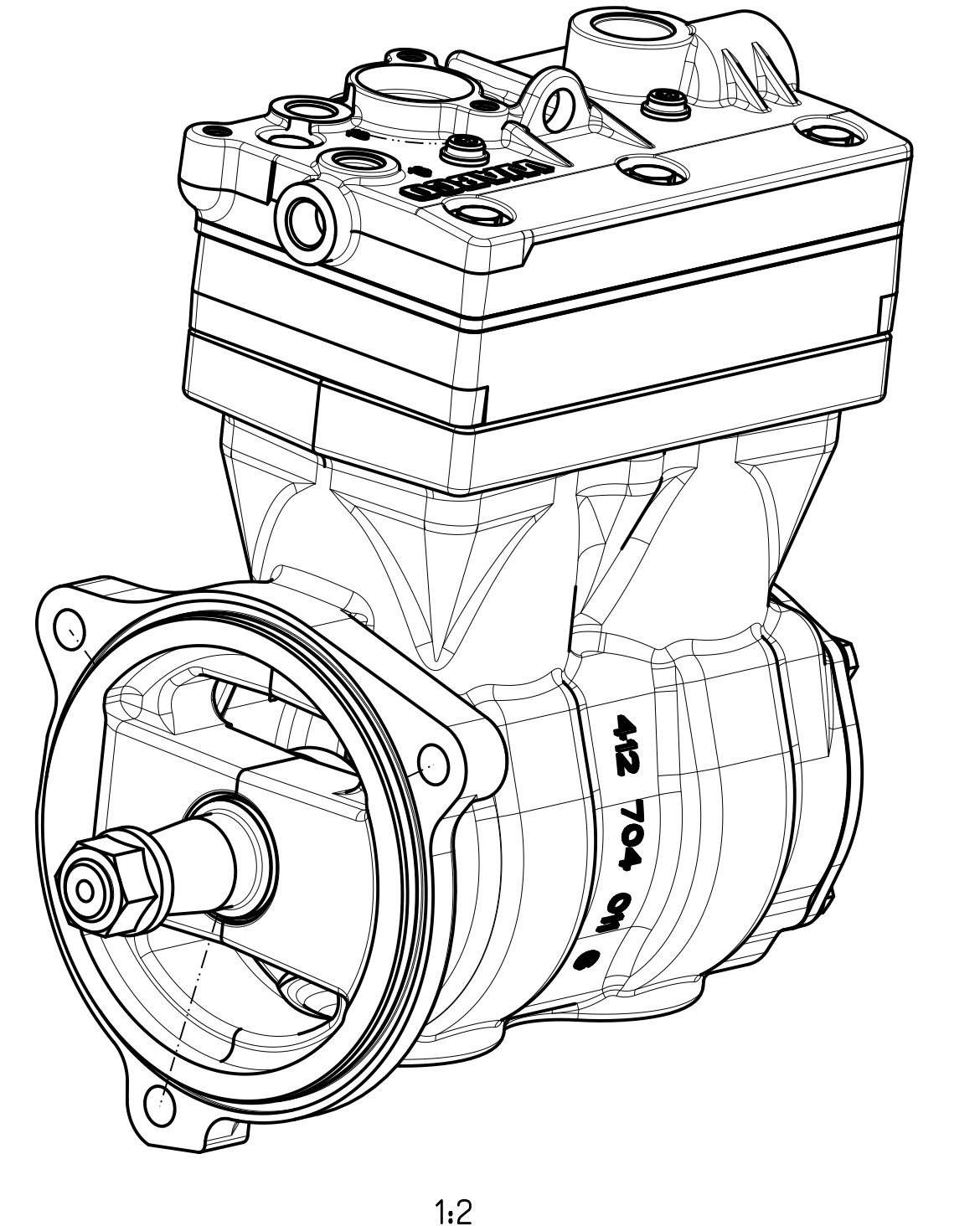
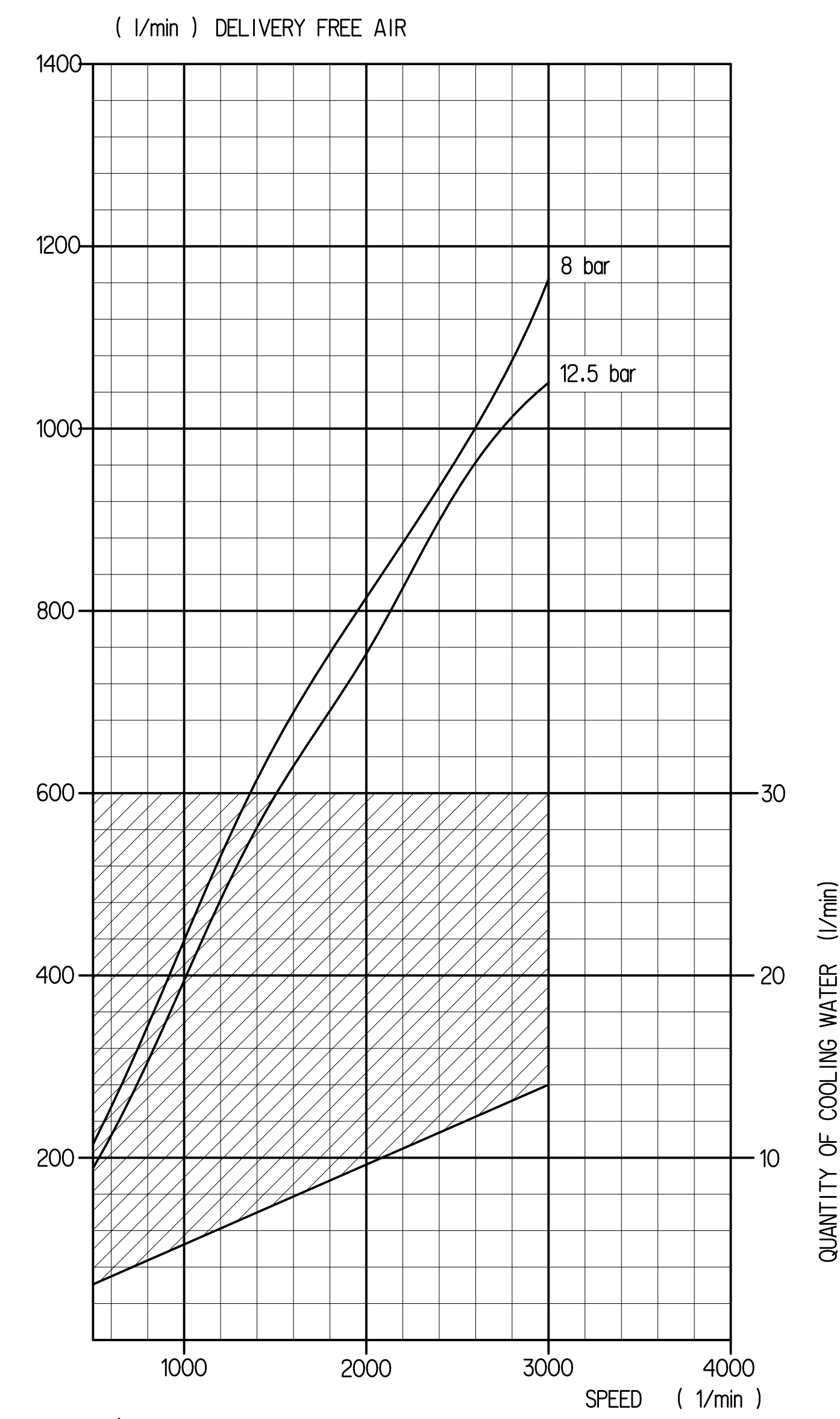
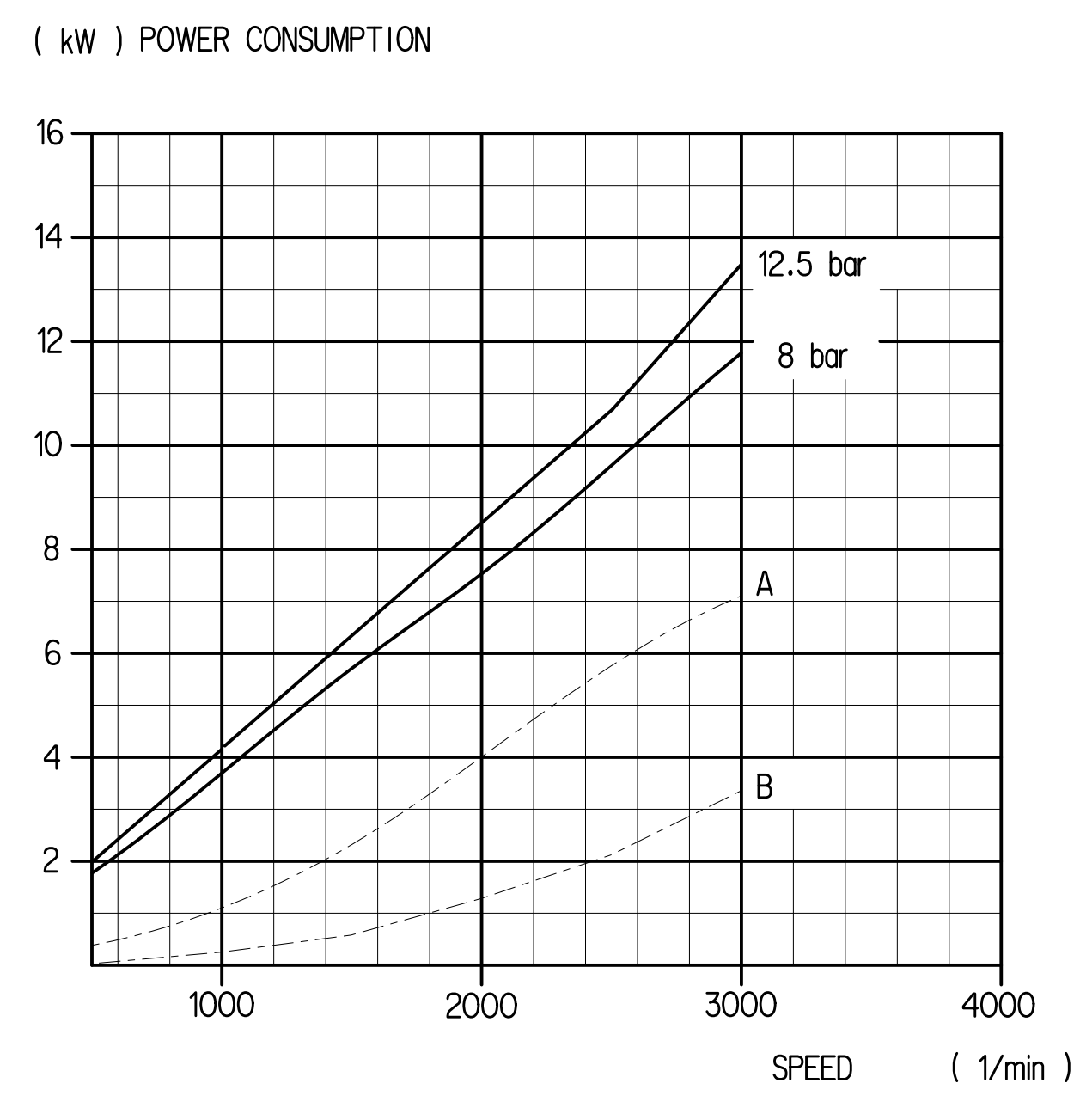
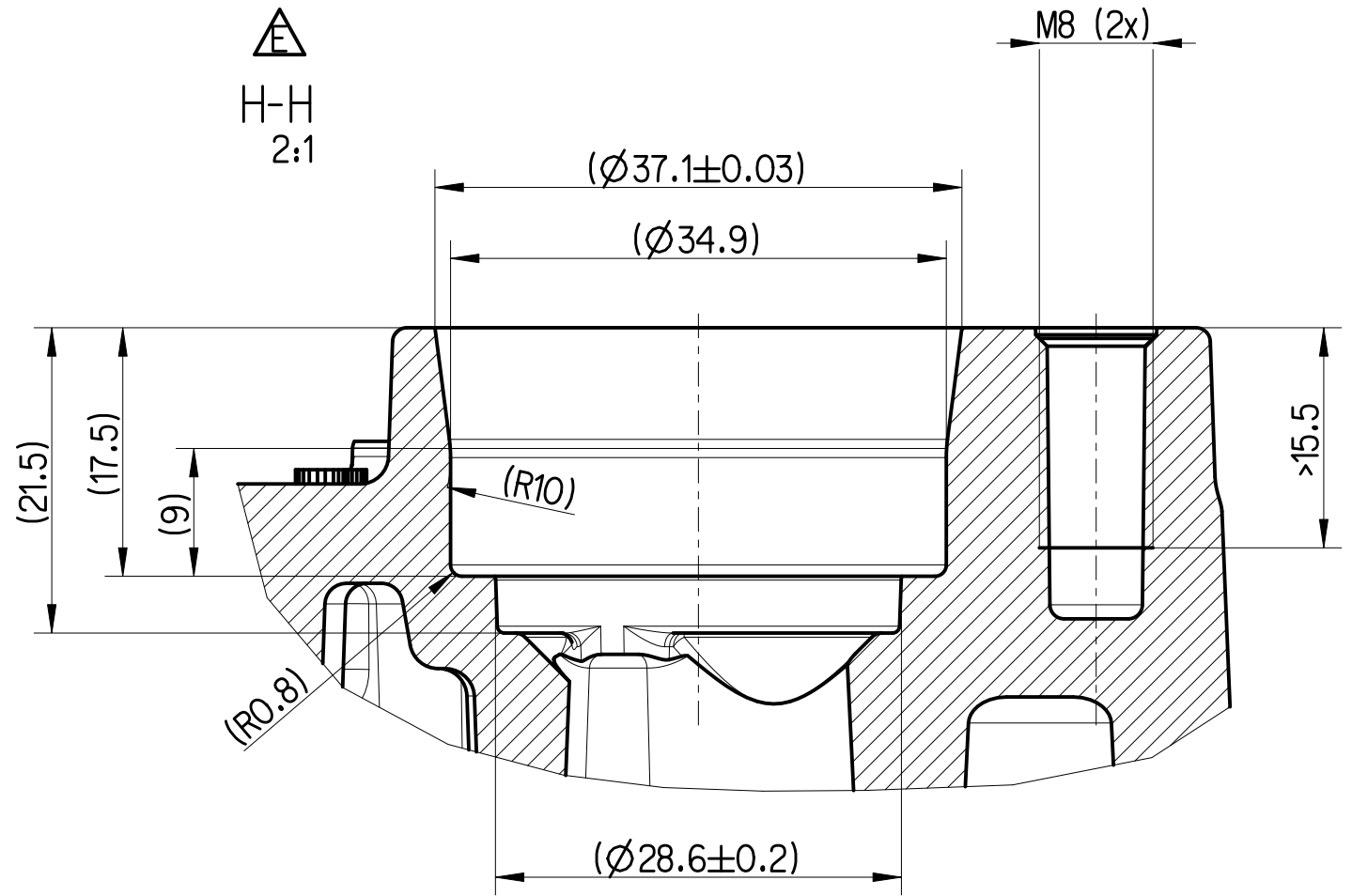
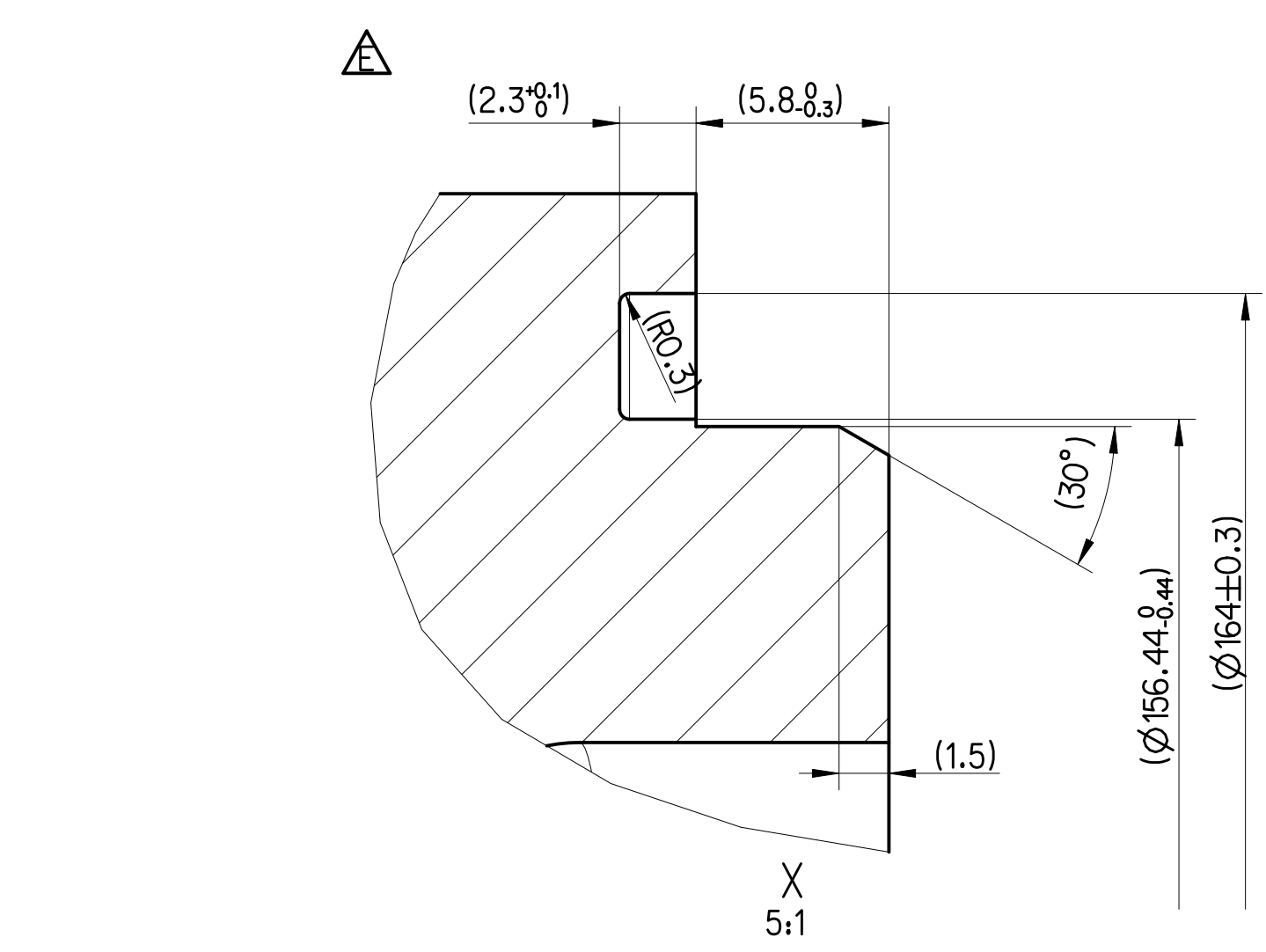
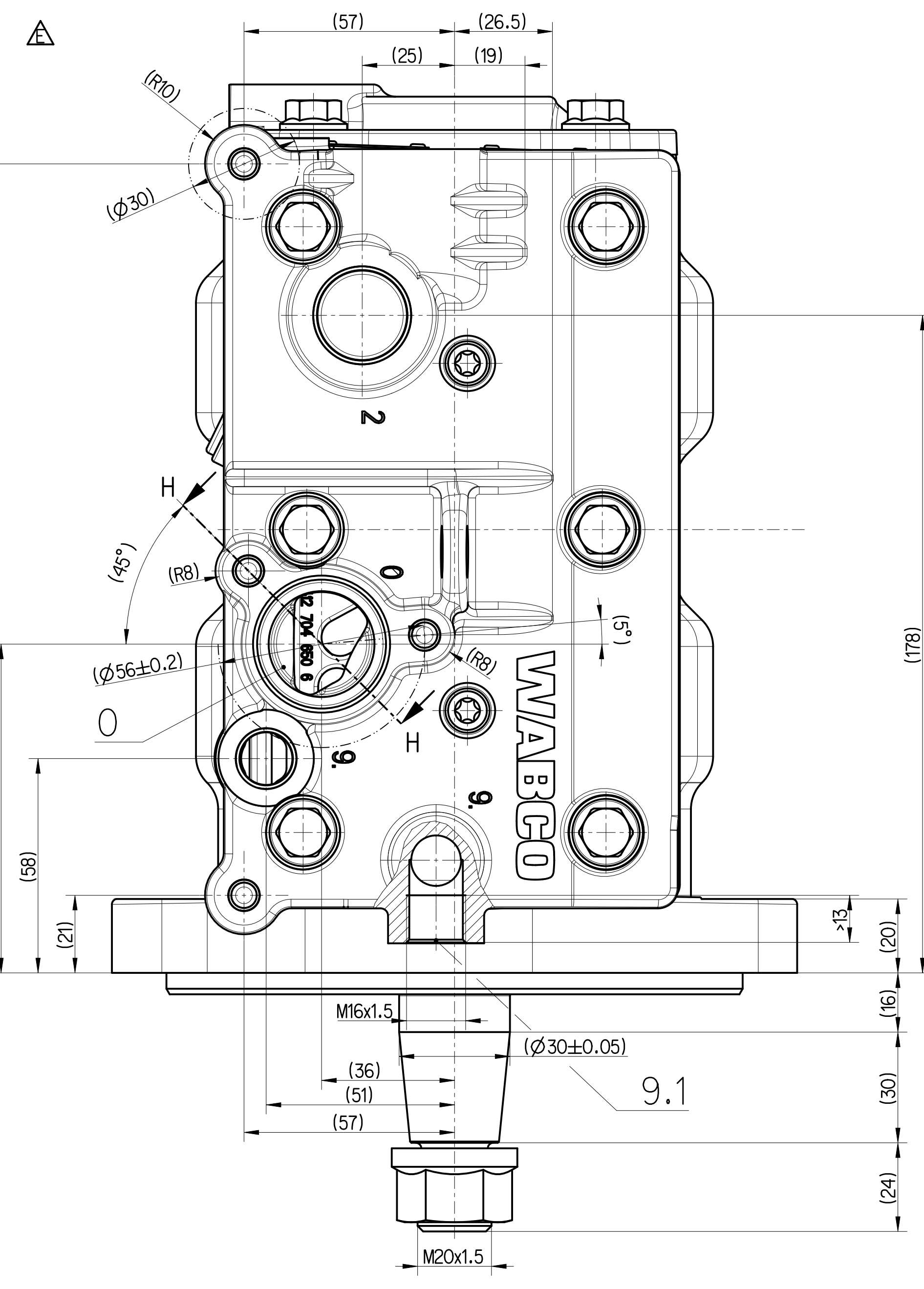
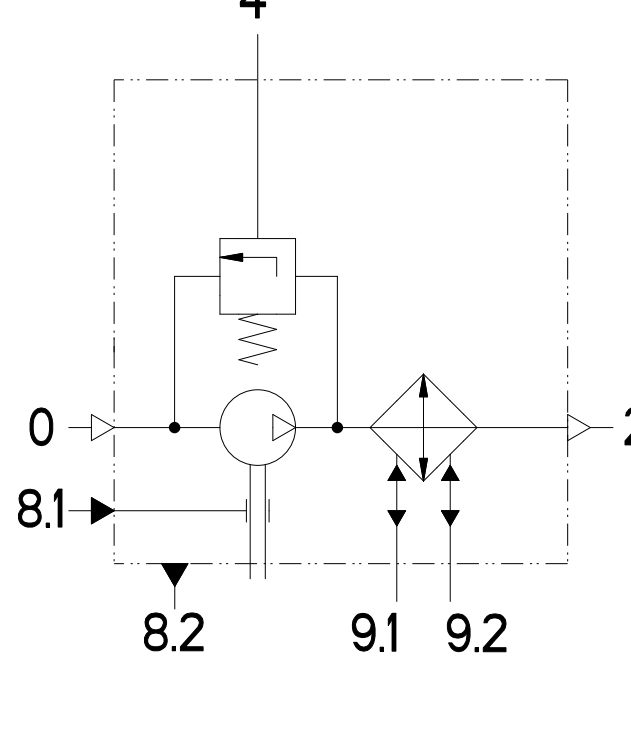
WORKING MEDIUM	AIR
COOLANT	WATER WITH ANTIFREEZE
BORE	∅ 85 mm
STROKE	62 mm
SWEPT VOLUME	704 cm ³
MAX. WORKING SPEED	n _{max} = 3000 min ⁻¹
OVERSPEED (MAX. 4 SEC.)	n _{ue} = 1.3 x n _{max}
MAX. WORKING PRESSURE	14 bar (1)
TOP PRESSURE (MAX. 4 SEC)	16 bar (1)
LUBRICATION SUPPLIED FROM ENGINE	
PAINTED BLACK ON NOT MACHINED CAST IRON SURFACES	
FREE FROM ASBESTOS	

∅156 h7	0
	-0.04
∅34.9 H11	+0.16
	0

(1) MEASURE AT DISCHARGE PORT
MAX. PERMISSIBLE TILT DURING CONTINUOUS WORKING



0	SUCTION PORT	
2	DISCHARGE PORT	M ≤ 67 Nm
4	GOVERNOR PORT	M ≤ 21 Nm
8.1	OIL SUPPLY	M ≤ 21 Nm
8.2	OIL DRAIN	
9.1	COOLANT CONNECTION	M ≤ 34 Nm
9.2		



•• ALSO VALID FOR PRI: 037, 003

LABELLING INFORMATION TABLE (SEE ALSO DOC.922)

PRODUCTION SITE	LABEL	LABEL ID NUMBER	LABEL LAYOUT
PRI 048 ••	(2)	899 050 145 4	PRODUCTION DATE WABCO ID NUMBER
	(3)	899 052 930 4 (NOT APPLICABLE FOR IAM)	PARMA CODE: KRÁKÓV (POLAND): 55052 VOLVO NUMBER: 85013179

General Specification: ISO 8016, JE-534-1, Size ISO 14405 LP

Doc. Code: 030

2025-11-18

2025-11-18

Range of nominal dimensions in mm

Class	1	2	3	4	5
Fine	±0.05	±0.1	±0.15	±0.2	±0.3
Medium	±0.1	±0.2	±0.3	±0.4	±0.5
Course	±0.2	±0.3	±0.4	±0.5	±0.6

20.15 1:1

412 704 024 R

005 EN 1/1

50056 8x E 50056

This compressor is intended for use in vehicles equipped with a turbocharger. It is not intended for use in vehicles equipped with a diesel engine. The compressor is not intended for use in vehicles equipped with a diesel engine. The compressor is not intended for use in vehicles equipped with a diesel engine. The compressor is not intended for use in vehicles equipped with a diesel engine.