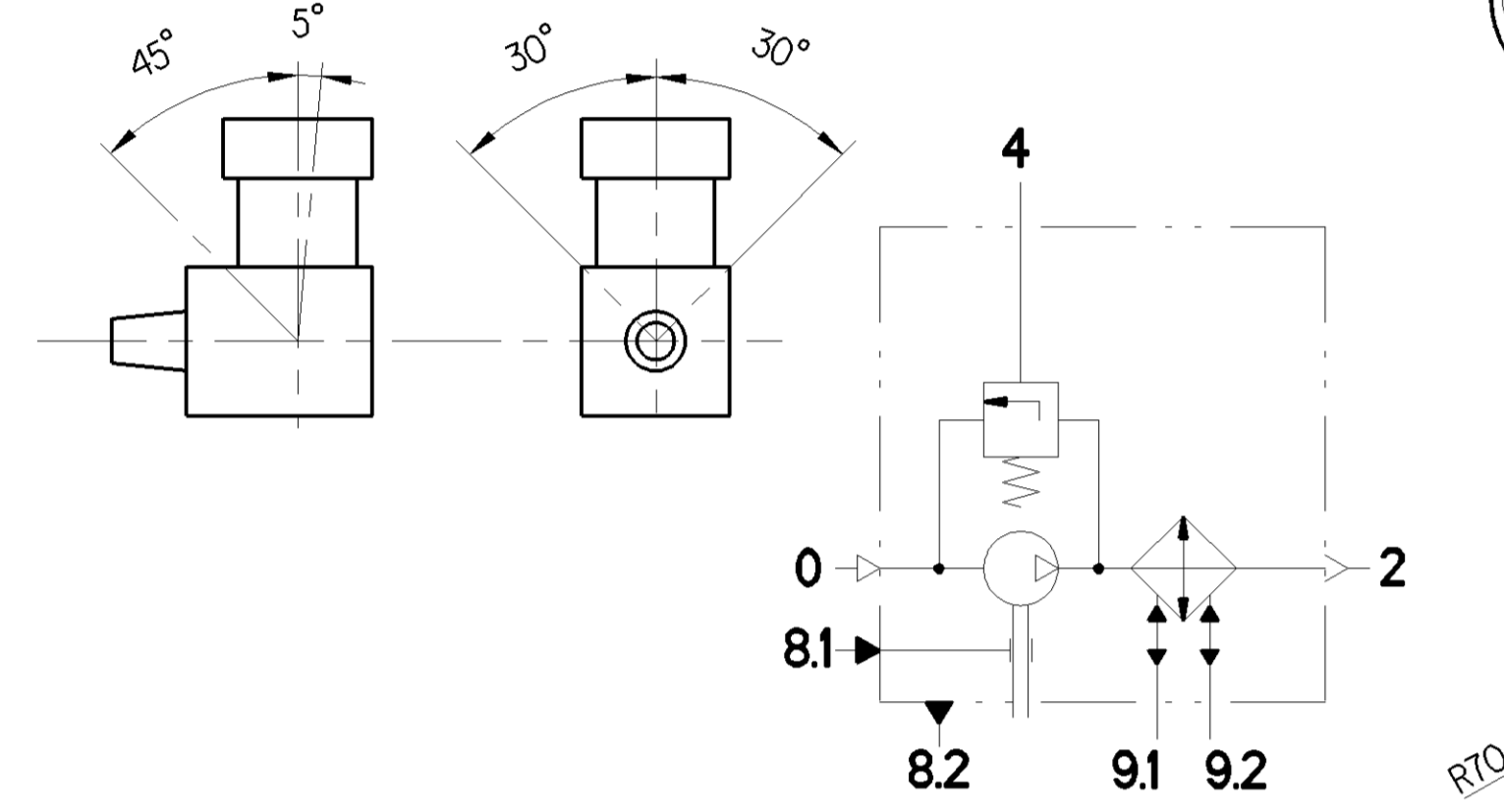


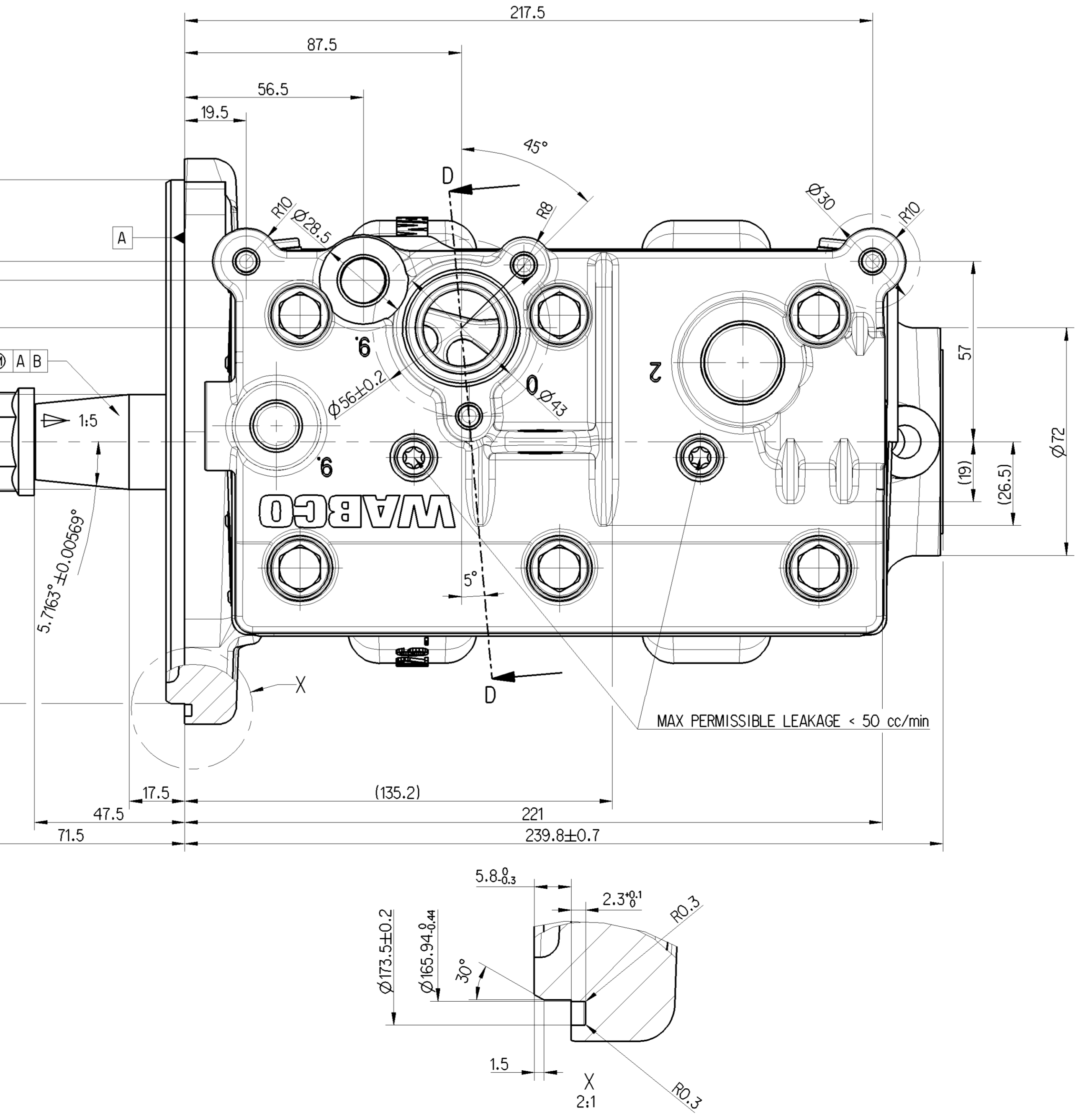
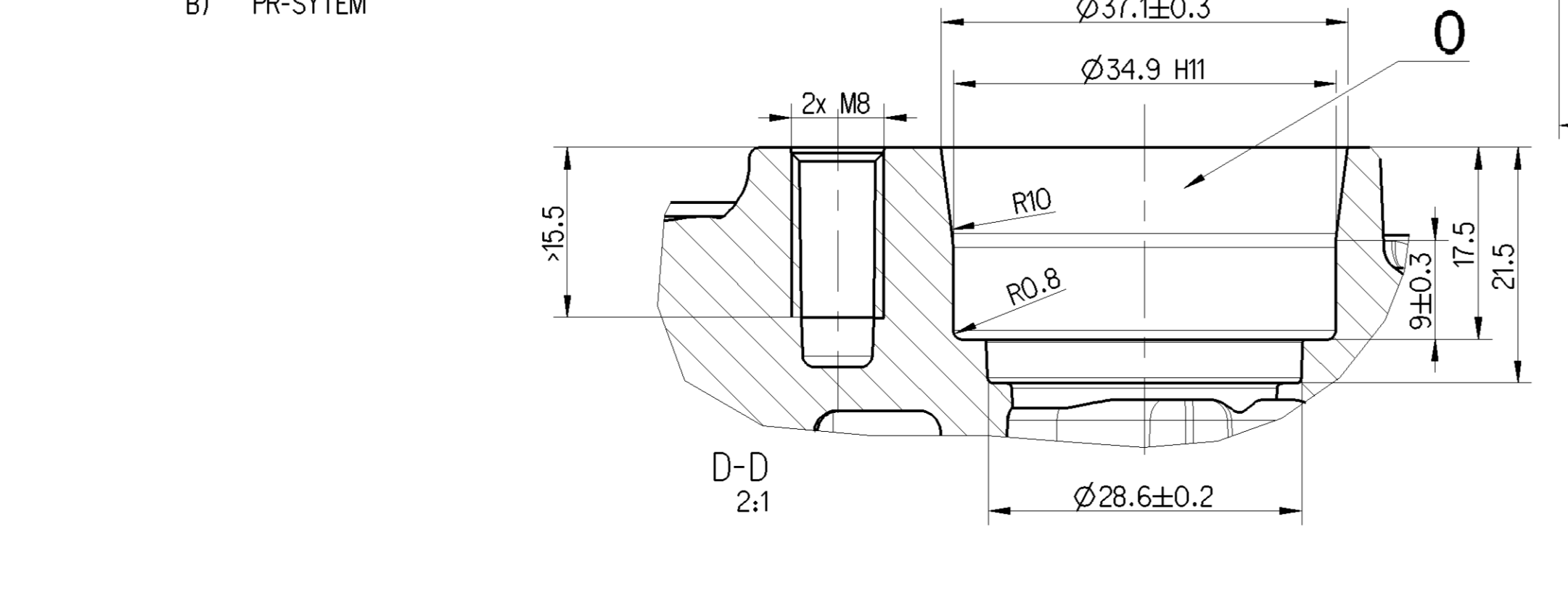
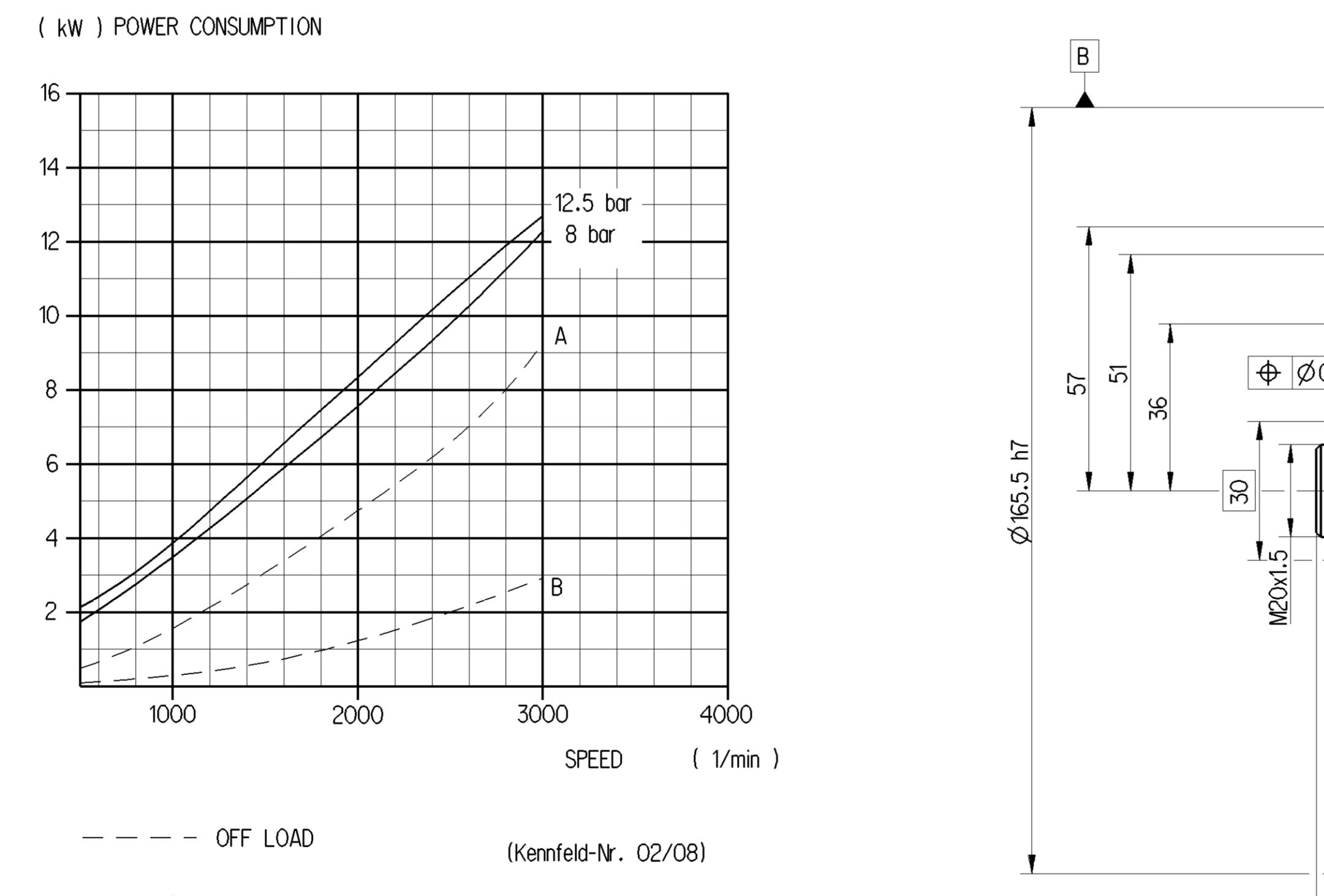
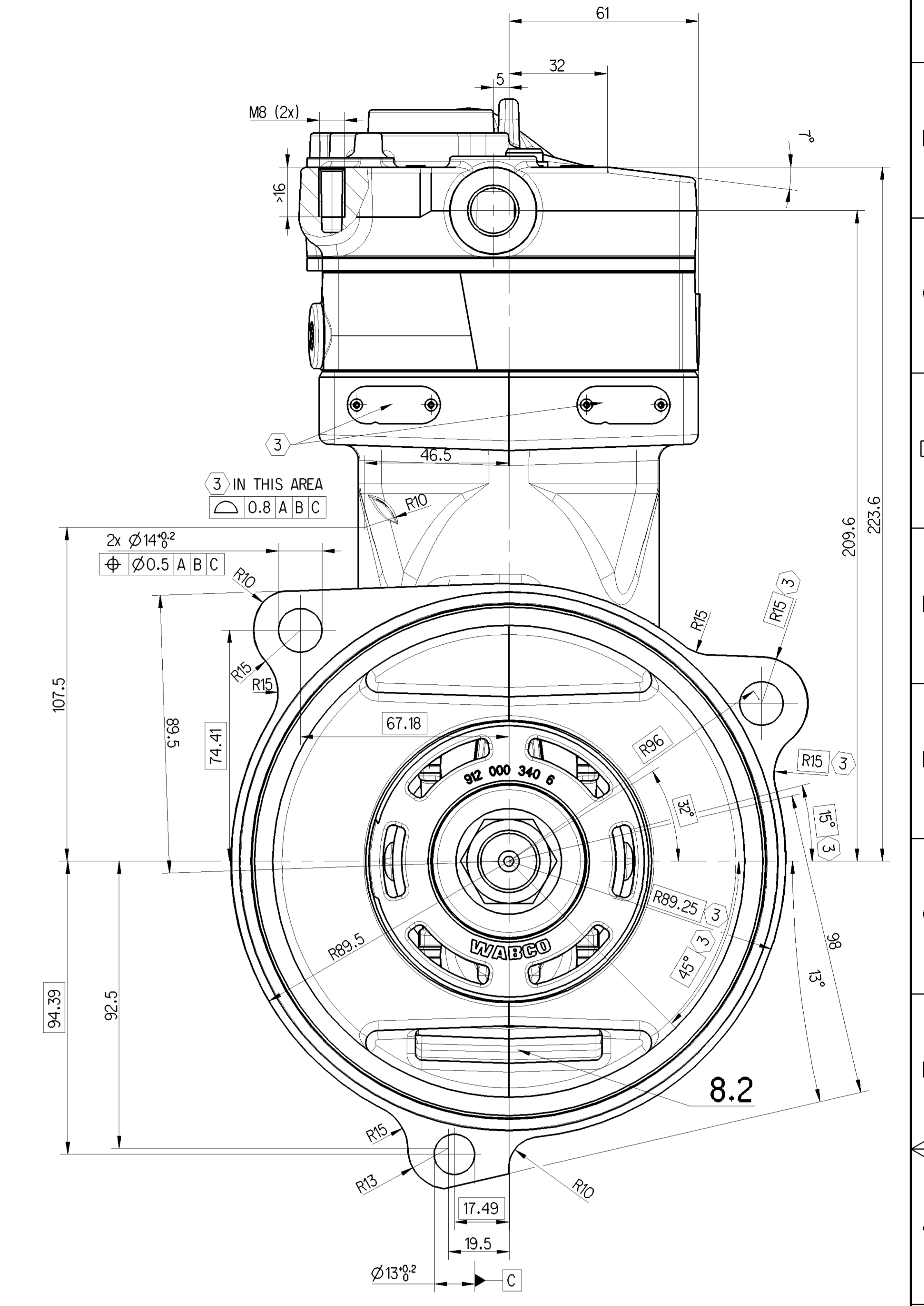
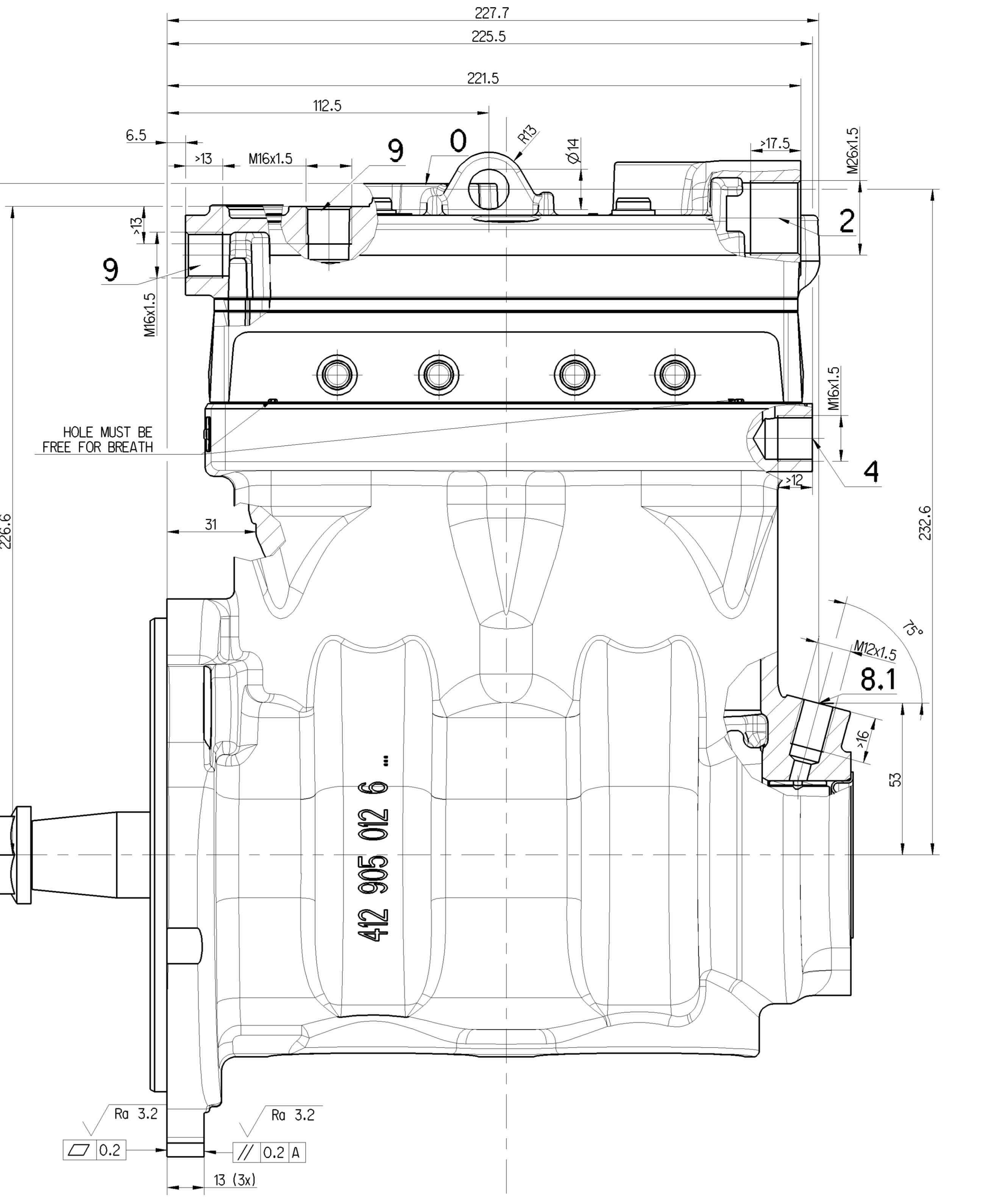
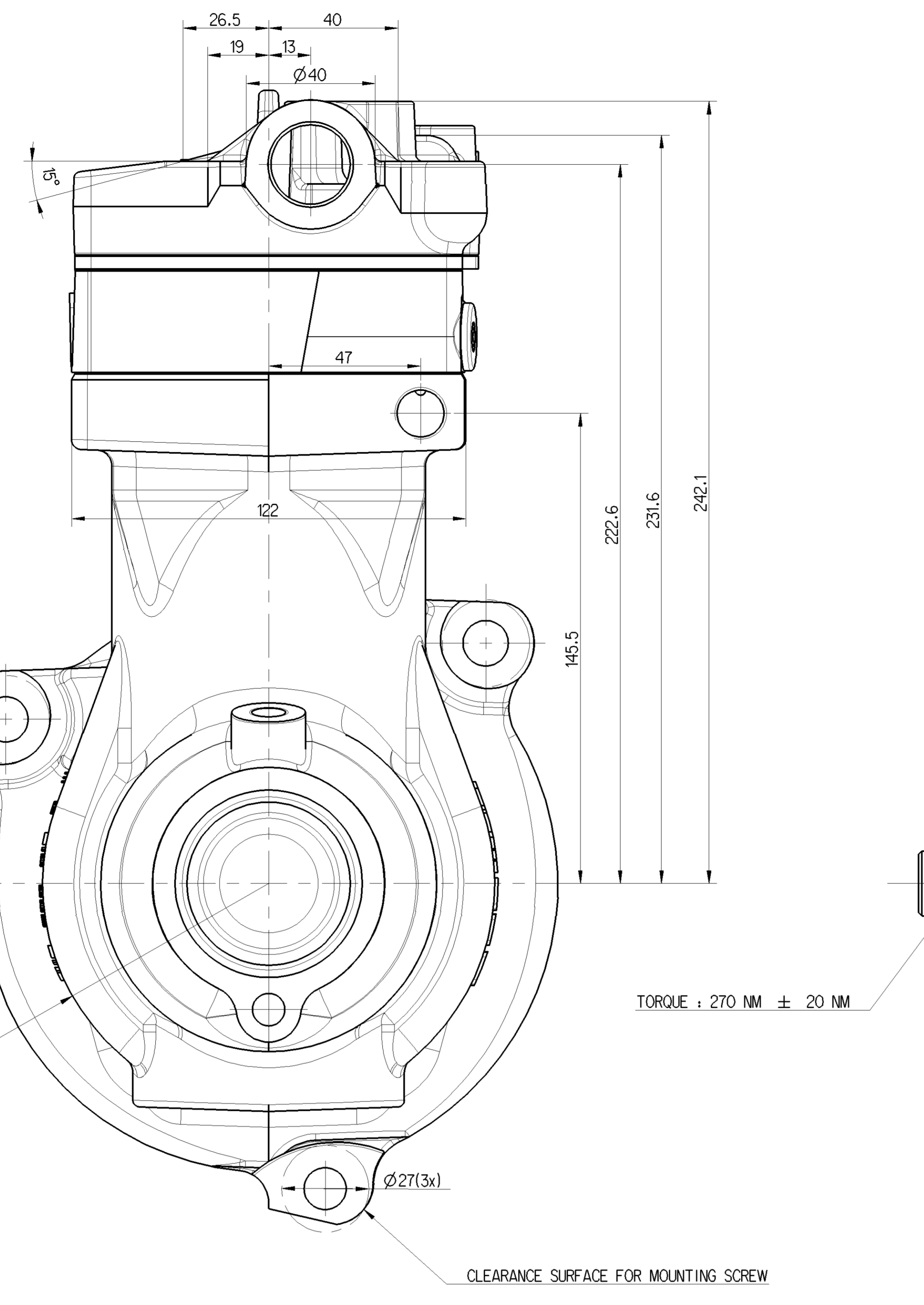
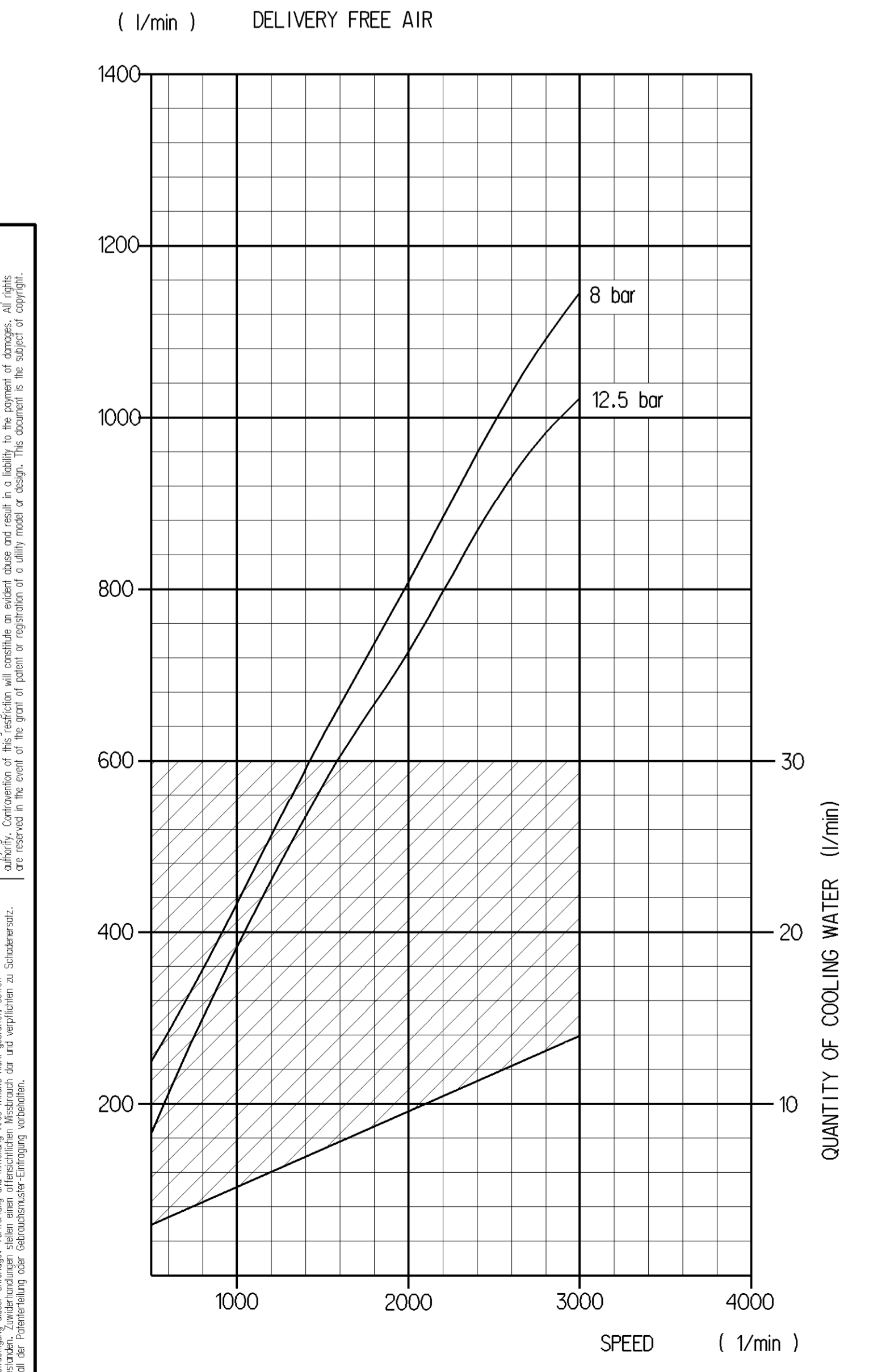
WORKING MEDIUM	AIR
COOLANT	WATER WITH ANTIFREEZE
BORE	∅ 85 mm
STROKE	62 mm
SWEPT VOLUME	704 cm <sup>3</sup>
MAX. WORKING SPEED	n <sub>max</sub> = 3000 min <sup>-1</sup>
OVERSPEED (MAX. 4 SEC.)	n <sub>ue</sub> = 1.3 x n <sub>max</sub>
MAX. WORKING PRESSURE	14 bar ①
TOP PRESSURE (MAX. 4 SEC)	16 bar ①
LUBRICATION SUPPLIED FROM ENGINE	
PAINTED BLACK ON NOT MACHINED CAST IRON SURFACES	
FREE FROM ASBESTOS	

① MEASURE AT DISCHARGE PORT

MAX. PERMISSIBLE TILT DURING CONTINUOUS WORKING



0	SUCTION PORT	
2	DISCHARGE PORT	M ≤ 67 Nm ②
4	GOVERNOR PORT	M ≤ 48 Nm ②
8.1	OIL SUPPLY	M ≤ 30 Nm ②
8.2	OIL DRAIN	
9.1	COOLANT CONNECTION	
9.2	COOLANT CONNECTION	M ≤ 34 Nm ②



General Specifications: 412 704 027 A, 1 to 7, 2016-11-09, Trojako, Skodason, WABCO TWIN-CYLINDER COMPRESSOR. Includes a table of dimensions and a technical drawing of a piston with dimensions: 173.5±0.2, 165.94±0.4, 30°, 5.8±0.3, 2.3°±1', R0.3, 1.5, X, 2:1.

② ACCORDING TO JED-366  
+ COMPRESSOR WITH OPTIMIZED PISTON  
③ CUSTOMER'S LABEL