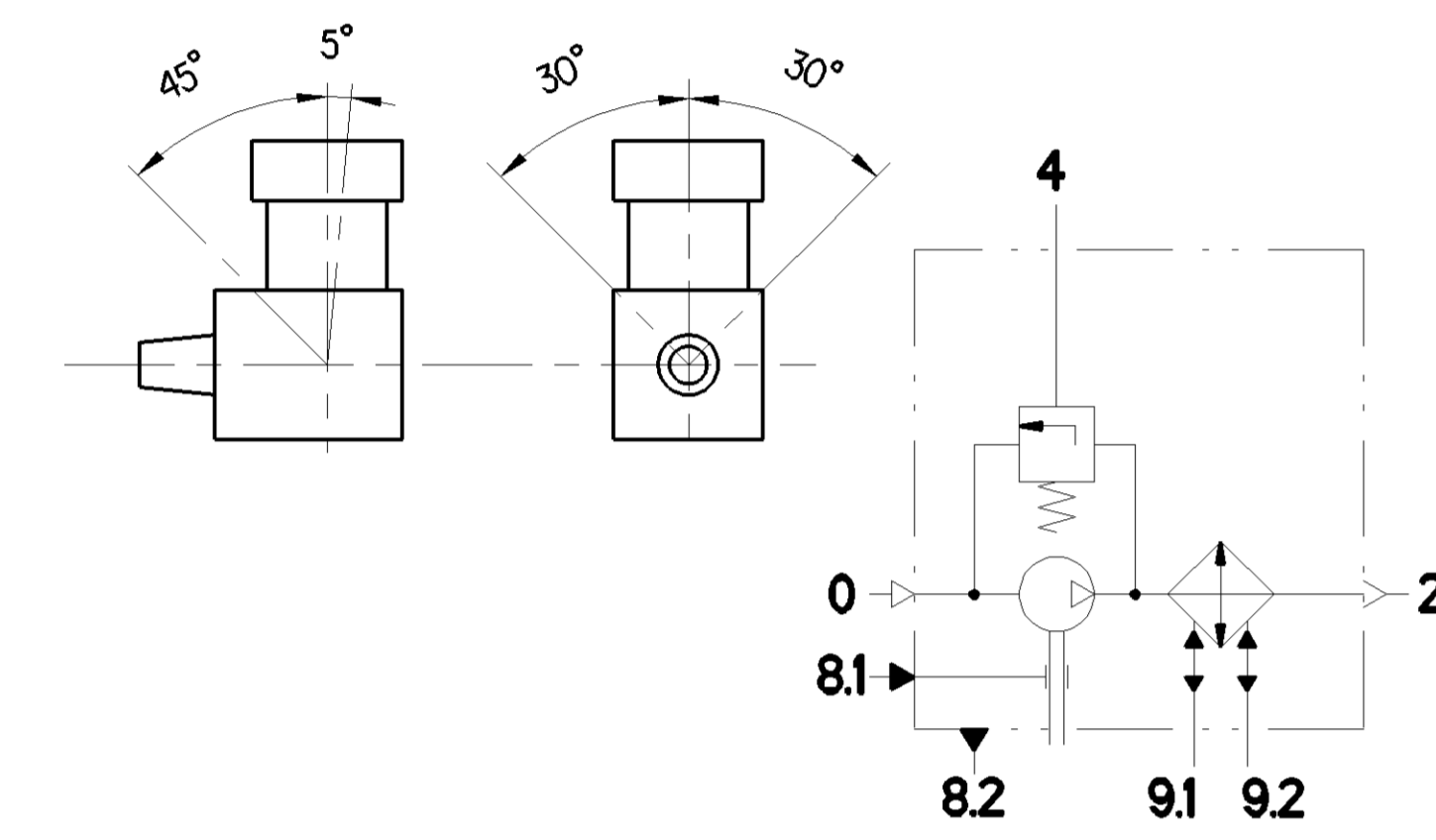
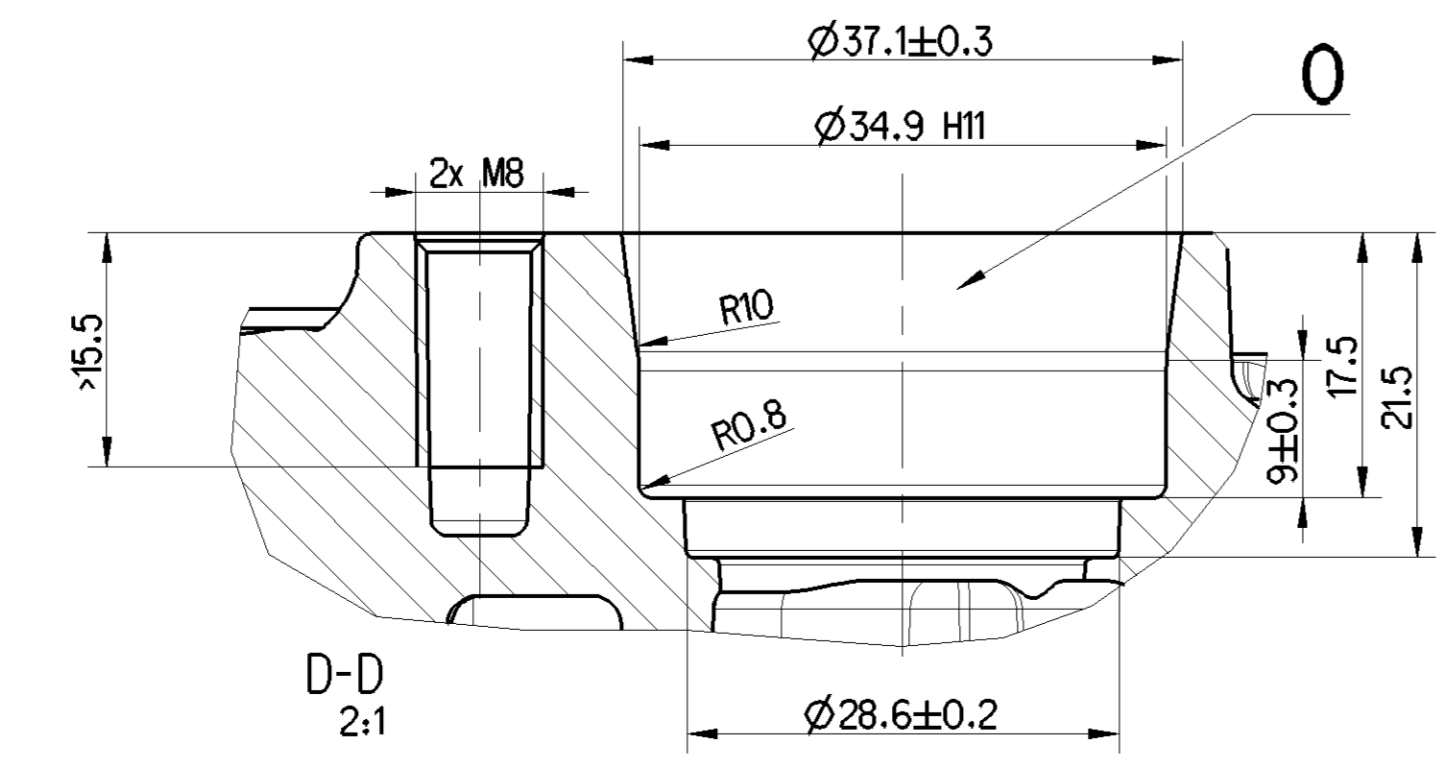
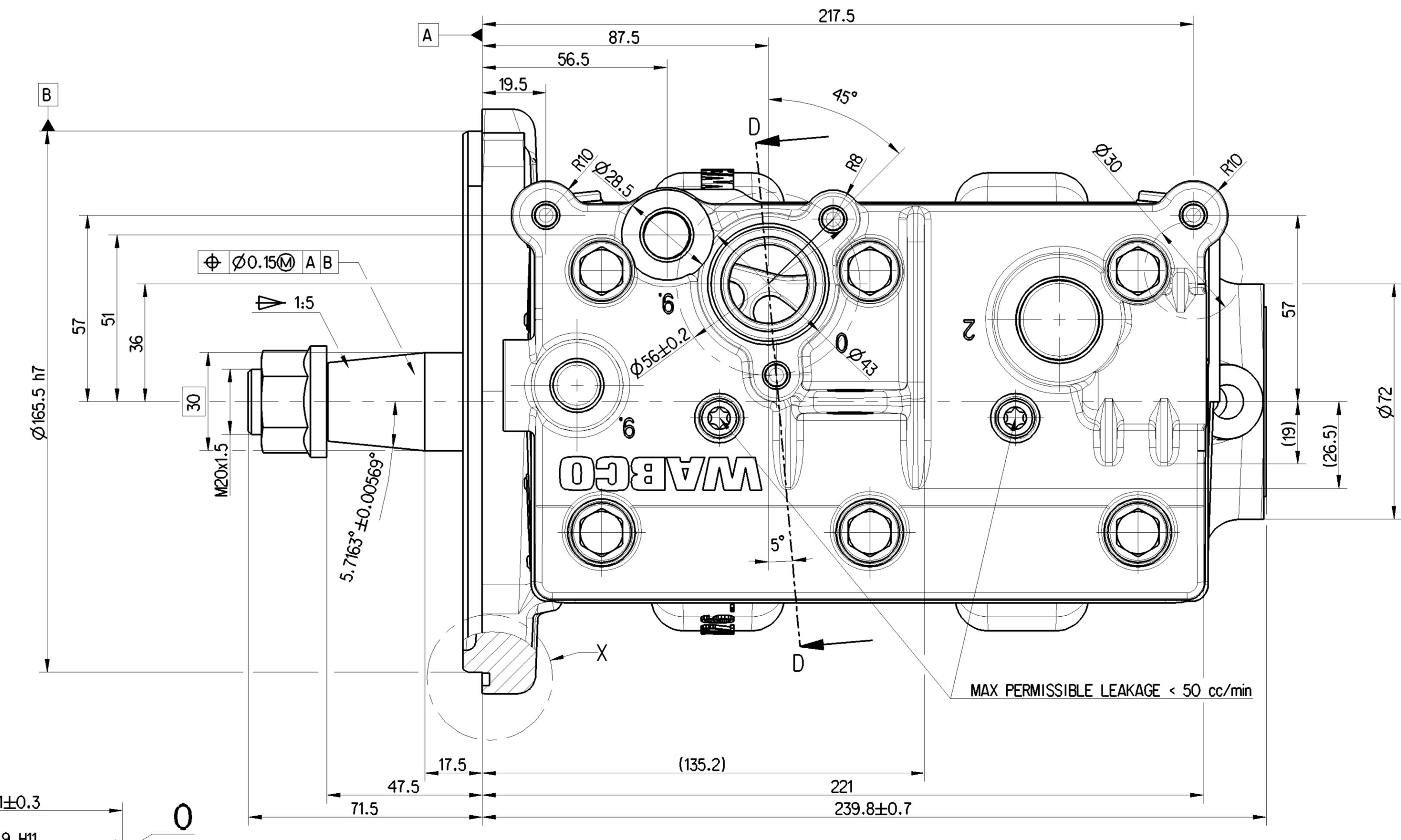
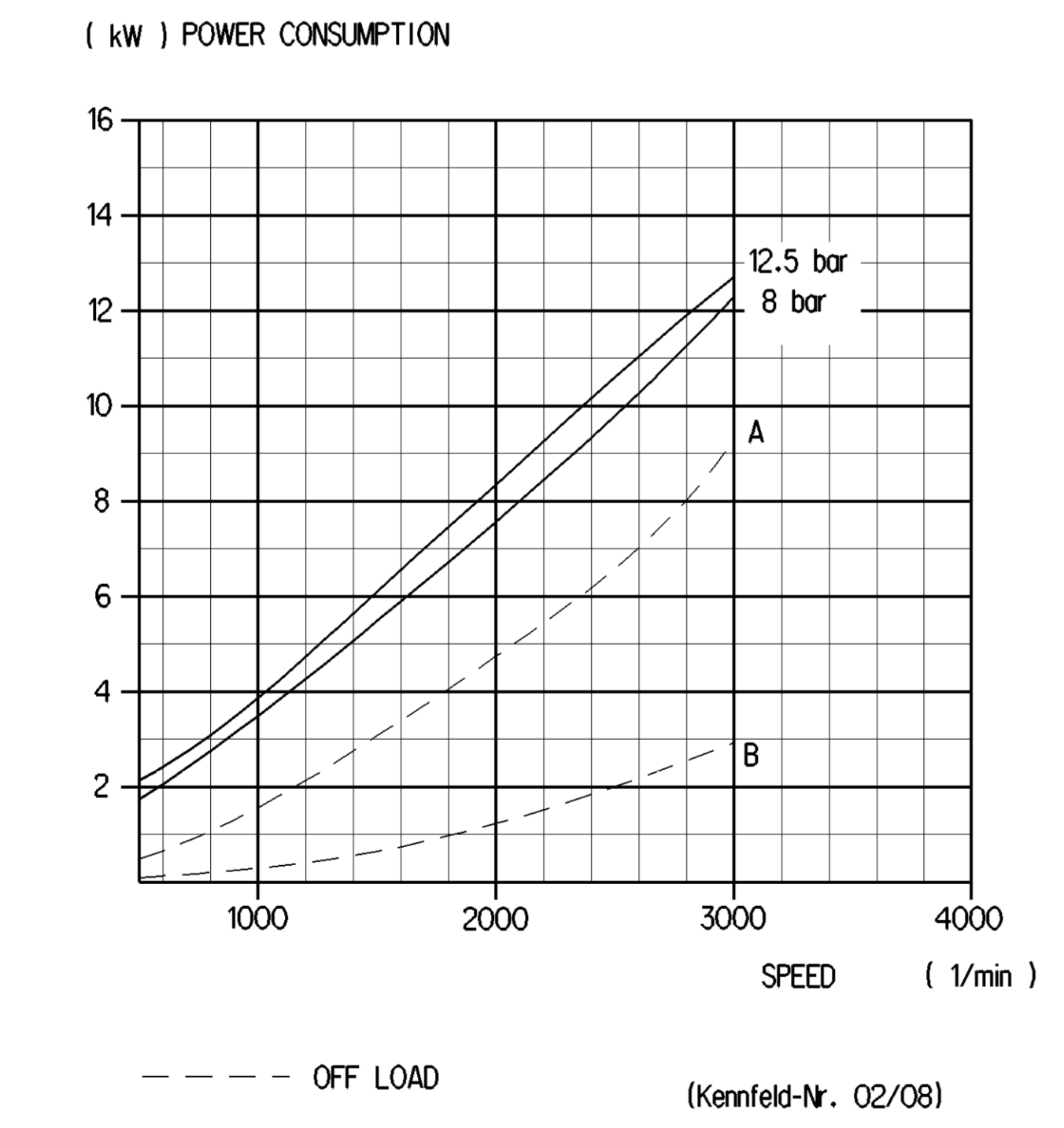
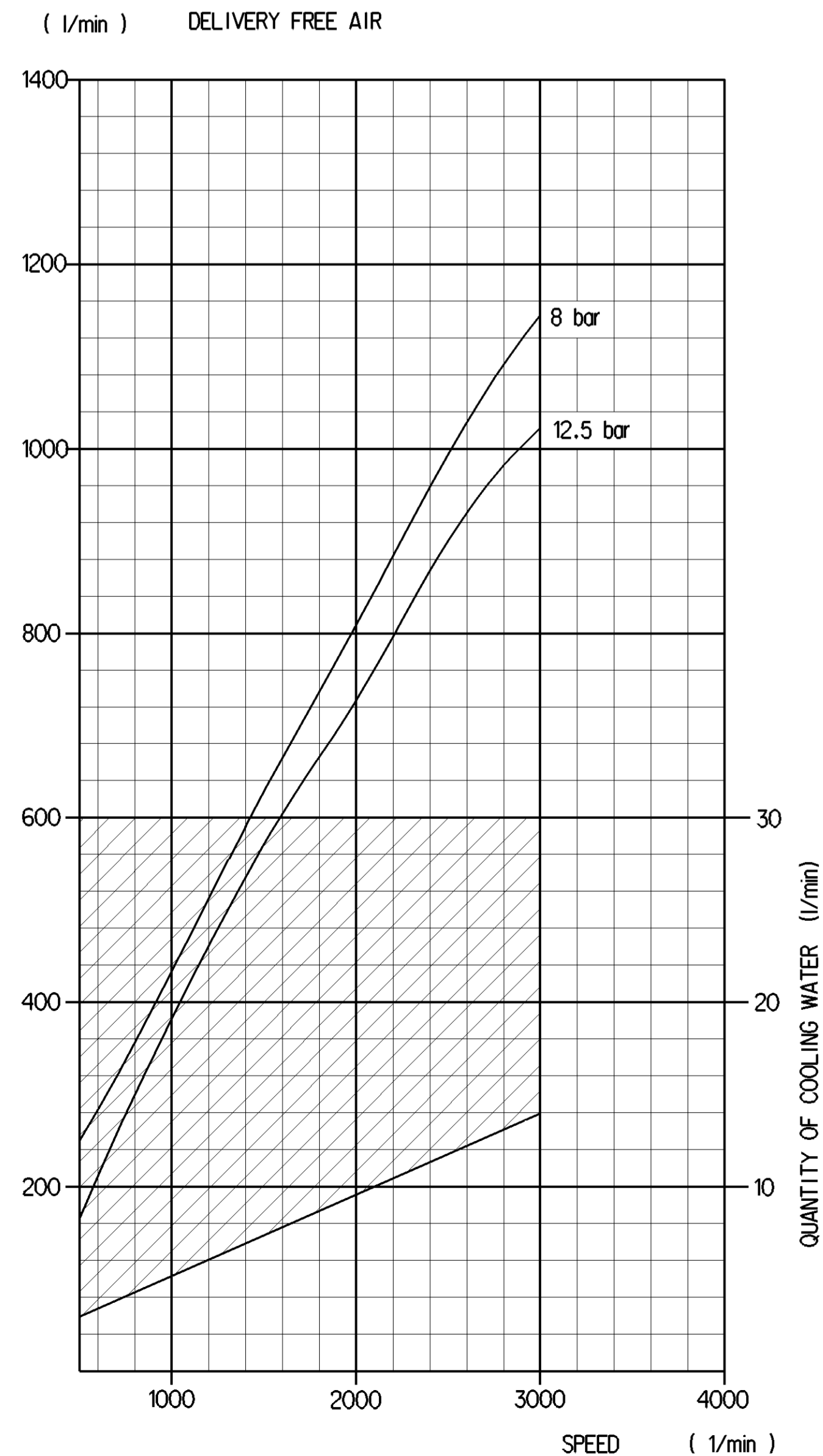
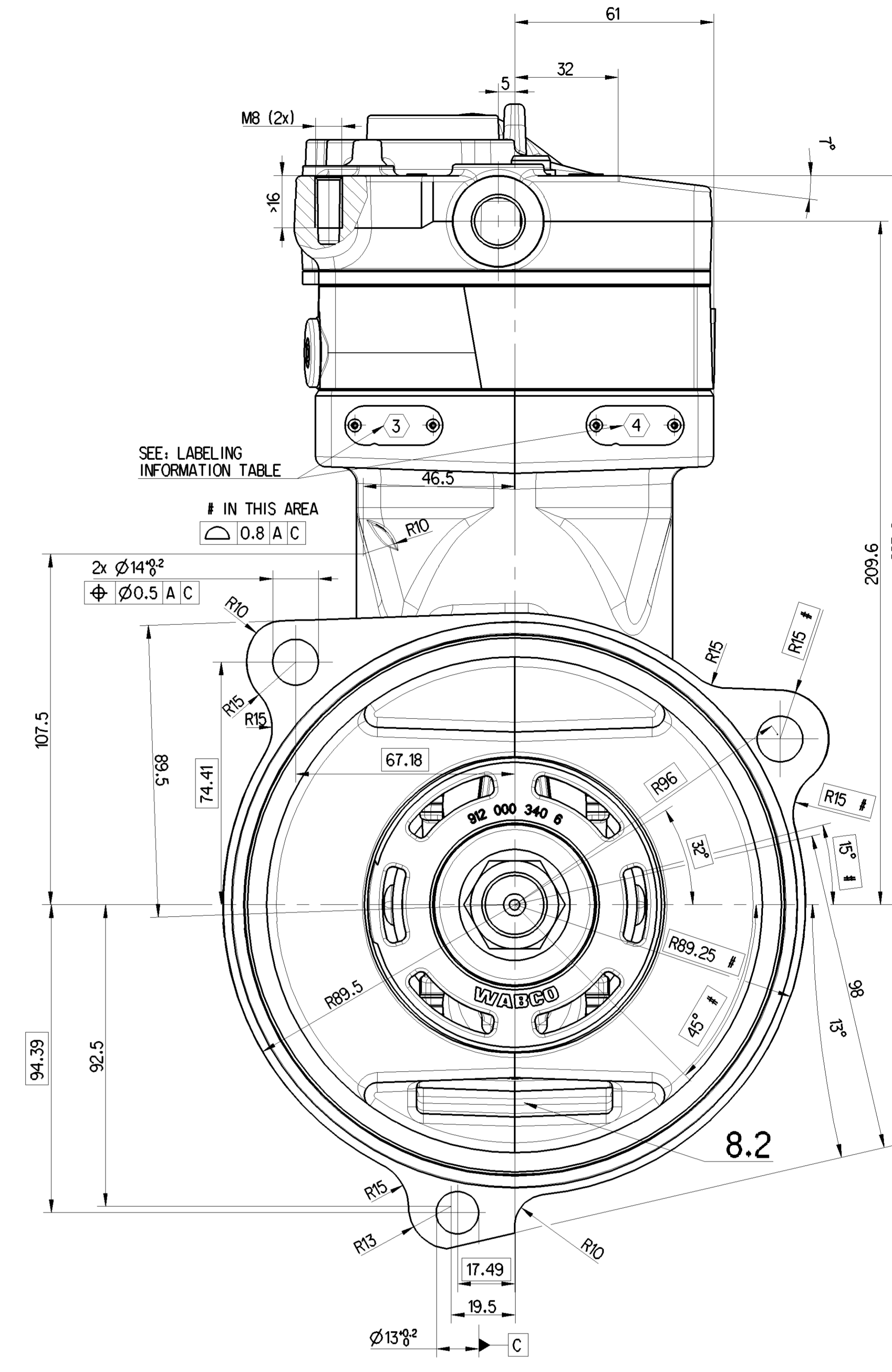
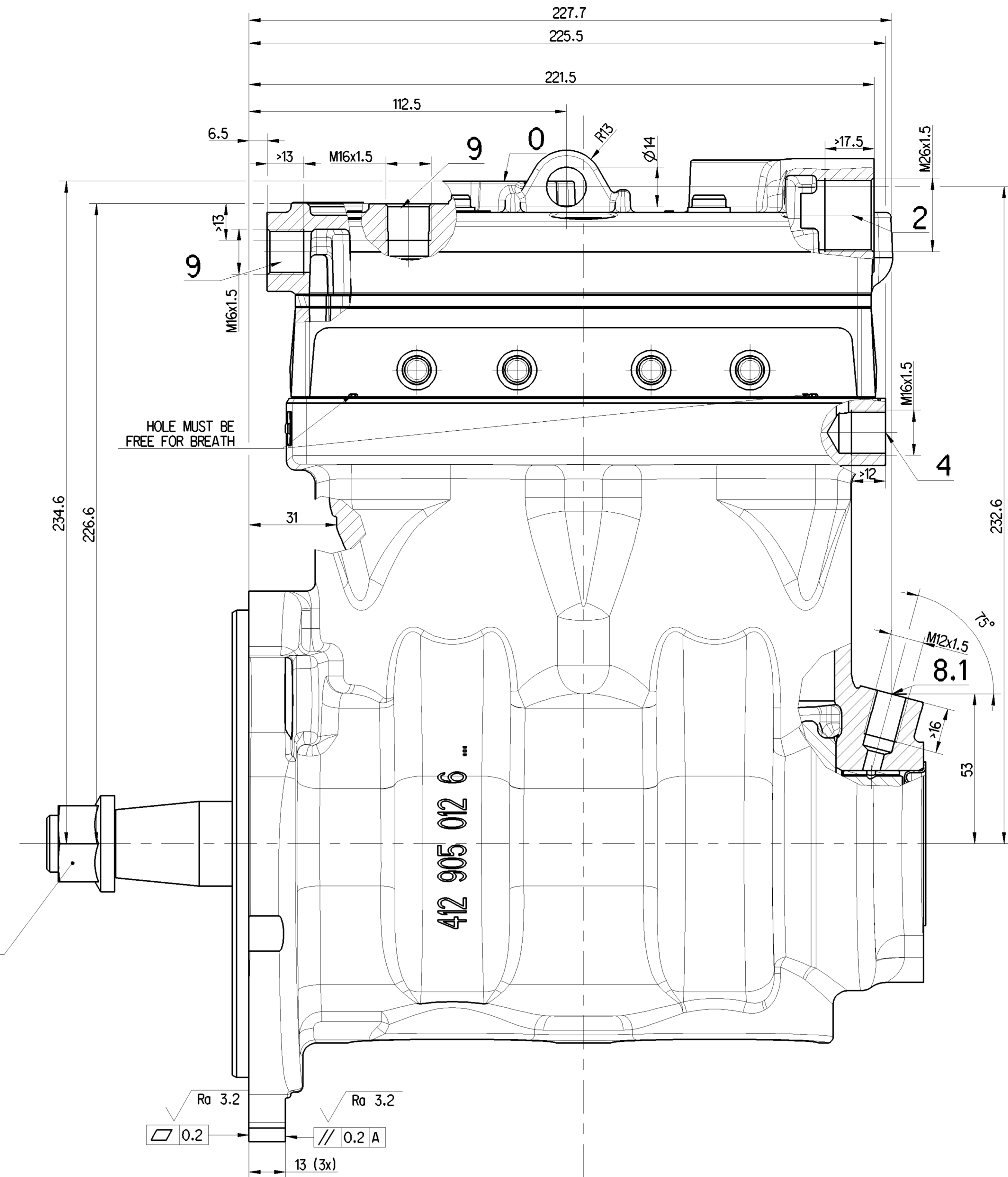
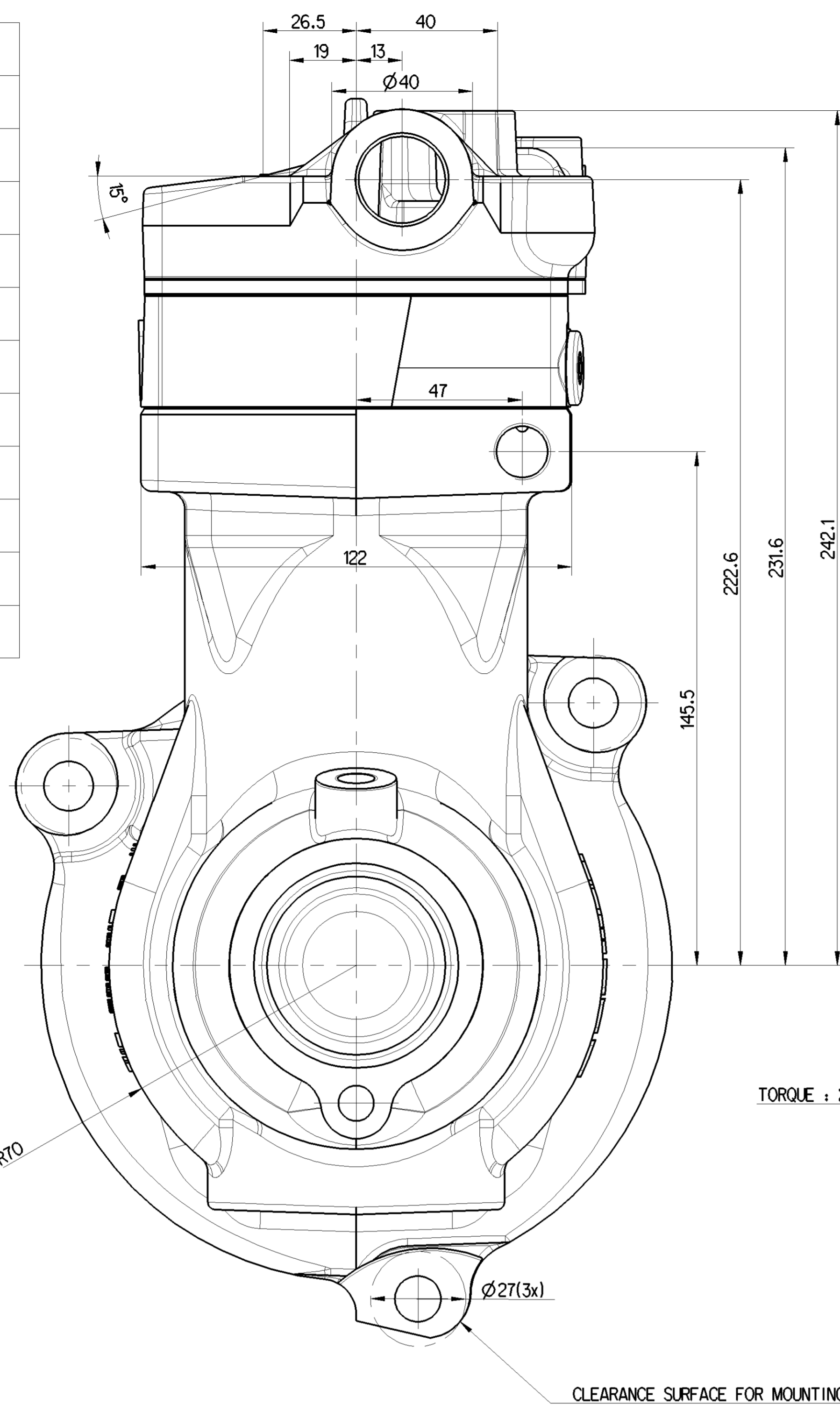


WORKING MEDIUM	AIR
COOLANT	WATER WITH ANTIFREEZE
BORE	∅ 85 mm
STROKE	62 mm
SWEPT VOLUME	704 cm ³
MAX. WORKING SPEED	n _{max} = 3000 min ⁻¹
OVERSPEED (MAX. 4 SEC.)	n _{ue} = 1.3 x n _{max}
MAX. WORKING PRESSURE	14 bar ①
TOP PRESSURE (MAX. 4 SEC.)	16 bar ①
LUBRICATION SUPPLIED FROM ENGINE	
PAINTED BLACK ON NOT MACHINED CAST IRON SURFACES	
FREE FROM ASBESTOS	

① MEASURE AT DISCHARGE PORT
MAX. PERMISSIBLE TILT DURING CONTINUOUS WORKING



0	SUCTION PORT	
2	DISCHARGE PORT	M ≤ 67 Nm ②
4	GOVERNOR PORT	M ≤ 48 Nm ②
8.1	OIL SUPPLY	M ≤ 30 Nm ②
8.2	OIL DRAIN	
9.1	COOLANT CONNECTION	M ≤ 34 Nm ②
9.2		



• ALSO VALID FOR PRI: 037, 003

PRODUCTION SITE	LABEL	LABEL ID NUMBER	LABEL LAYOUT
PRI 048 **	③	899 052 930 4 (NOT APPLICABLE FOR 1AM)	PARMA CODE: STANOWICZ (POLAND): 45295 VOLVO NUMBER: 85013941
	④	899 050 145 4	PRODUCTION DATE WABCO ID NUMBER

General Specifications: 412-134-1, Size 154/105 LP		Copyright WABCO®		WABCO	
Further Technical Data: 412 704 027 R		Date: 2019-03-11		TWIN-CYLINDER COMPRESSOR	
Doc. Code: 0291	Scale: 1 To 1	2019-03-11		006 EN 1/1	
Range of Nominal Dimensions (a mm)		2019-03-11		Replacement for	
Class	1 50	2 80	3 180	4 300	5 400
Flow	1.0	1.5	2.0	3.0	4.0
Medium	X	1.0	2.0	3.0	4.0
Course	2.0	3.5	5.0	6.5	±3°
Tapped holes acc. JED-152		20174		412 704 027 R	
Tapped holes acc. JED-152		A 0		B	