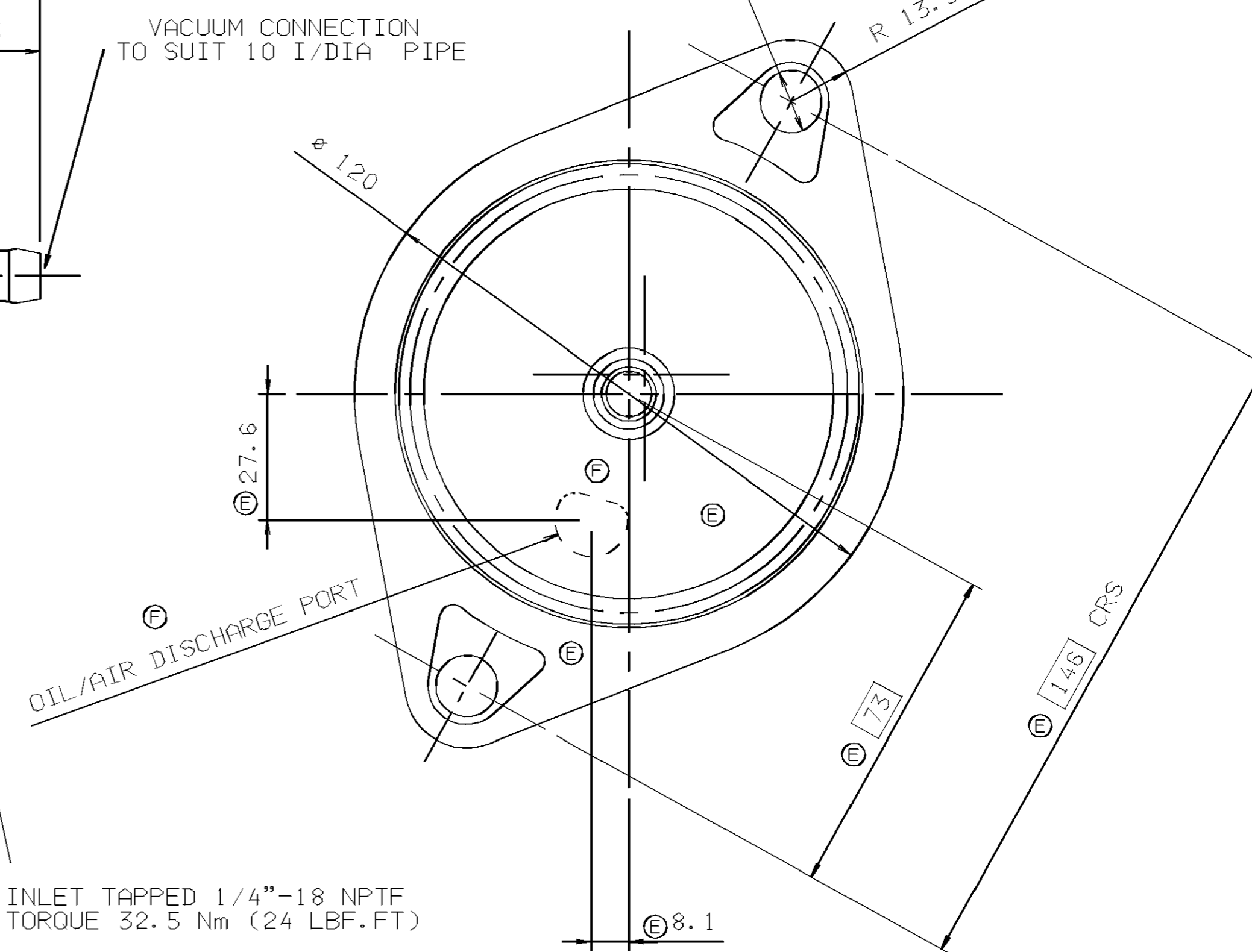
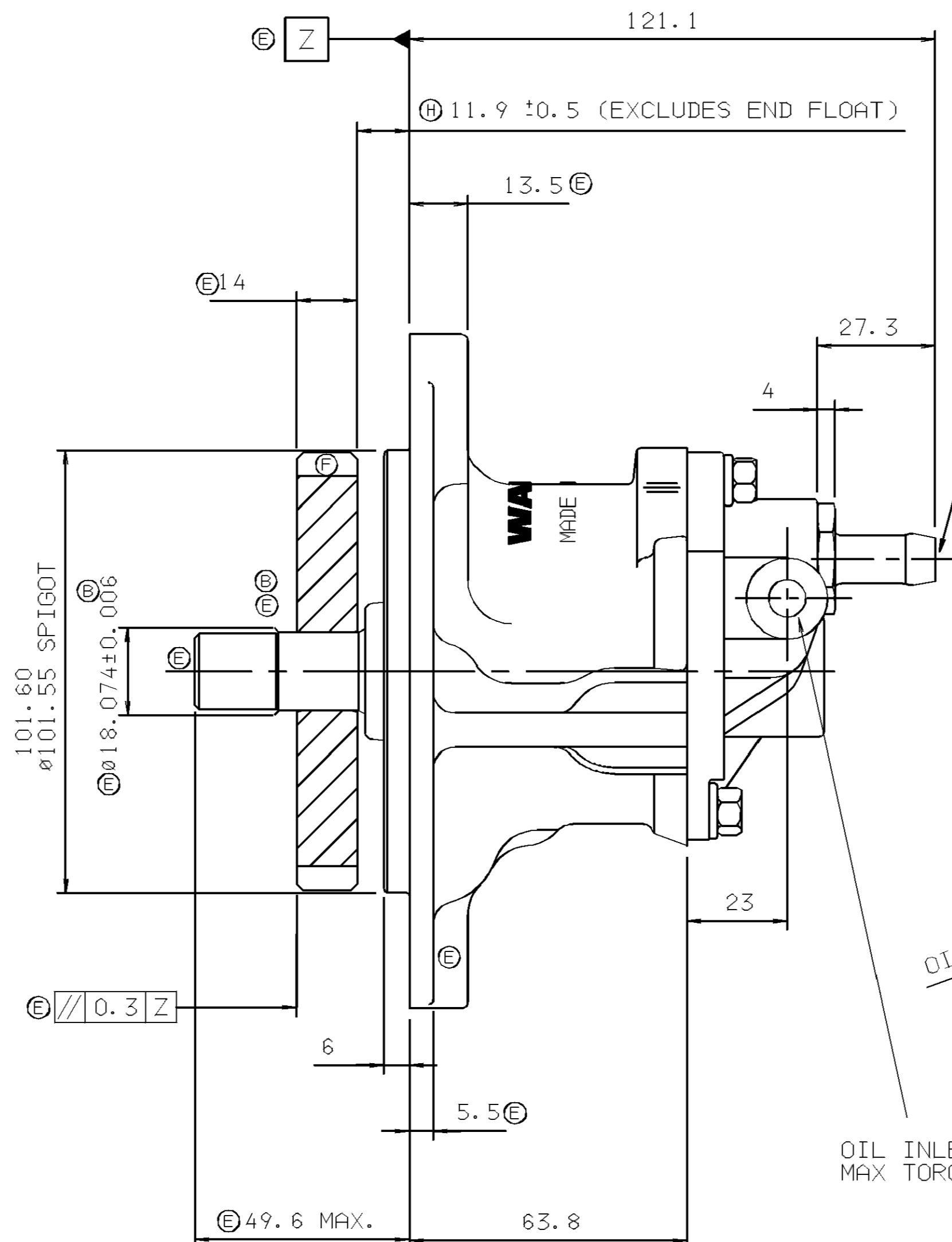
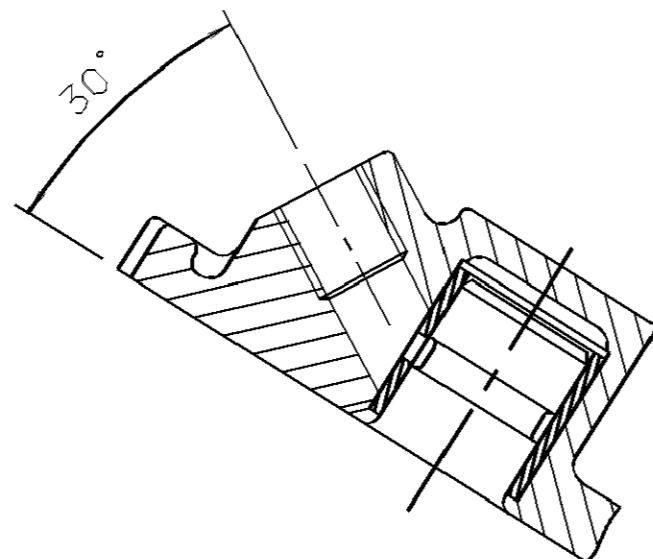
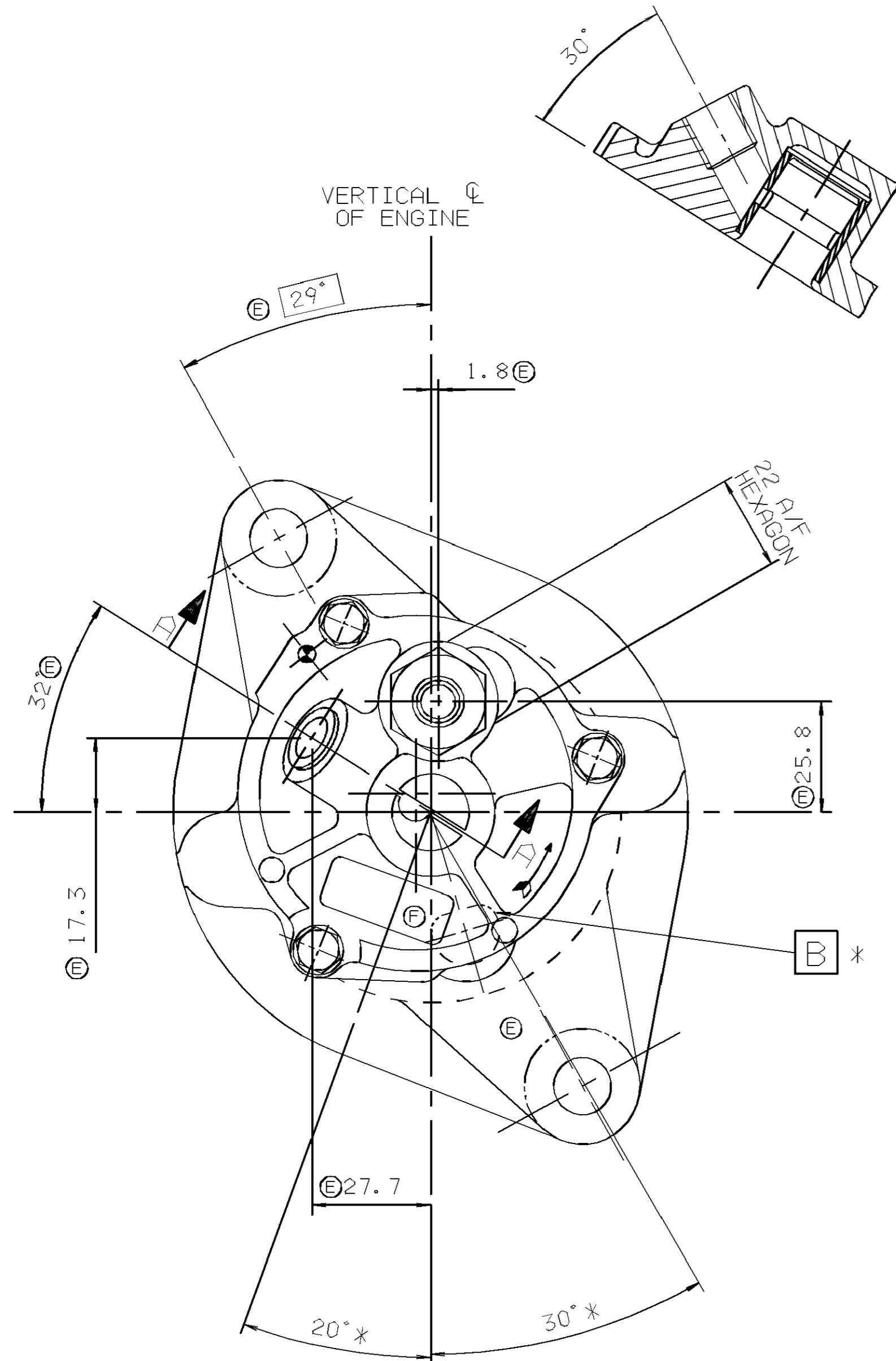


NOTE: CONSTRUCTION OF THIS DOCUMENT IS THE PROPERTY OF WIPAC S.p.A. AND IS NOT TO BE REPRODUCED OR TRANSMITTED IN ANY FORM OR BY ANY MEANS, ELECTRONIC OR MECHANICAL, INCLUDING PHOTOCOPYING, RECORDING, OR BY ANY INFORMATION STORAGE AND RETRIEVAL SYSTEM. ALL RIGHTS ARE RESERVED. IT IS THE USER'S RESPONSIBILITY TO OBTAIN NECESSARY PERMISSIONS FROM WIPAC S.p.A. BEFORE REPRODUCING OR TRANSMITTING THIS DOCUMENT. THE USER ASSUMES ALL LIABILITY FOR ANY DAMAGE OR INJURY RESULTING FROM THE USE OF THIS DOCUMENT. THIS DOCUMENT IS THE PROPERTY OF WIPAC S.p.A. AND IS NOT TO BE REPRODUCED OR TRANSMITTED IN ANY FORM OR BY ANY MEANS, ELECTRONIC OR MECHANICAL, INCLUDING PHOTOCOPYING, RECORDING, OR BY ANY INFORMATION STORAGE AND RETRIEVAL SYSTEM. ALL RIGHTS ARE RESERVED. IT IS THE USER'S RESPONSIBILITY TO OBTAIN NECESSARY PERMISSIONS FROM WIPAC S.p.A. BEFORE REPRODUCING OR TRANSMITTING THIS DOCUMENT. THE USER ASSUMES ALL LIABILITY FOR ANY DAMAGE OR INJURY RESULTING FROM THE USE OF THIS DOCUMENT.

PART SECTION A-A

FIRST ANGLE PROJECTION



INSTALLATION NOTE:-
 CL OF OIL/AIR DISCHARGE [B] SHOULD LIE BETWEEN ANGULAR LIMITS MARKED THUS * WHEN INSTALLED IN THE RUNNING POSITION

ALL DIMENSIONS FOR REFERENCE ONLY

⊕ DRAWING RE-DRAWN ON CADAM AT REV E
 DIMENSIONS IN MILLIMETRES
 DRAWING PRODUCED ON CADAM
 MANUAL CHANGES PROHIBITED

FURTHER TECHNICAL DATA SEE				L	COPYRIGHT			
IDENTIFICATION No.:	6372	K		09/09/94	DATE		SIGNATURE	
CODE FOR DOCUMENT:	SHEET:	TO		23/09/87	DRAWN	F. WADE		
GENERAL TOLERANCES				CHECKED				
CLASS	RANGE OF NOMINAL DIMENSIONS (mm)				STANDARDISATION			
	I	II	III	IV				
	≤50	>50 ≤180	≤180 ≤400	>400	5824	2	12/07/95	01/10/87
	±0.3	±0.5	±0.7	±1.0	5673	7	27/03/95	02/10/87
					5513	30	15/12/94	H. J. L.
					2318	D	27/01/89	PRODUCT SPECIFICATION No
					2282	C	27/01/89	414 001 002 0
					1856	2	11/02/88	DOCUMENT CODE
					1664	A	28/10/87	605
						REV	DATE	SHEET
								1/1
								REPLACEMENT FOR

100 mm scale bar