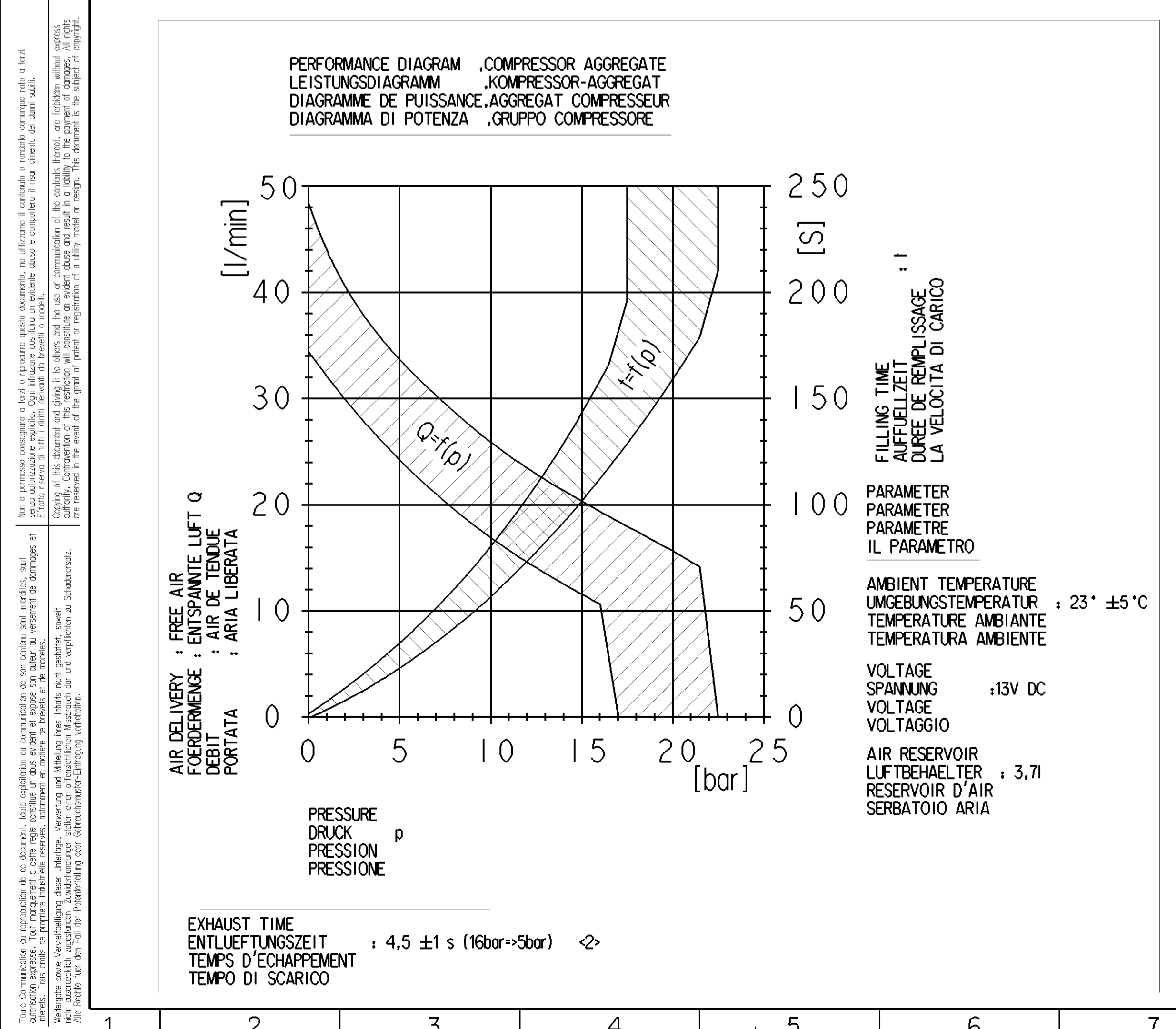
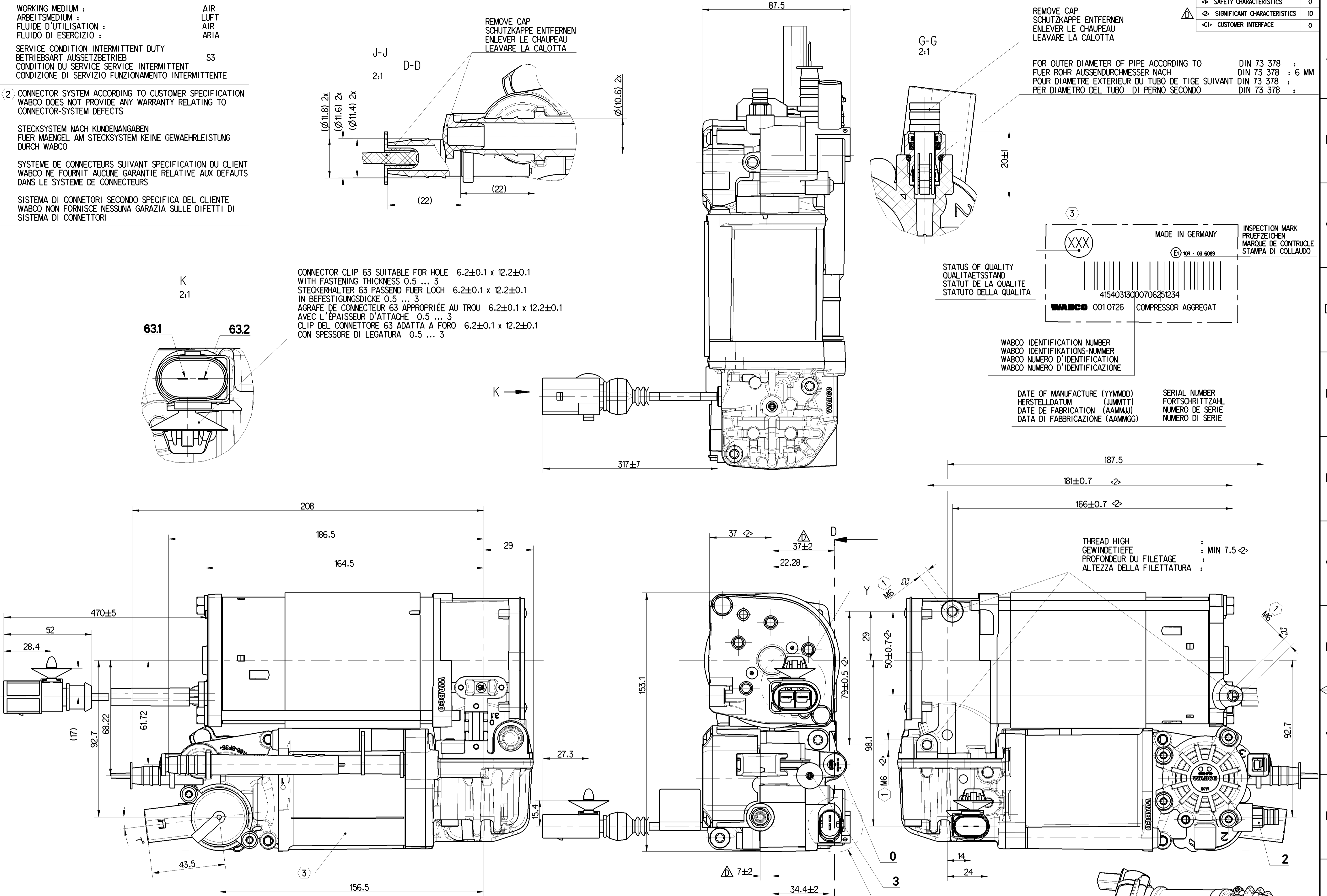
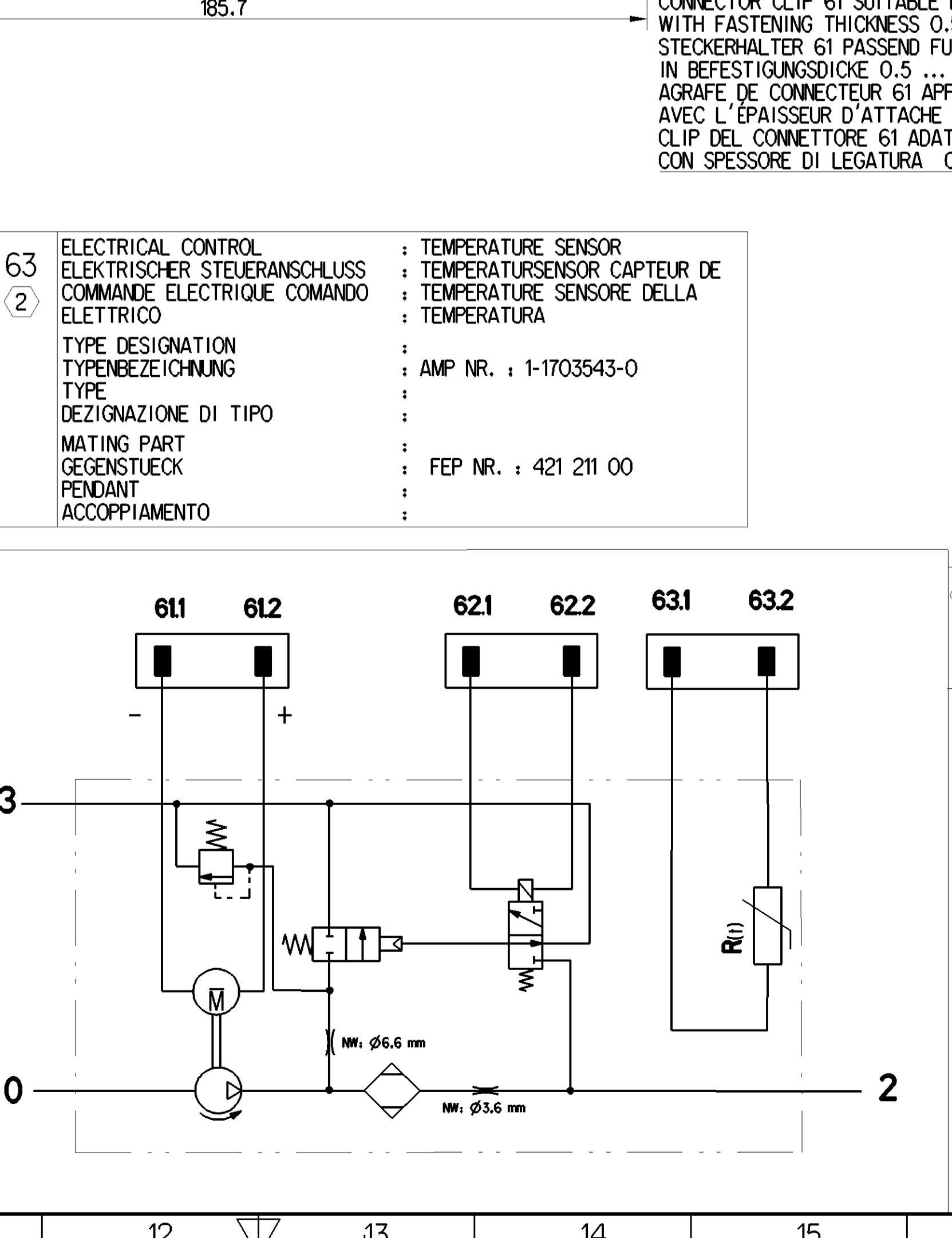
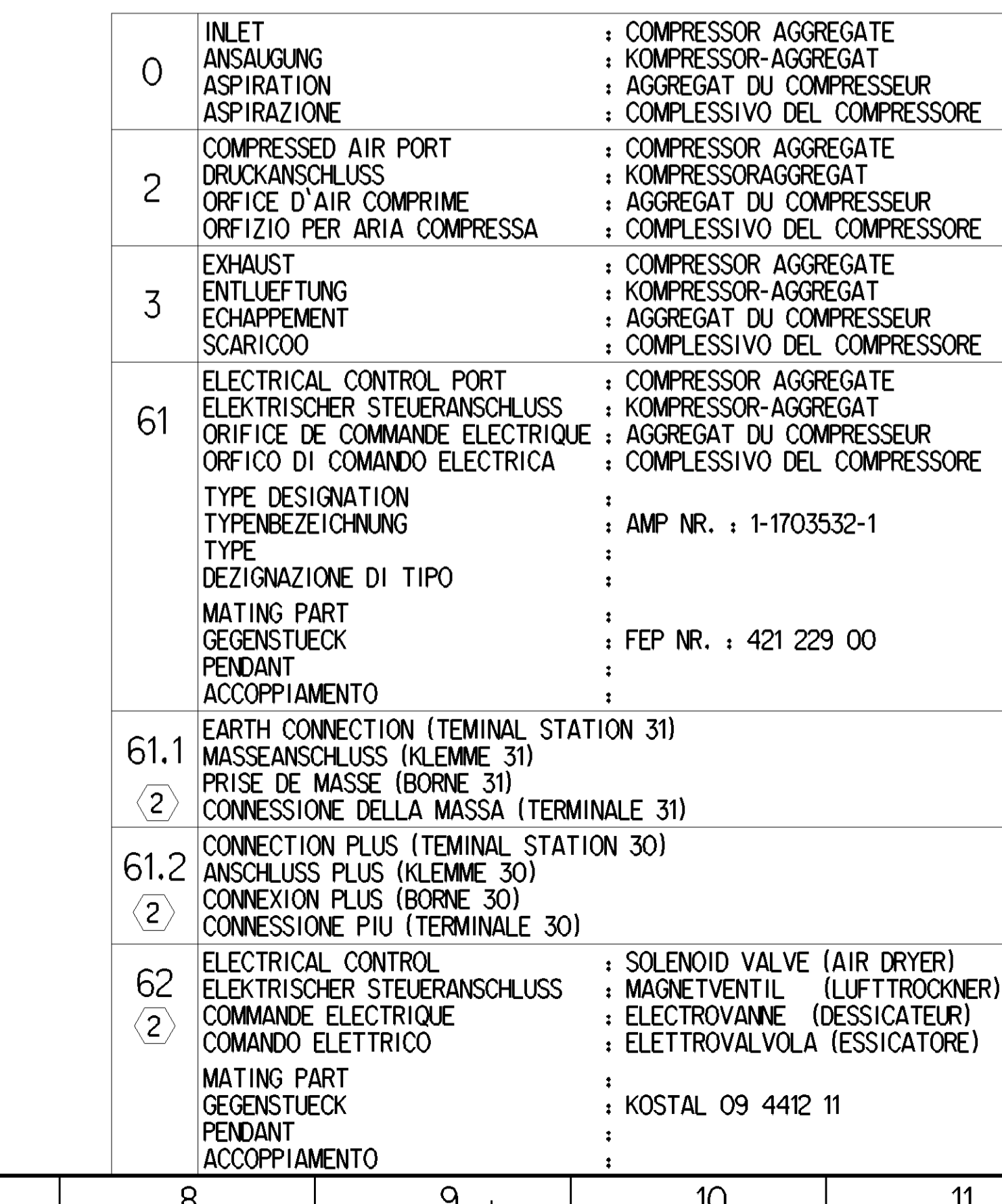


TECHNICAL DATA TECHNISCHE DATEN CARATTERISTICHE TECNICHE CARATTERISTICHE TECNICHE	COMPRESSOR KOMPRESSOR COMPRESSEUR COMPRESORE	SOLENOID VENTILMAGNET AIMANT ELETTROMAGNETE	TEMPERATURE SENSOR TEMPERATURSENSOR SONDE DE TEMPERATURE SONDE DI TEMPERATURA	WORKING MEDIUM : ARBEITSMEDIUM : FLUIDE D'UTILISATION : FLUIDO DI ESERCIZIO :	AIR LUFT AIR ARIA
TYPE OF CURRENT STROMART NATURE DU COURANT NATURA DELLA CORRENTE	DIRECT CURRENT GLEICHSTROM COURANT CONTINU CORRENTE CONTINUA	DIRECT CURRENT GLEICHSTROM COURANT CONTINU CORRENTE CONTINUA	DIRECT CURRENT GLEICHSTROM COURANT CONTINU CORRENTE CONTINUA	SERVICE CONDITION INTERMITTENT DUTY BETRIEBSART AUSSETZBETRIEB CONDITION DU SERVICE SERVICE INTERMITTENT CONDIZIONE DI SERVIZIO FUNZIONAMENTO INTERMITTENTE	S3
OPERATING VOLTAGE BETRIEBSSPANNUNG : *U TENSIONE DI SERVICE TENSIONE DI SERVIZIO	9...16V	9...16V	$U_0 \pm 5 \pm 0.125 V$	② CONNECTOR SYSTEM ACCORDING TO CUSTOMER SPECIFICATION WABCO DOES NOT PROVIDE ANY WARRANTY RELATING TO CONNECTOR-SYSTEM DEFECTS	
NOMINAL VOLTAGE NENNSPANNUNG : U* TENSIONE NOMINALE TENSIONE NOMINALE	12V	12V	$U_N \pm 5 V$	STECKSYSTEM NACH KUNDENANFORDERUNGEN FUER MAGNET AM STECKSYSTEM KEINE GEWAHRLEISTUNG DURCH WABCO	
RATED CURRENT NENNSTROM : COURANT NOMINAL : CORRENTE NOMINALE:		$I_n = 0.75A$ $I_{res} \geq 390mA$ $I_p \leq 470mA$ PEAK AND HOLD	----	SYSTEME DE CONNECTEURS SUIVANT SPECIFICATION DU CLIENT WABCO NE FOURNIT AUCUNE GARANTIE RELATIVE AUX DEFAUTS DANS LE SYSTEME DE CONNECTEURS	
MAXIMAL CURRENT INTENSITY MAXIMALE STROMSTAERKE : INTENSITE MAXIMAL DU COURANT INTENSITA MASSIMA DELLA CORRENTE	(U=13V; I=23±5°C; p=13.2bar)	35A	0.8A	SISTEMA DI CONNETTORI SECONDO SPECIFICA DEL CLIENTE WABCO NON FORNISCE NESSUNA GARANZIA SULLE DIFETTI DI SISTEMA DI CONNETTORI	
DEGREE OF PROTECTION ACCORDING TO ISO 20653 SCHUTZART NACH ISO 20653 DEGRE DE PROTECTION SUIVANT ISO 20653 GRADO DI PROTEZIONE SECONDO ISO 20653	IP6K7 IP6K7K	IP6K7 IP6K7K	IP6K7		
DUTY CYCLE EINSCHALTDAUER : (U=13V) p ≠ 10 bar DUREE DE FONCTIONNEMENT CICLO DI LAVORO	15% ED / 10min (I ± 23°C) 8% ED / 10min (I ± 55°C)	33.3% ED / 5min (I ± -40...+80°C)	100% ED (I ± -40...+100°C) PEAK AND HOLD		
WITHOUT ENCAPSULATION OHNE KAPSELUNG SANS EMBALLAGE SENZA IMBALLAGGIO	6% ED / 10min (I ± 80°C) 3% ED / 10min (I ± 100°C)				
DYNAMIC PRESSURE LIMITING DYNAMISCHE DRUCKBEGRENZUNG : p LIMITATION DE PRESSION DYNAMIQUE LIMITAZIONE DI PRESSIONE DINAMICO	17.0 ±0.5 bar (I ± 23±5°C)	----	----		
RESIDUAL PRESSURE RUECKHALTDRUCK : p PRESSION DE RETENUE PRESSIONE DI RITENUTA	0.9 ±0.5 BAR (I ± 23±5°C)	----	----		
OPERATING PRESSURE BETRIEBSDRUCK : p PRESSION DE SERVICE PRESSIONE DI SERVIZIO	±15 BAR	----	----		
MAX. PERMISSIBLE PRESSURE IN CONNECTION 2 AT COMPRESSOR START-UP MAX. ZULAESSIGER DRUCK IN ANSCHLUSS 2 BEI KOMPRESSORANLAUF MAX. PRESSION ADMISSIBLE A RACCORDAMENTO 2 A COMPRESSOR MISE EN TRAIN MAX. PRESSIONE AMMISSIBILE EL COLLEGAMENTO 2 A COMPRESSORE START-UP	2.5 BAR	----	----		
MIN. OPERATION PRESSURE AT EXHAUST FUNCTION AT COMPRESSOR AIR PORT MIN ZULAESSIGER BETRIEBSDRUCK WAEREND ENTLUEFTUNG AM DRUCKANSCHLUSS PRESSION MINIMALE DE FONCTIONNEMENT A LA CONNECTION PNEUMATIQUE DU COMPRESSEUR	2.75 BAR	----	----		
OHMIC RESISTANCE OHMSCHER WIDERSTAND RESISTANCE OHM RESISTENZA OHM	----	0.48k Ω @ +120°C 1.084k Ω @ +90°C 12.65k Ω @ +20°C 264.93k Ω @ -40°C	----		
MEASURING RANGE MESSBEREICH ZONE DE MESURE CAMPO DI MISURA	----	----	-40°C +140°C		
THERMO COUPLE THERMOELEMENT COUPLE THERMOELECTRIQUE COPPIA TERMOELETTTRICA	----	NTC-THERMISTOR NTC-THERMISTOR NTC-THERMISTANCE NTC-TERMISTORE	----		
AMBIENT TEMPERATURE UMGEBUNGSTEMPERATUR : TEMPERATURE AMBIANTE TEMPERATURA AMBIENTE	-40°C...+100°C	-40°C...+100°C	-40°C...+100°C		
STORAGE TEMPERATURE LAGERTEMPERATUR : TEMPERATURE DE STOCKAGE TEMPERATURA DI IMMAGAZZINAMENTO	-40°C...+100°C	-40°C...+100°C	-40°C...+100°C		
SHORT TERM RESISTANCE TO HEAT KURZZEITLICHE WAERMEBESTAENDIGKEIT : RESISTANCE THERMIQUE TEMPORAIRE RESISTENZA TERMICA PER BREVE PERIODO	MAX. th +110°C (WITHOUT FUNCTION) (SANS FONCTION) (SENZA FUNZIONE)	MAX. th +110°C (WITHOUT FUNCTION) (SANS FONCTION) (SENZA FUNZIONE)	MAX. th +110°C (WITHOUT FUNCTION) (SANS FONCTION) (SENZA FUNZIONE)		
LUBRICATION COMPRESSOR: SCHMIERUNG KOMPRESSOR: GRAISSAGE COMPRESSEUR: LUBRIFICAZIONE COMPRESORE:	DRY RUNNING TROCKENLAUF FUNCTIONNEMENT A SEC FUZIONAMENTO A SECCO	----	----		



TEST GEMAß IEC 60068-2-11 SS BEI EINER DAUER VON 400 STUNDEN
TEST ACCORDING TO IEC 60068-2-11 SS WITH DURATION OF 400 HOURS
SELON IEC 60068-2-11 SS JUSQU'À UNE DURÉE DE 400 HEURES
IL COLLAUDO ADEGUATO IEC 60068-2-11 SS DURATA DI 400 DILAZIONARE



① FOR THE FIXATION ON THE CUSTOMER APPLICATION
ANSCHLUSSPUNKTE FUER KUNDENSPEZIFISCHE ANWENDUNG
TROUS TAROUDES POUR FIXATION SUR APPLICATION CLIENT
PER IL FIXAZIONE SULL'APPLICAZIONE DEL CLIENTE

INSTALLATION POSITION :
EINBAUUNG :
POSITION D'INSTALLATION :
POSIZIONE DI MONTAGGIO :

AUXILIARY DIMENSION
HILFSSMASS
DIMENSION AUXILIAIRE
DIMENSIONE AUSILIARIA

General Specifications ISO 8015, ISO 1101, ISO 14045
Further Technical Data
Doc. Code: 2023-02-20
Sheet: 1 of 1
Date: 2023-02-20
Author: J
Customer: WABCO
Product: COMPRESSOR AGGREGATE
AGREGAT DU COMPRESSEUR
AGREGAT DEL COMPRESORE
COMPRESSIVO DEL COMPRESORE

Class: 1
Material: 4.050
Surface: 1.1
Size: 10/16/21
Tapped Holes acc. to: 52033
Tolerance class: 4h/4h

415 403 130 0
005 ML 1/1
894 014 702 0