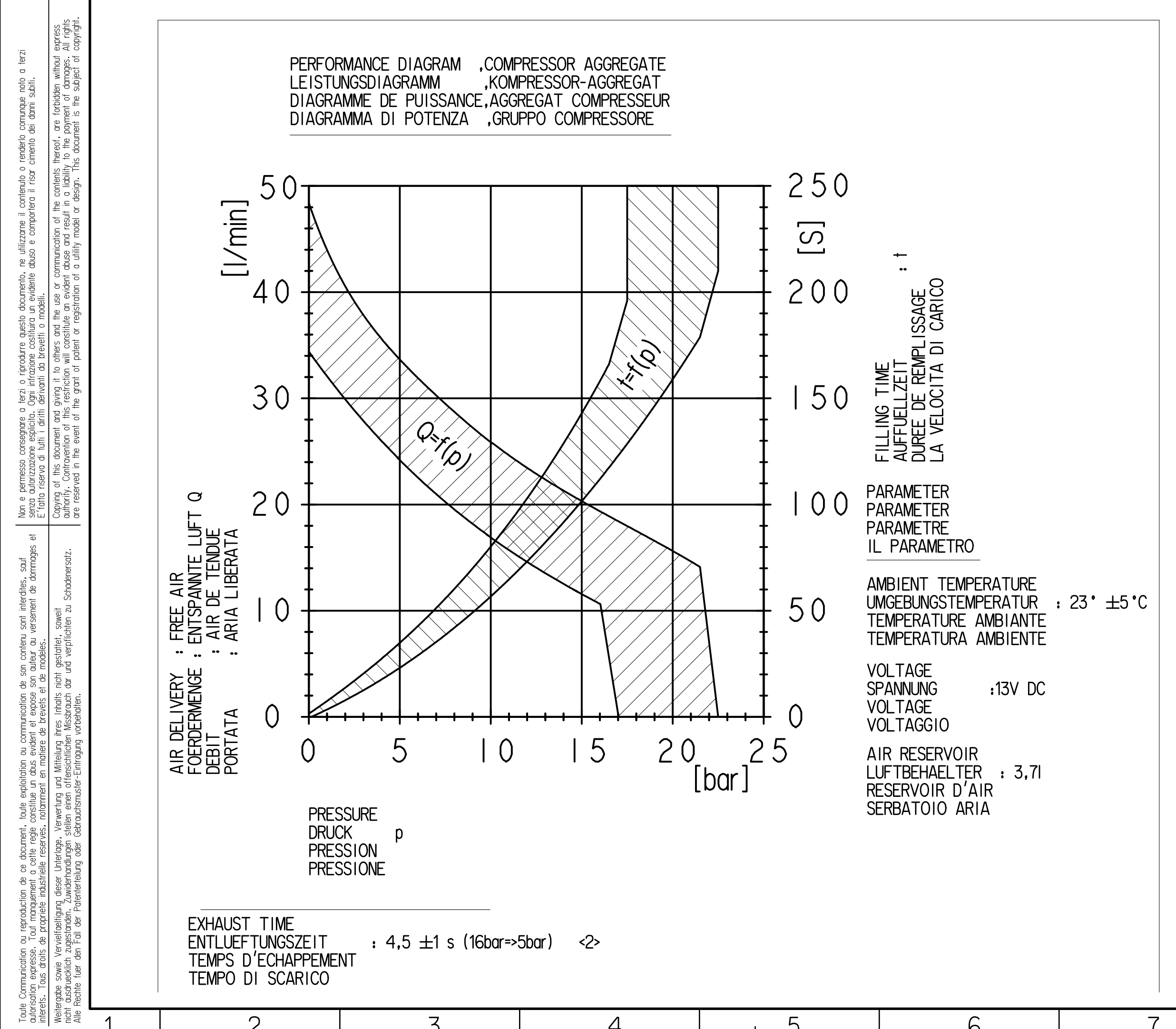
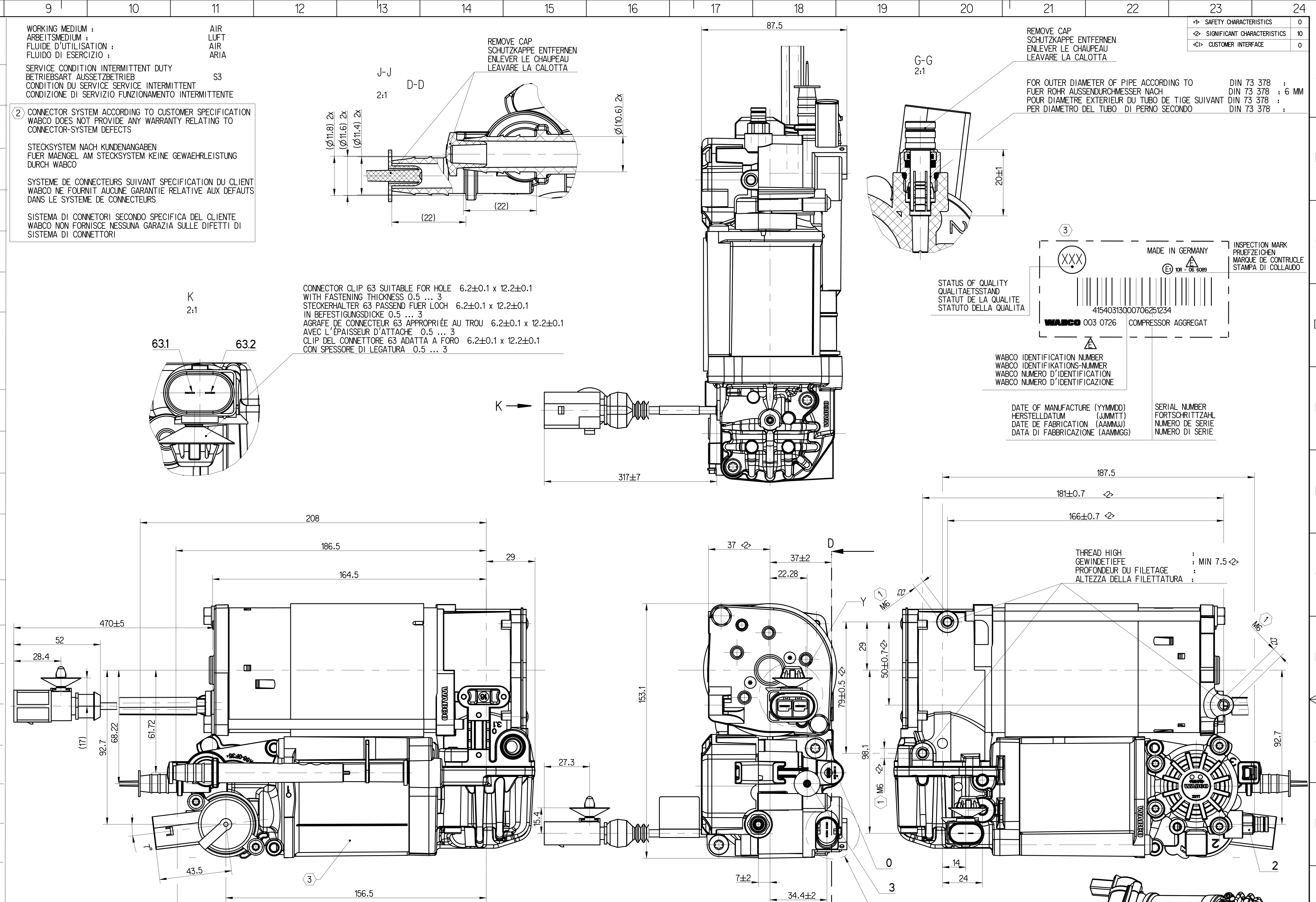
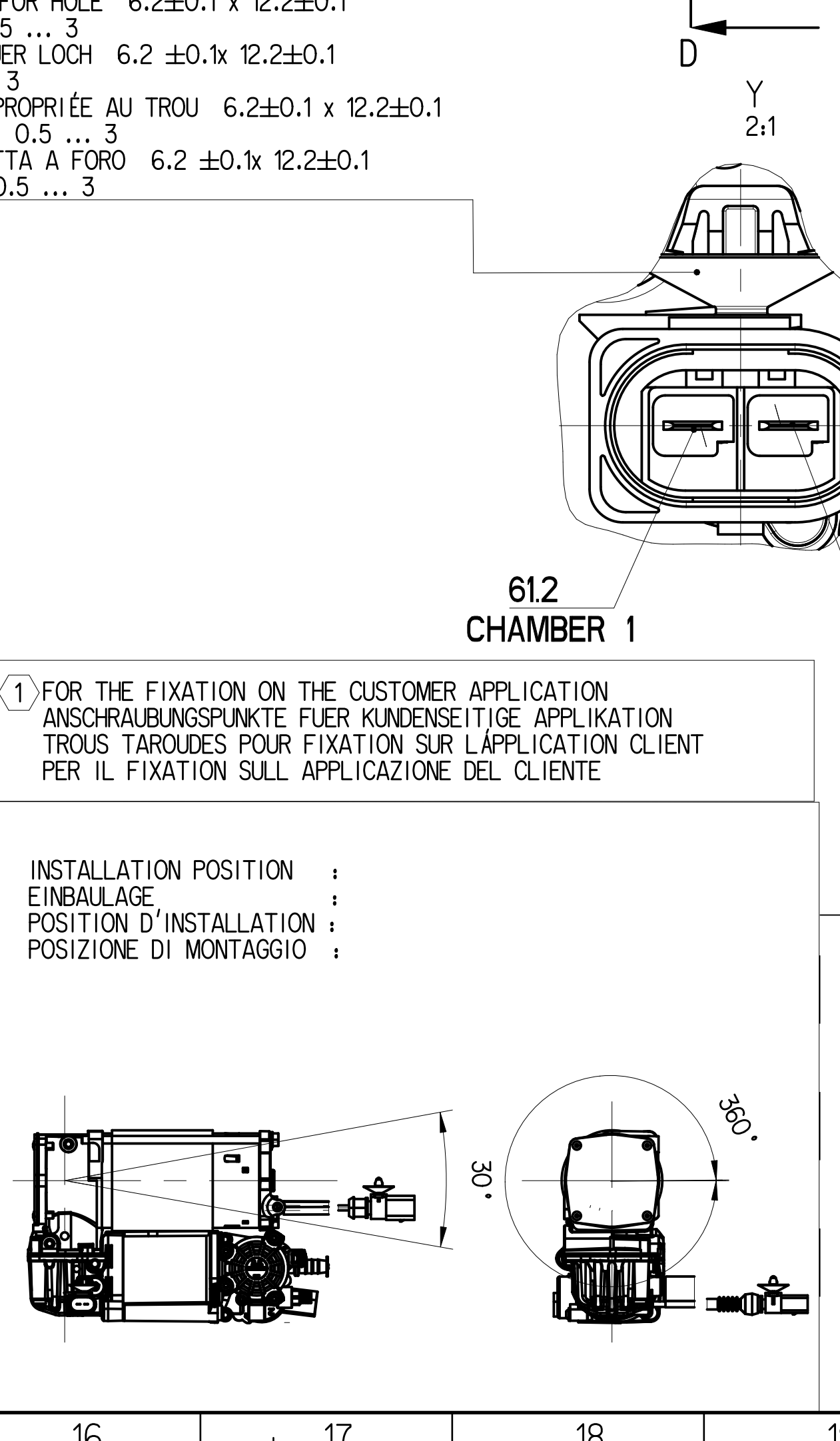
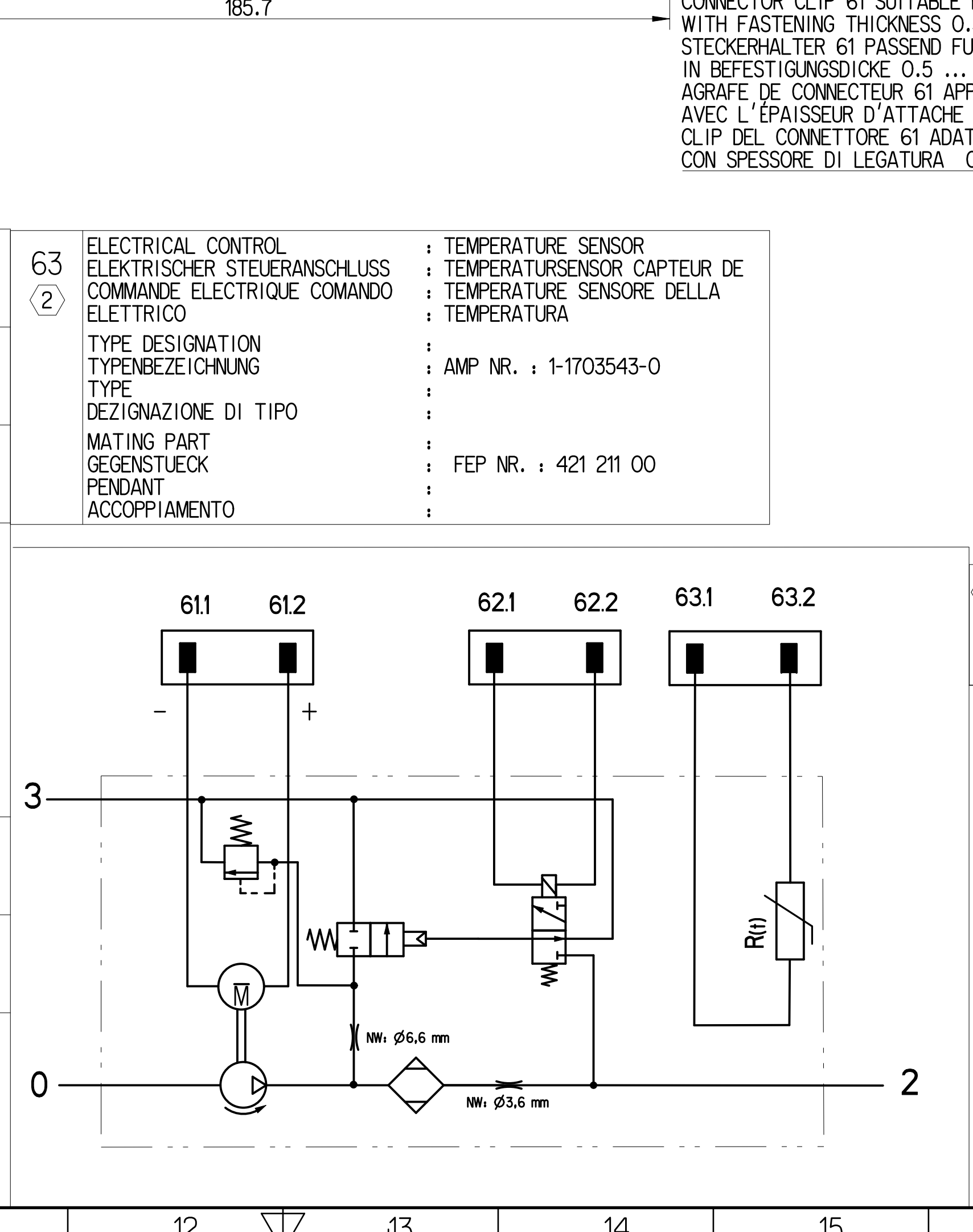


TECHNICAL DATA TECHNISCHE DATEN CARATTERISTICHE TECNICHE CARATTERISTICHE TECNICHE	COMPRESSOR KOMPRESSOR COMPRESSEUR COMPRESSEUR	SOLENOID VENTILMAGNET AIMANT ELETTROMAGNETE	TEMPERATURE SENSOR TEMPERATURSENSOR SONDE DE TEMPERATURE SONDE DE TEMPERATURE	WORKING MEDIUM : ARBEITSMEDIUM : FLUIDO D'UTILISAZIONE : FLUIDO DI ESERCIZIO :	AIR LUFT AIR ARIA
TYPE OF CURRENT STROMART NATURE DU COURANT NATURA DELLA CORRENTE	DIRECT CURRENT GLEICHSTROM COURANT CONTINU CORRENTE CONTINUA	DIRECT CURRENT GLEICHSTROM COURANT CONTINU CORRENTE CONTINUA	DIRECT CURRENT GLEICHSTROM COURANT CONTINU CORRENTE CONTINUA	SERVICE CONDITION INTERMITTENT DUTY BETRIEBSART AUSSETZBETRIEB CONDITION DU SERVICE SERVICE INTERMITTENT CONDIZIONE DI SERVIZIO FUNZIONAMENTO INTERMITTENTE	S3
OPERATING VOLTAGE BETRIEBSSPANNUNG : U _B TENSIONE DI SERVIZIO TENSIONE DI SERVIZIO	9...16V	9...16V	U _B = 5 ± 0.125 V	② CONNECTOR SYSTEM ACCORDING TO CUSTOMER SPECIFICATION WABCO DOES NOT PROVIDE ANY WARRANTY RELATING TO CONNECTOR-SYSTEM DEFECTS	
NOMINAL VOLTAGE NENNSPANNUNG : U _N TENSIONE NOMINALE TENSIONE NOMINALE	12V	12V	U _N = 5 V	STECKSYSTEM NACH KUNDENANGABEN FUER MANGEL AM STECKSYSTEM KEINE GEWAHRLEISTUNG DURCH WABCO	
RATED CURRENT NENNSTROM : I _N COURANT NOMINAL : I _N CORRENTE NOMINALE : I _N		I _N = 0.75A I _{ess} >= 390mA I _p <= 470mA PEAK AND HOLD	----	SYSTEME DE CONNECTEURS SUIVANT SPECIFICATION DU CLIENT WABCO NE FOURNIT AUCUNE GARANTIE RELATIVE AUX DEFECTS DANS LE SYSTEME DE CONNECTEURS	
MAXIMAL CURRENT INTENSITY MAXIMALE STROMSTAERKE : I _{max} INTENSITA' MAXIMALE DU COURANT INTENSITA' MASSIMA DELLA CORRENTE	(U=13V; t=23±5°C; p=13.2bar)	35A	0.8A	SISTEMA DI CONNETTORI SECONDO SPECIFICA DEL CLIENTE WABCO NON FORNISCE NESSUNA GARANZIA SULLE DIFETTI DI SISTEMA DI CONNETTORI	
DEGREE OF PROTECTION ACCORDING TO ISO 20653 SCHUTZART NACH ISO 20653 DEGRE DE PROTECTION SUIVANT ISO 20653 GRADO DI PROTEZIONE SECONDO ISO 20653	IP6K7 IP6K7K	IP6K7 IP6K7K	IP6K7		
DUTY CYCLE EINSCHALTDAUER : (U=13V) p % 10 bar DUREE DE FONCTIONNEMENT CICLO DI LAVORO	15% ED / 10min (t=23°C) 8% ED / 10min (t=55°C)	33.3% ED / 5min (t=-40...+80°C)	100% ED (t=-40...+100°C) PEAK AND HOLD		
WITHOUT ENCAPSULATION OHNE KAPSELUNG SANS EMBALLAGE SENZA IMBALLAGGIO	6% ED / 10min (t=80°C) 3% ED / 10min (t=100°C)	----	100% ED		
DYNAMIC PRESSURE LIMITING DYNAMISCHE DRUCKBEGRENZUNG : p LIMITATION DE PRESSION DYNAMIQUE LIMITAZIONE DI PRESSIONE DINAMICO	17.0 ± 0.5 BAR (t=23±5°C)	----	----		
RESIDUAL PRESSURE RUECKHALTDRUCK : p PRESSION DE RETENUE PRESSIONE DI RITENUTA	0.9 ± 0.5 BAR (t=23±5°C)	----	----		
OPERATING PRESSURE BETRIEBSDRUCK : p PRESSION DE SERVICE PRESSIONE DI SERVIZIO	≤ 15 BAR	----	----		
MAX. PERMISSIBLE PRESSURE IN CONNECTION 2 AT COMPRESSOR START-UP MAX. ZULAESSIGER DRUCK IN ANSCHLUSS 2 BEI KOMPRESSORANLAUF MAX. PRESSION AMMISSIBILE A RACCORDAMENTO 2 A COMPRESSOR MISE EN TRAIN MAX. PRESSIONE AMMISSIBILE EL COLLEGAMENTO 2 A COMPRESSORE START-UP	2.5 BAR	----	----		
MIN. OPERATION PRESSURE AT EXHAUST FUNCTION AT COMPRESSOR AIR PORT MIN. ZULAESSIGER BETRIEBSDRUCK WAEREND ENTLUEFTUNG AM DRUCKANSCHLUSS PRESSION MINIMALE DE FONCTIONNEMENT A LA CONNECTION PNEUMATIQUE DU COMPRESSEUR	2.75 BAR	----	----		
OHMIC RESISTANCE OHMSCHER WIDERSTAND RESISTANCE OHM RESISTENZA OHM	----	0.48k Ω @ +120°C 1.084k Ω @ +90°C 12.65k Ω @ +20°C 264.93k Ω @ -40°C	----		
MEASURING RANGE MESSBEREICH ZONE DE MESURE CAMPO DI MISURA	----	----	-40°C ... +140°C		
THERMO COUPLE THERMOELEMENT COUPLE THERMOELECTRIQUE COPPIA TERMOELETTTRICA	----	----	NTC-THERMISTOR NTC-THERMISTOR NTC-THERMISTANCE NTC-TERMISTORE		
AMBIENT TEMPERATURE UMGEBUNGSTEMPERATUR : t TEMPERATURE AMBIANTE TEMPERATURA AMBIENTE	-40°C...+100°C	-40°C...+100°C	-40°C...+100°C		
STORAGE TEMPERATURE LAGERTEMPORATUR : t TEMPERATURE DE STOCKAGE TEMPERATURA DI IMMAGAZZINAMENTO	-40°C...+100°C	-40°C...+100°C	-40°C...+100°C		
SHORT TERM RESISTANCE TO HEAT KURZZEITIGE WAERMEBESTAENDIGKEIT : t RESISTANCE THERMIQUE TEMPORAIRE RESISTENZA TERMICA PER BREVE PERIODO	MAX. t _h +110°C (WITHOUT FUNCTION) (OHNE FUNKTION) (SANS FONCTION) (SENZA FUNZIONE)	MAX. t _h +110°C (WITHOUT FUNCTION) (OHNE FUNKTION) (SANS FONCTION) (SENZA FUNZIONE)	MAX. t _h +110°C (WITHOUT FUNCTION) (OHNE FUNKTION) (SANS FONCTION) (SENZA FUNZIONE)		
LUBRICATION COMPRESSOR; SCHMIERUNG KOMPRESSOR; GRAISSAGE KOMPRESSOR; LUBRIFICAZIONE COMPRESSORE;	DRY RUNNING TROCKENLAUF FUNCTIONNEMENT A SEC FUZIONAMENTO A SECCO	----	----		



TEST GEMAß IEC 60068-2-11 SS BEI EINER DAUER VON 400 STUNDEN
TEST ACCORDING TO IEC 60068-2-11 SS WITH DURATION OF 400 HOURS
SELON IEC 60068-2-11 SS JUSQU'À UNE DURÉE DE 400 HEURES
IL COLLAUDO ADEGUATO IEC 60068-2-11 SS DURATA DI 400 DILAZIONARE

0	INLET ANSAUGUNG ASPIRATION ASPIRAZIONE	: COMPRESSOR AGGREGATE : KOMPRESSOR-AGGREGAT : AGGREGAT DU COMPRESSEUR : COMPLESSIVO DEL COMPRESSEUR	63	ELECTRICAL CONTROL ELEKTRISCHER STEUERANSCHLUSS COMMANDE ELECTRIQUE COMANDO ELETTRICO	: TEMPERATURE SENSOR : TEMPURATURSENSOR CAPTEUR DE : COMMANDE ELECTRIQUE COMANDO : TEMPERATURA
2	COMPRESSED AIR PORT DRUCKANSCHLUSS ORFICE D'AIR COMPRIE ORFIZIO PER ARIA COMPRESSA	: COMPRESSOR AGGREGATE : KOMPRESSORAGGREGAT : AGGREGAT DU COMPRESSEUR : COMPLESSIVO DEL COMPRESSEUR		TYPE DESIGNATION TYPENBEZEICHNUNG TYPE DEZIGNAZIONE DI TIPO	: AMP NR. : 1-1703543-0 : FEP NR. : 421 211 00
3	EXHAUST ENTLUEFTUNG ECHARPEMENT SCARICO	: COMPRESSOR AGGREGATE : KOMPRESSOR-AGGREGAT : AGGREGAT DU COMPRESSEUR : COMPLESSIVO DEL COMPRESSEUR		MATING PART GEGENSTUECK PENDANT ACCOPIAMENTO	: FEP NR. : 421 229 00
61	ELECTRICAL CONTROL PORT ELEKTRISCHER STEUERANSCHLUSS ORFICE DE COMMANDE ELECTRIQUE ORFICIO DI COMANDO ELECTRICA	: COMPRESSOR AGGREGATE : KOMPRESSOR-AGGREGAT : AGGREGAT DU COMPRESSEUR : COMPLESSIVO DEL COMPRESSEUR		TYPE DEZIGNAZIONE DI TIPO	: AMP NR. : 1-1703532-1
61.1	EARTH CONNECTION (TERMINAL STATION 31) MASSEANSCHLUSS (KLEMME 31) PRISE DE MASSE (BORNE 31) CONNESSIONE DELLA MASSA (TERMINALE 31)	: COMPRESSOR AGGREGATE : KOMPRESSOR-AGGREGAT : AGGREGAT DU COMPRESSEUR : COMPLESSIVO DEL COMPRESSEUR		MATING PART GEGENSTUECK PENDANT ACCOPIAMENTO	: FEP NR. : 421 229 00
61.2	CONNECTION PLUS (TERMINAL STATION 30) ANSCHLUSS PLUS (KLEMME 30) CONNESSION PLUS (BORNE 30) CONNESSIONE PIU (TERMINALE 30)	: COMPRESSOR AGGREGATE : KOMPRESSOR-AGGREGAT : AGGREGAT DU COMPRESSEUR : COMPLESSIVO DEL COMPRESSEUR			
62	ELECTRICAL CONTROL ELEKTRISCHER STEUERANSCHLUSS COMMANDE ELECTRIQUE COMANDO ELETTRICO	: SOLENOID VALVE (AIR DRYER) : MAGNETVENTIL (LUFTTROCKNER) : ELECTROVANNE (DESSICATEUR) : ELETTROVALVOLA (ESSICCATORE)			



AUXILIARY DIMENSION
HILFSMASS
DIMENSION AUXILIAIRE
DIMENSIONE AUSILIARIA

General Specifications ISO 9001, ISO 14001, ISO 15001
Further Technical Data
Doc. Code: 2025-07-23
Date: 2025-07-23
Sheet: 1 of 1
Revision: 1.1
Dimensions in mm
Class: 1 ± 0.05, 2 ± 0.05, 3 ± 0.05, 4 ± 0.05, 5 ± 0.05, 6 ± 0.05, 7 ± 0.05, 8 ± 0.05, 9 ± 0.05, 10 ± 0.05, 11 ± 0.05, 12 ± 0.05, 13 ± 0.05, 14 ± 0.05, 15 ± 0.05, 16 ± 0.05, 17 ± 0.05, 18 ± 0.05, 19 ± 0.05, 20 ± 0.05, 21 ± 0.05, 22 ± 0.05, 23 ± 0.05, 24 ± 0.05, 25 ± 0.05, 26 ± 0.05, 27 ± 0.05, 28 ± 0.05, 29 ± 0.05, 30 ± 0.05, 31 ± 0.05, 32 ± 0.05, 33 ± 0.05, 34 ± 0.05, 35 ± 0.05, 36 ± 0.05, 37 ± 0.05, 38 ± 0.05, 39 ± 0.05, 40 ± 0.05, 41 ± 0.05, 42 ± 0.05, 43 ± 0.05, 44 ± 0.05, 45 ± 0.05, 46 ± 0.05, 47 ± 0.05, 48 ± 0.05, 49 ± 0.05, 50 ± 0.05, 51 ± 0.05, 52 ± 0.05, 53 ± 0.05, 54 ± 0.05, 55 ± 0.05, 56 ± 0.05, 57 ± 0.05, 58 ± 0.05, 59 ± 0.05, 60 ± 0.05, 61 ± 0.05, 62 ± 0.05, 63 ± 0.05, 64 ± 0.05, 65 ± 0.05, 66 ± 0.05, 67 ± 0.05, 68 ± 0.05, 69 ± 0.05, 70 ± 0.05, 71 ± 0.05, 72 ± 0.05, 73 ± 0.05, 74 ± 0.05, 75 ± 0.05, 76 ± 0.05, 77 ± 0.05, 78 ± 0.05, 79 ± 0.05, 80 ± 0.05, 81 ± 0.05, 82 ± 0.05, 83 ± 0.05, 84 ± 0.05, 85 ± 0.05, 86 ± 0.05, 87 ± 0.05, 88 ± 0.05, 89 ± 0.05, 90 ± 0.05, 91 ± 0.05, 92 ± 0.05, 93 ± 0.05, 94 ± 0.05, 95 ± 0.05, 96 ± 0.05, 97 ± 0.05, 98 ± 0.05, 99 ± 0.05, 100 ± 0.05, 101 ± 0.05, 102 ± 0.05, 103 ± 0.05, 104 ± 0.05, 105 ± 0.05, 106 ± 0.05, 107 ± 0.05, 108 ± 0.05, 109 ± 0.05, 110 ± 0.05, 111 ± 0.05, 112 ± 0.05, 113 ± 0.05, 114 ± 0.05, 115 ± 0.05, 116 ± 0.05, 117 ± 0.05, 118 ± 0.05, 119 ± 0.05, 120 ± 0.05, 121 ± 0.05, 122 ± 0.05, 123 ± 0.05, 124 ± 0.05, 125 ± 0.05, 126 ± 0.05, 127 ± 0.05, 128 ± 0.05, 129 ± 0.05, 130 ± 0.05, 131 ± 0.05, 132 ± 0.05, 133 ± 0.05, 134 ± 0.05, 135 ± 0.05, 136 ± 0.05, 137 ± 0.05, 138 ± 0.05, 139 ± 0.05, 140 ± 0.05, 141 ± 0.05, 142 ± 0.05, 143 ± 0.05, 144 ± 0.05, 145 ± 0.05, 146 ± 0.05, 147 ± 0.05, 148 ± 0.05, 149 ± 0.05, 150 ± 0.05, 151 ± 0.05, 152 ± 0.05, 153 ± 0.05, 154 ± 0.05, 155 ± 0.05, 156 ± 0.05, 157 ± 0.05, 158 ± 0.05, 159 ± 0.05, 160 ± 0.05, 161 ± 0.05, 162 ± 0.05, 163 ± 0.05, 164 ± 0.05, 165 ± 0.05, 166 ± 0.05, 167 ± 0.05, 168 ± 0.05, 169 ± 0.05, 170 ± 0.05, 171 ± 0.05, 172 ± 0.05, 173 ± 0.05, 174 ± 0.05, 175 ± 0.05, 176 ± 0.05, 177 ± 0.05, 178 ± 0.05, 179 ± 0.05, 180 ± 0.05, 181 ± 0.05, 182 ± 0.05, 183 ± 0.05, 184 ± 0.05, 185 ± 0.05, 186 ± 0.05, 187 ± 0.05, 188 ± 0.05, 189 ± 0.05, 190 ± 0.05, 191 ± 0.05, 192 ± 0.05, 193 ± 0.05, 194 ± 0.05, 195 ± 0.05, 196 ± 0.05, 197 ± 0.05, 198 ± 0.05, 199 ± 0.05, 200 ± 0.05, 201 ± 0.05, 202 ± 0.05, 203 ± 0.05, 204 ± 0.05, 205 ± 0.05, 206 ± 0.05, 207 ± 0.05, 208 ± 0.05, 209 ± 0.05, 210 ± 0.05, 211 ± 0.05, 212 ± 0.05, 213 ± 0.05, 214 ± 0.05, 215 ± 0.05, 216 ± 0.05, 217 ± 0.05, 218 ± 0.05, 219 ± 0.05, 220 ± 0.05, 221 ± 0.05, 222 ± 0.05, 223 ± 0.05, 224 ± 0.05, 225 ± 0.05, 226 ± 0.05, 227 ± 0.05, 228 ± 0.05, 229 ± 0.05, 230 ± 0.05, 231 ± 0.05, 232 ± 0.05, 233 ± 0.05, 234 ± 0.05, 235 ± 0.05, 236 ± 0.05, 237 ± 0.05, 238 ± 0.05, 239 ± 0.05, 240 ± 0.05, 241 ± 0.05, 242 ± 0.05, 243 ± 0.05, 244 ± 0.05, 245 ± 0.05, 246 ± 0.05, 247 ± 0.05, 248 ± 0.05, 249 ± 0.05, 250 ± 0.05, 251 ± 0.05, 252 ± 0.05, 253 ± 0.05, 254 ± 0.05, 255 ± 0.05, 256 ± 0.05, 257 ± 0.05, 258 ± 0.05, 259 ± 0.05, 260 ± 0.05, 261 ± 0.05, 262 ± 0.05, 263 ± 0.05, 264 ± 0.05, 265 ± 0.05, 266 ± 0.05, 267 ± 0.05, 268 ± 0.05, 269 ± 0.05, 270 ± 0.05, 271 ± 0.05, 272 ± 0.05, 273 ± 0.05, 274 ± 0.05, 275 ± 0.05, 276 ± 0.05, 277 ± 0.05, 278 ± 0.05, 279 ± 0.05, 280 ± 0.05, 281 ± 0.05, 282 ± 0.05, 283 ± 0.05, 284 ± 0.05, 285 ± 0.05, 286 ± 0.05, 287 ± 0.05, 288 ± 0.05, 289 ± 0.05, 290 ± 0.05, 291 ± 0.05, 292 ± 0.05, 293 ± 0.05, 294 ± 0.05, 295 ± 0.05, 296 ± 0.05, 297 ± 0.05, 298 ± 0.05, 299 ± 0.05, 300 ± 0.05, 301 ± 0.05, 302 ± 0.05, 303 ± 0.05, 304 ± 0.05, 305 ± 0.05, 306 ± 0.05, 307 ± 0.05, 308 ± 0.05, 309 ± 0.05, 310 ± 0.05, 311 ± 0.05, 312 ± 0.05, 313 ± 0.05, 314 ± 0.05, 315 ± 0.05, 316 ± 0.05, 317 ± 0.05, 318 ± 0.05, 319 ± 0.05, 320 ± 0.05, 321 ± 0.05, 322 ± 0.05, 323 ± 0.05, 324 ± 0.05, 325 ± 0.05, 326 ± 0.05, 327 ± 0.05, 328 ± 0.05, 329 ± 0.05, 330 ± 0.05, 331 ± 0.05, 332 ± 0.05, 333 ± 0.05, 334 ± 0.05, 335 ± 0.05, 336 ± 0.05, 337 ± 0.05, 338 ± 0.05, 339 ± 0.05, 340 ± 0.05, 341 ± 0.05, 342 ± 0.05, 343 ± 0.05, 344 ± 0.05, 345 ± 0.05, 346 ± 0.05, 347 ± 0.05, 348 ± 0.05, 349 ± 0.05, 350 ± 0.05, 351 ± 0.05, 352 ± 0.05, 353 ± 0.05, 354 ± 0.05, 355 ± 0.05, 356 ± 0.05, 357 ± 0.05, 358 ± 0.05, 359 ± 0.05, 360 ± 0.05, 361 ± 0.05, 362 ± 0.05, 363 ± 0.05, 364 ± 0.05, 365 ± 0.05, 366 ± 0.05, 367 ± 0.05, 368 ± 0.05, 369 ± 0.05, 370 ± 0.05, 371 ± 0.05, 372 ± 0.05, 373 ± 0.05, 374 ± 0.05, 375 ± 0.05, 376 ± 0.05, 377 ± 0.05, 378 ± 0.05, 379 ± 0.05, 380 ± 0.05, 381 ± 0.05, 382 ± 0.05, 383 ± 0.05, 384 ± 0.05, 385 ± 0.05, 386 ± 0.05, 387 ± 0.05, 388 ± 0.05, 389 ± 0.05, 390 ± 0.05, 391 ± 0.05, 392 ± 0.05, 393 ± 0.05, 394 ± 0.05, 395 ± 0.05, 396 ± 0.05, 397 ± 0.05, 398 ± 0.05, 399 ± 0.05, 400 ± 0.05, 401 ± 0.05, 402 ± 0.05, 403 ± 0.05, 404 ± 0.05, 405 ± 0.05, 406 ± 0.05, 407 ± 0.05, 408 ± 0.05, 409 ± 0.05, 410 ± 0.05, 411 ± 0.05, 412 ± 0.05, 413 ± 0.05, 414 ± 0.05, 415 ± 0.05, 416 ± 0.05, 417 ± 0.05, 418 ± 0.05, 419 ± 0.05, 420 ± 0.05, 421 ± 0.05, 422 ± 0.05, 423 ± 0.05, 424 ± 0.05, 425 ± 0.05, 426 ± 0.05, 427 ± 0.05, 428 ± 0.05, 429 ± 0.05, 430 ± 0.05, 431 ± 0.05, 432 ± 0.05, 433 ± 0.05, 434 ± 0.05, 435 ± 0.05, 436 ± 0.05, 437 ± 0.05, 438 ± 0.05, 439 ± 0.05, 440 ± 0.05, 441 ± 0.05, 442 ± 0.05, 443 ± 0.05, 444 ± 0.05, 445 ± 0.05, 446 ± 0.05, 447 ± 0.05, 448 ± 0.05, 449 ± 0.05, 450 ± 0.05, 451 ± 0.05, 452 ± 0.05, 453 ± 0.05, 454 ± 0.05, 455 ± 0.05, 456 ± 0.05, 457 ± 0.05, 458 ± 0.05, 459 ± 0.05, 460 ± 0.05, 461 ± 0.05, 462 ± 0.05, 463 ± 0.05, 464 ± 0.05, 465 ± 0.05, 466 ± 0.05, 467 ± 0.05, 468 ± 0.05, 469 ± 0.05, 470 ± 0.05, 471 ± 0.05, 472 ± 0.05, 473 ± 0.05, 474 ± 0.05, 475 ± 0.05, 476 ± 0.05, 477 ± 0.05, 478 ± 0.05, 479 ± 0.05, 480 ± 0.05, 481 ± 0.05, 482 ± 0.05, 483 ± 0.05, 484 ± 0.05, 485 ± 0.05, 486 ± 0.05, 487 ± 0.05, 488 ± 0.05, 489 ± 0.05, 490 ± 0.05, 491 ± 0.05, 492 ± 0.05, 493 ± 0.05, 494 ± 0.05, 495 ± 0.05, 496 ± 0.05, 497 ± 0.05, 498 ± 0.05, 499 ± 0.05, 500 ± 0.05, 501 ± 0.05, 502 ± 0.05, 503 ± 0.05, 504 ± 0.05, 505 ± 0.05, 506 ± 0.05, 507 ± 0.05, 508 ± 0.05, 509 ± 0.05, 510 ± 0.05, 511 ± 0.05, 512 ± 0.05, 513 ± 0.05, 514 ± 0.05, 515 ± 0.05, 516 ± 0.05, 517 ± 0.05, 518 ± 0.05, 519 ± 0.05, 520 ± 0.05, 521 ± 0.05, 522 ± 0.05, 523 ± 0.05, 524 ± 0.05, 525 ± 0.05, 526 ± 0.05, 527 ± 0.05, 528 ± 0.05, 529 ± 0.05, 530 ± 0.05, 531 ± 0.05, 532 ± 0.05, 533 ± 0.05, 534 ± 0.05, 535 ± 0.05, 536 ± 0.05, 537 ± 0.05, 538 ± 0.05, 539 ± 0.05, 540 ± 0.05, 541 ± 0.05, 542 ± 0.05, 543 ± 0.05, 544 ± 0.05, 545 ± 0.05, 546 ± 0.05, 547 ± 0.05, 548 ± 0.05, 549 ± 0.05, 550 ± 0.05, 551 ± 0.05, 552 ± 0.05, 553 ± 0.05, 554 ± 0.05, 555 ± 0.05, 556 ± 0.05, 557 ± 0.05, 558 ± 0.05, 559 ± 0.05, 560 ± 0.05, 561 ± 0.05, 562 ± 0.05, 563 ± 0.05, 564 ± 0.05, 565 ± 0.05, 566 ± 0.05, 567 ± 0.05, 568 ± 0.05, 569 ± 0.05, 570 ± 0.05, 571 ± 0.05, 572 ± 0.05, 573 ± 0.05, 574 ± 0.05, 575 ± 0.05, 576 ± 0.05, 577 ± 0.05, 578 ± 0.05, 579 ± 0.05, 580 ± 0.05, 581 ± 0.05, 582 ± 0.05, 583 ± 0.05, 584 ± 0.05, 585 ± 0.05, 586 ± 0.05, 587 ± 0.05, 588 ± 0.05, 589 ± 0.05, 590 ± 0.05, 591 ± 0.05, 592 ± 0.05, 593 ± 0.05, 594 ± 0.05, 595 ± 0.05, 596 ± 0.05, 597 ± 0.05, 598 ± 0.05, 599 ± 0.05, 600 ± 0.05, 601 ± 0.05, 602 ± 0.05, 603 ± 0.05, 604 ± 0.05, 605 ± 0.05, 606 ± 0.05, 607 ± 0.05, 608 ± 0.05, 609 ± 0.05, 610 ± 0.05, 611 ± 0.05, 612 ± 0.05, 613 ± 0.05, 614 ± 0.05, 615 ± 0.05, 616 ± 0.05, 617 ± 0.05, 618 ± 0.05, 619 ± 0.05, 620 ± 0.05, 621 ± 0.05, 622 ± 0.05, 623 ± 0.05, 624 ± 0.05, 625 ± 0.05, 626 ± 0.05, 627 ± 0.05, 628 ± 0.05, 629 ± 0.05, 630 ± 0.05, 631 ± 0.05, 632 ± 0.05, 633 ± 0.05, 634 ± 0.05, 635 ± 0.05, 636 ± 0.05, 637 ± 0.05, 638 ± 0.05, 639 ± 0.05, 640 ± 0.05, 641 ± 0.05, 642 ± 0.05, 643 ± 0.05, 644 ± 0.05, 645 ± 0.05, 646 ± 0.05, 647 ± 0.05, 648 ± 0.05, 649 ± 0.05, 650 ± 0.05, 651 ± 0.05, 652 ± 0.05, 653 ± 0.05, 654 ± 0.05, 655 ± 0.05, 656 ± 0.05, 657 ± 0.05, 658 ± 0.05, 659 ± 0.05, 660 ± 0.05, 661 ± 0.05, 662 ± 0.05, 663 ± 0.05, 664 ± 0.05, 665 ± 0.05, 666 ± 0.05, 667 ± 0.05, 668 ± 0.05, 669 ± 0.05, 670 ± 0.05, 671 ± 0.05, 672 ± 0.05, 673 ± 0.05, 674 ± 0.05, 675 ± 0.05, 676 ± 0.05, 677 ± 0.05, 678 ± 0.05, 679 ± 0.05, 680 ± 0.05, 681 ± 0.05, 682 ± 0.05, 683 ± 0.05, 684 ± 0.05, 685 ± 0.05, 686 ± 0.05, 687 ± 0.05, 688 ± 0.05, 689 ± 0.05, 690 ± 0.05, 691 ± 0.05, 692 ± 0.05, 693