

TECHNICAL DATA , TECHNISCHE DATEN , CARACTERISTIQUES TECHNIQUES , CARATTERISTICHIE TECNICHE

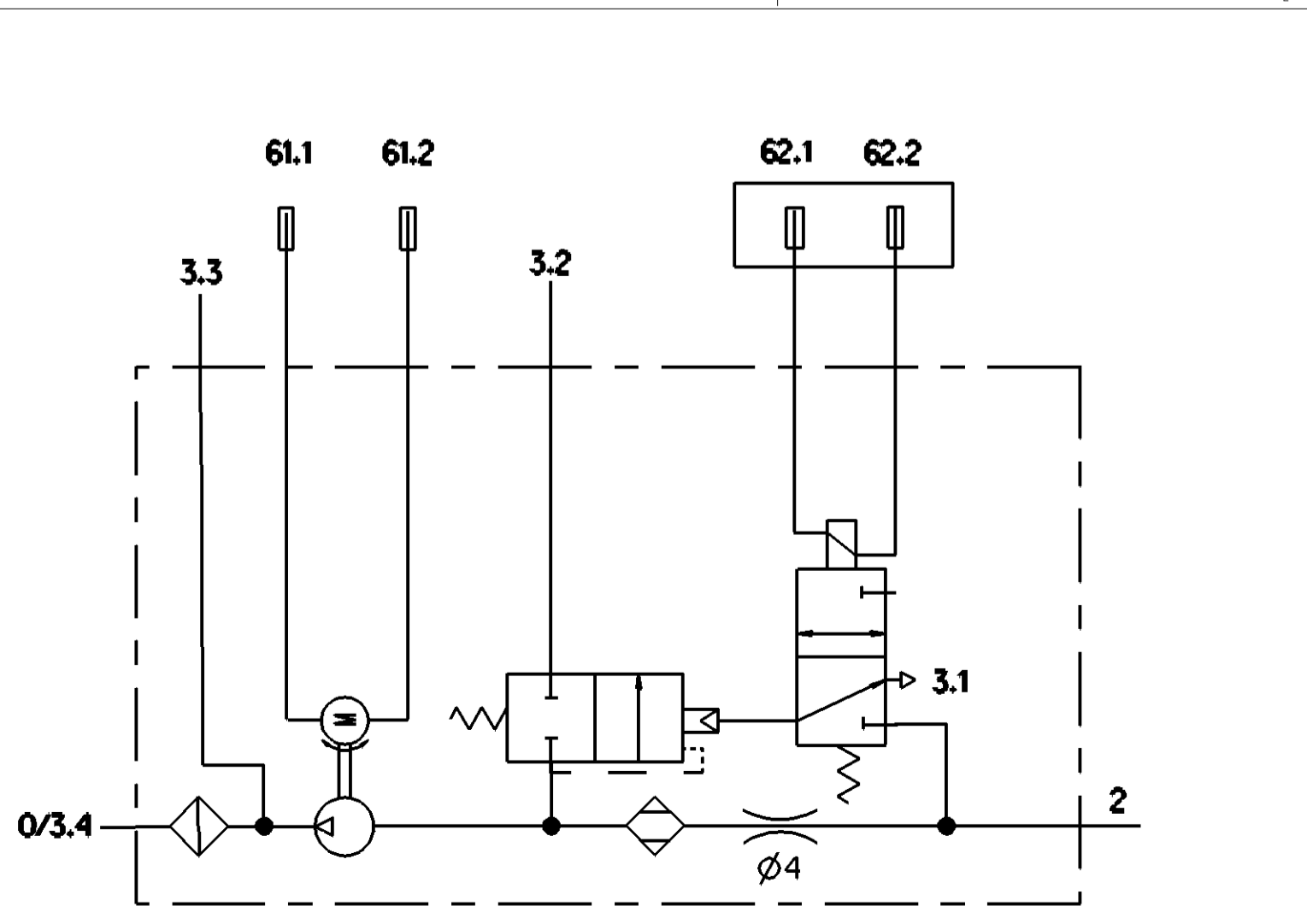
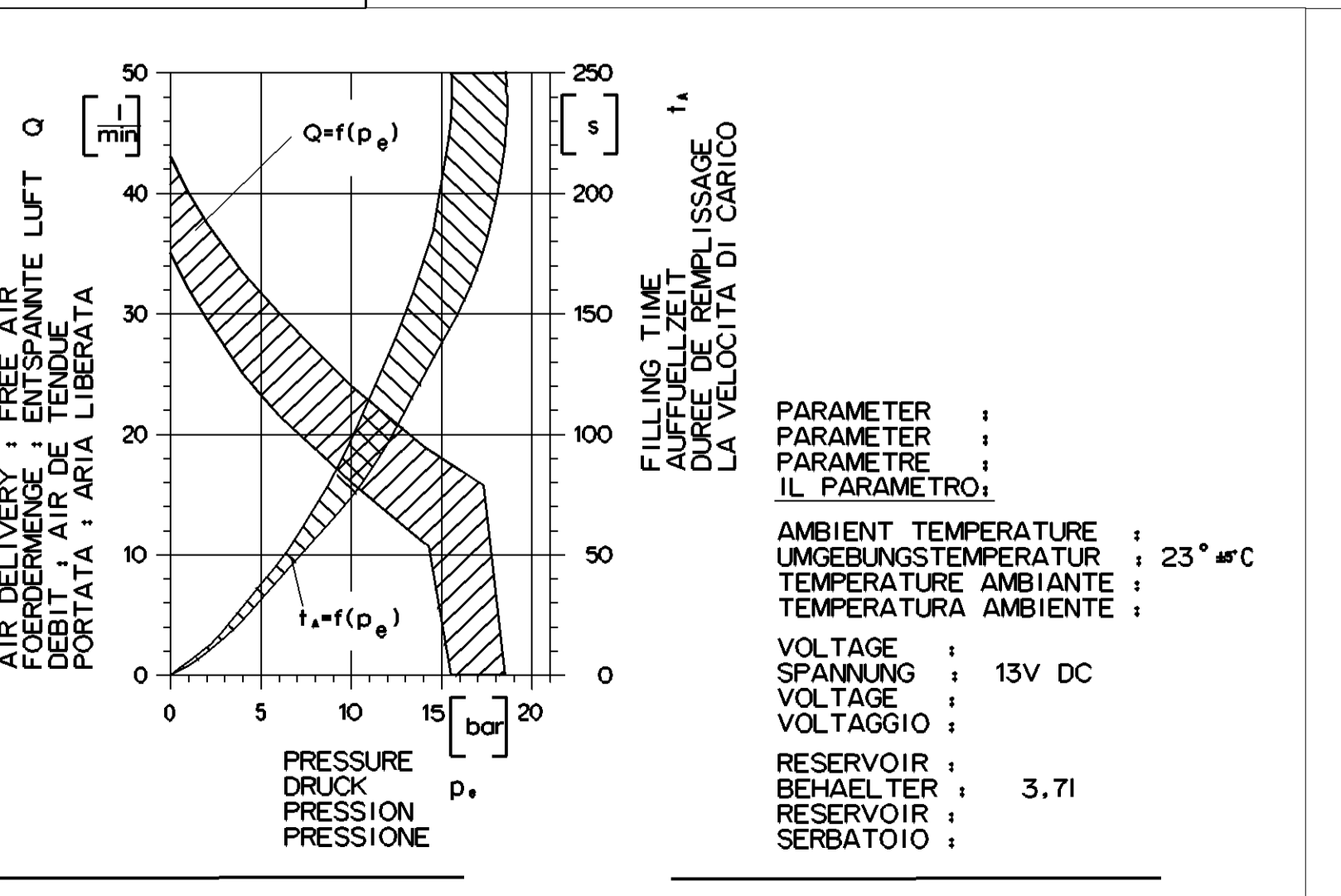
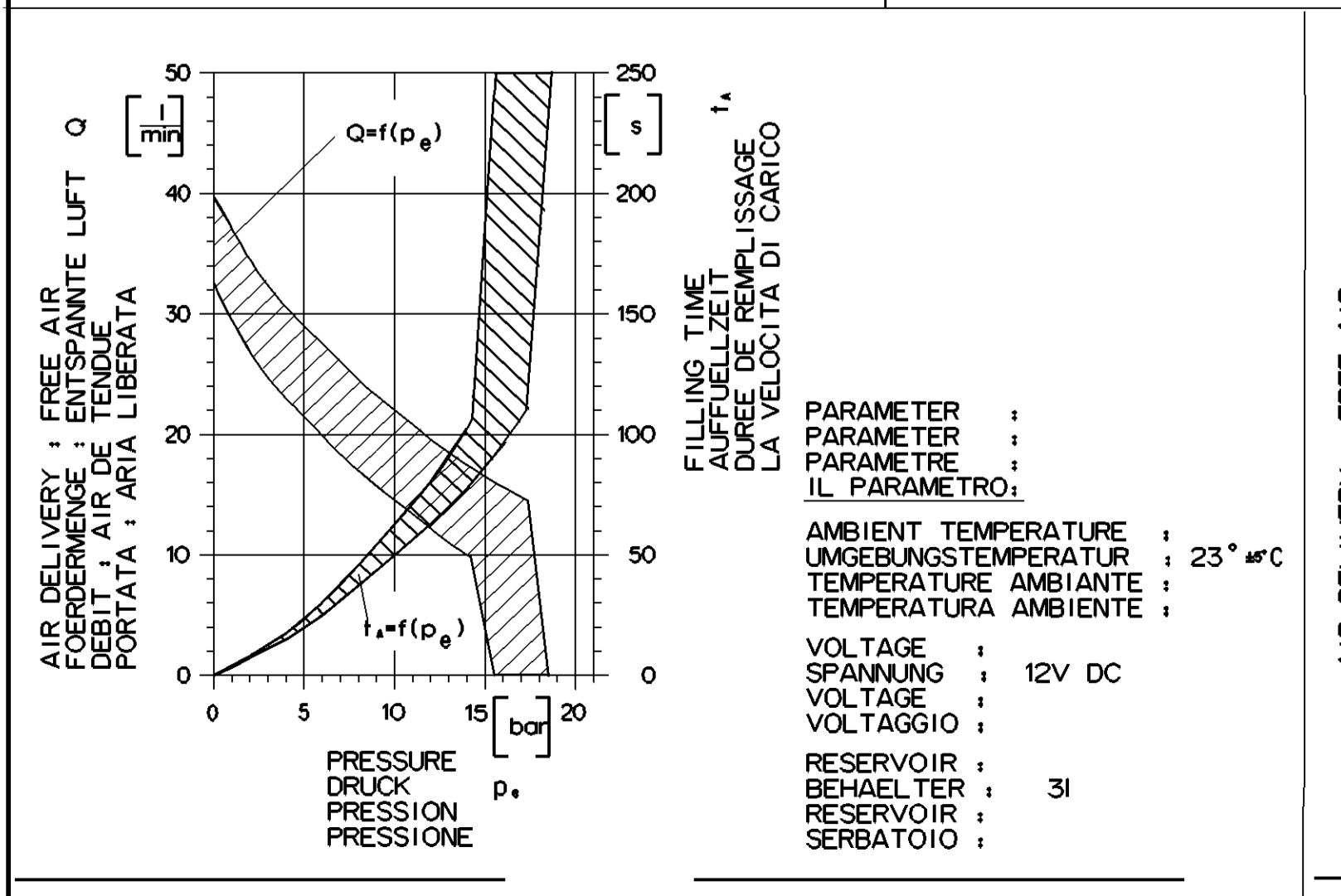
Table with 3 columns: Parameter, Value, and Unit. Rows include: TYPE OF CURRENT (DIRECT CURRENT), OPERATING VOLTAGE (U<sub>n</sub> = 12 V DC), NOMINAL VOLTAGE (U<sub>n</sub> = 12 V DC), CURRENT (I<sub>n</sub> = 0.75 A), MAXIMAL CURRENT (I<sub>max</sub> = 35 A), TYPE OF PROTECTION (IP 20), DUTY CYCLE (33.3% ED / 5min), DYNAMIC PRESSURE LIMITING (15.5 bar), RESIDUAL PRESSURE (1.2 bar), WORKING PRESSURE (P<sub>max</sub> = 14.4 bar).

USE ONLY WITH WABCO TUBE 415 403 397 4 (∅6x1) NUR ZU VERWENDEN MIT WABCO ROHR 415 403 397 4 (∅6x1)

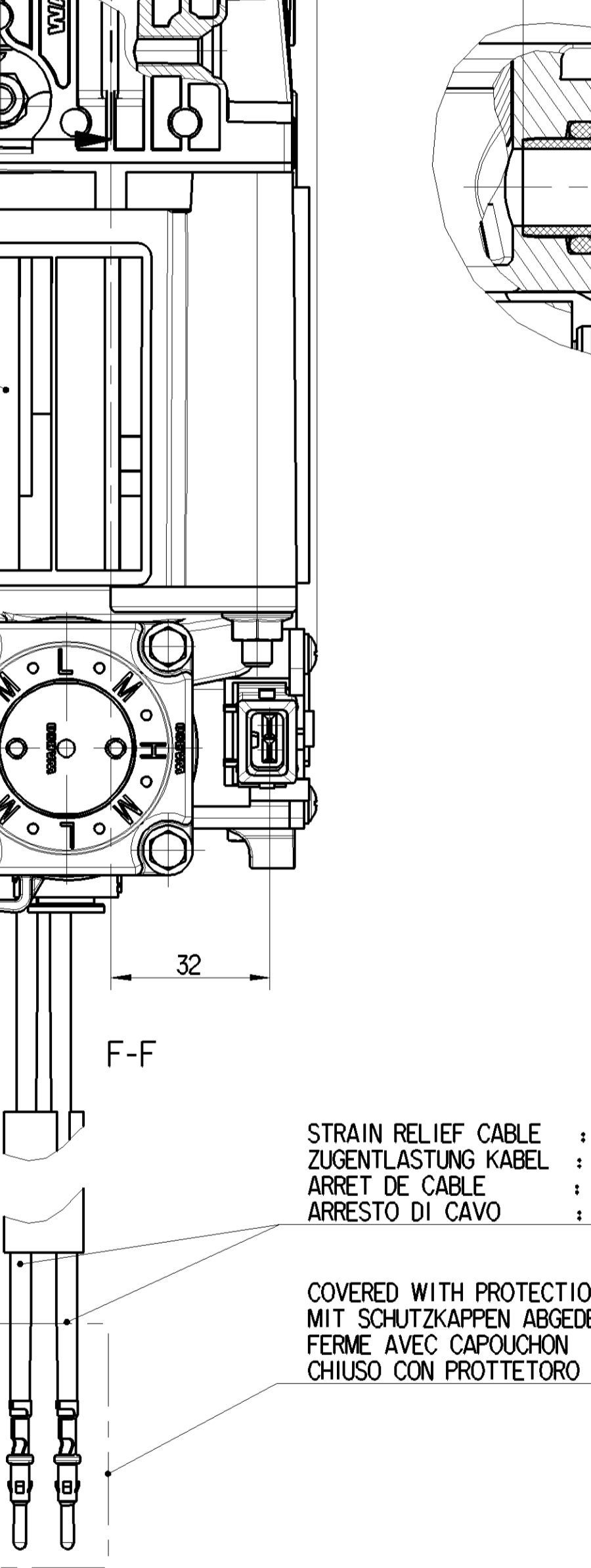
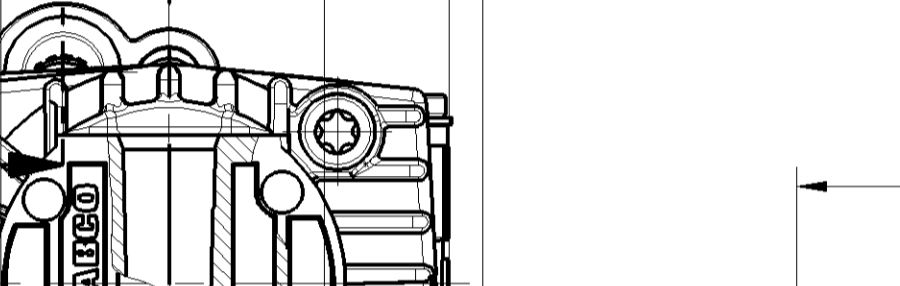


WABCO identification and inspection information including: PRODUCTION FACILITY (ZF CV Systems Hannover GmbH), INSPECTION MARK (10 R - 03 6089), WABCO IDENTIFICATION NUMBER (4154033000029123450), and SERIAL NUMBER (4154033000029123450).

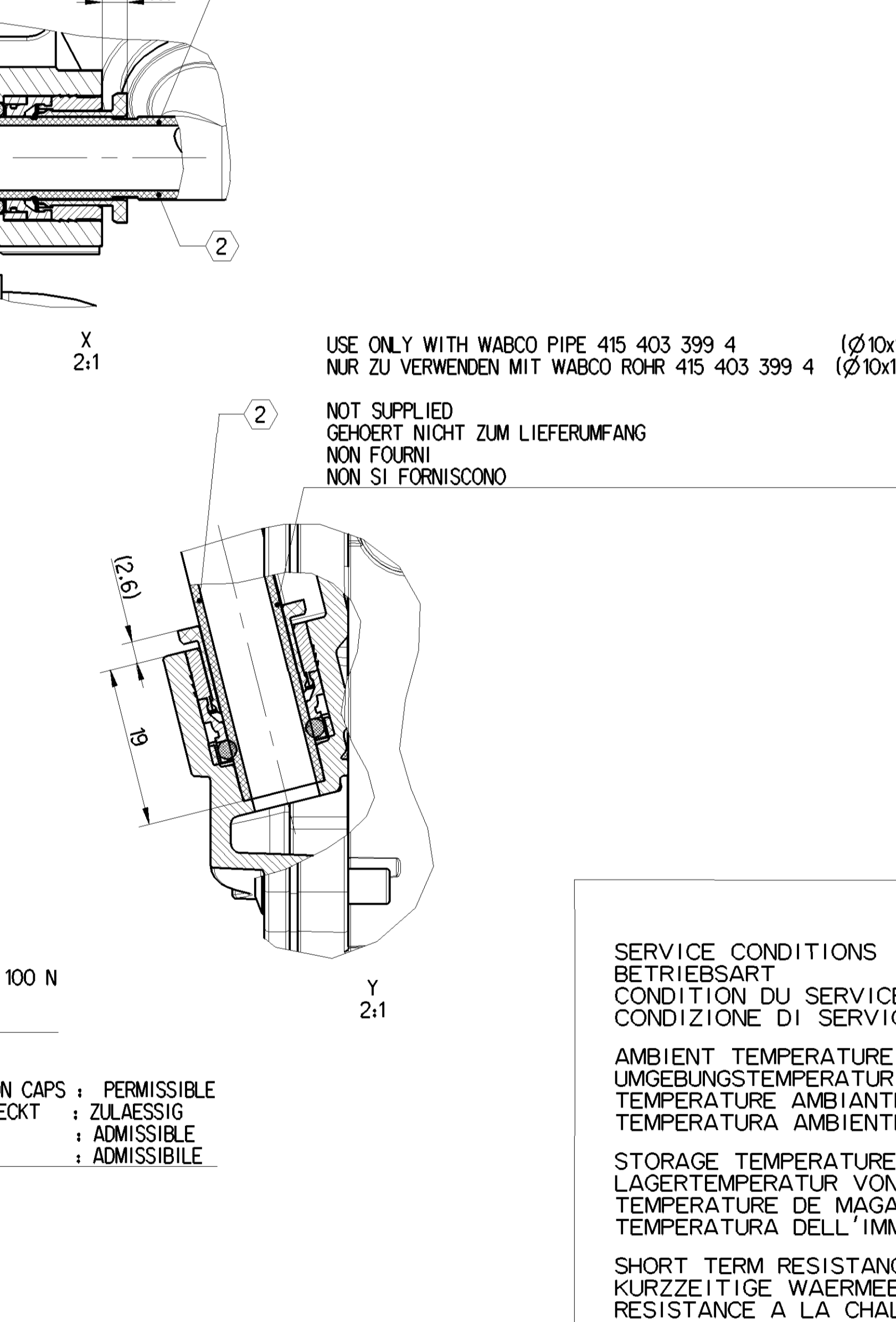
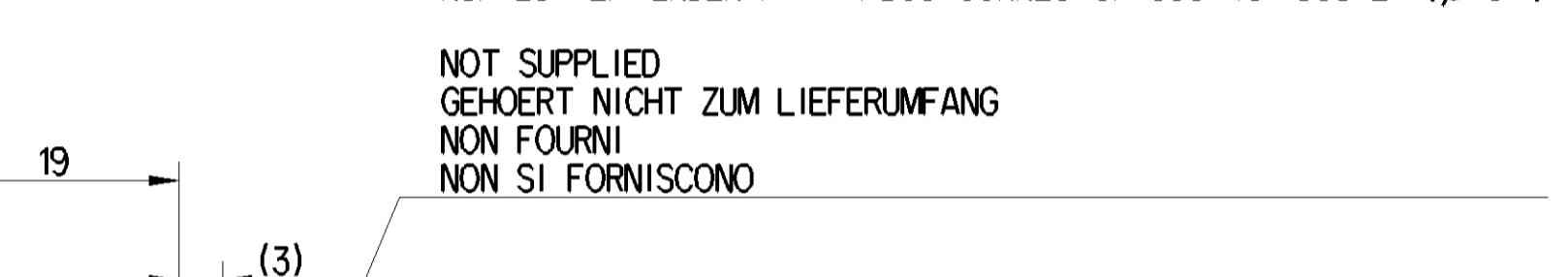
MOUNTING SUPPORT : 415 403 101 4. Includes instructions for putting in to stop, working medium (AIR/LUFT), torque of the screw (M = 5.5 ± 0.3 Nm), and crimp connection details.



USE ONLY WITH WABCO SREW 891 212 023 4 (M6) NUR ZU VERWENDEN MIT WABCO SCHRAUBE 891 212 023 4 (M6)

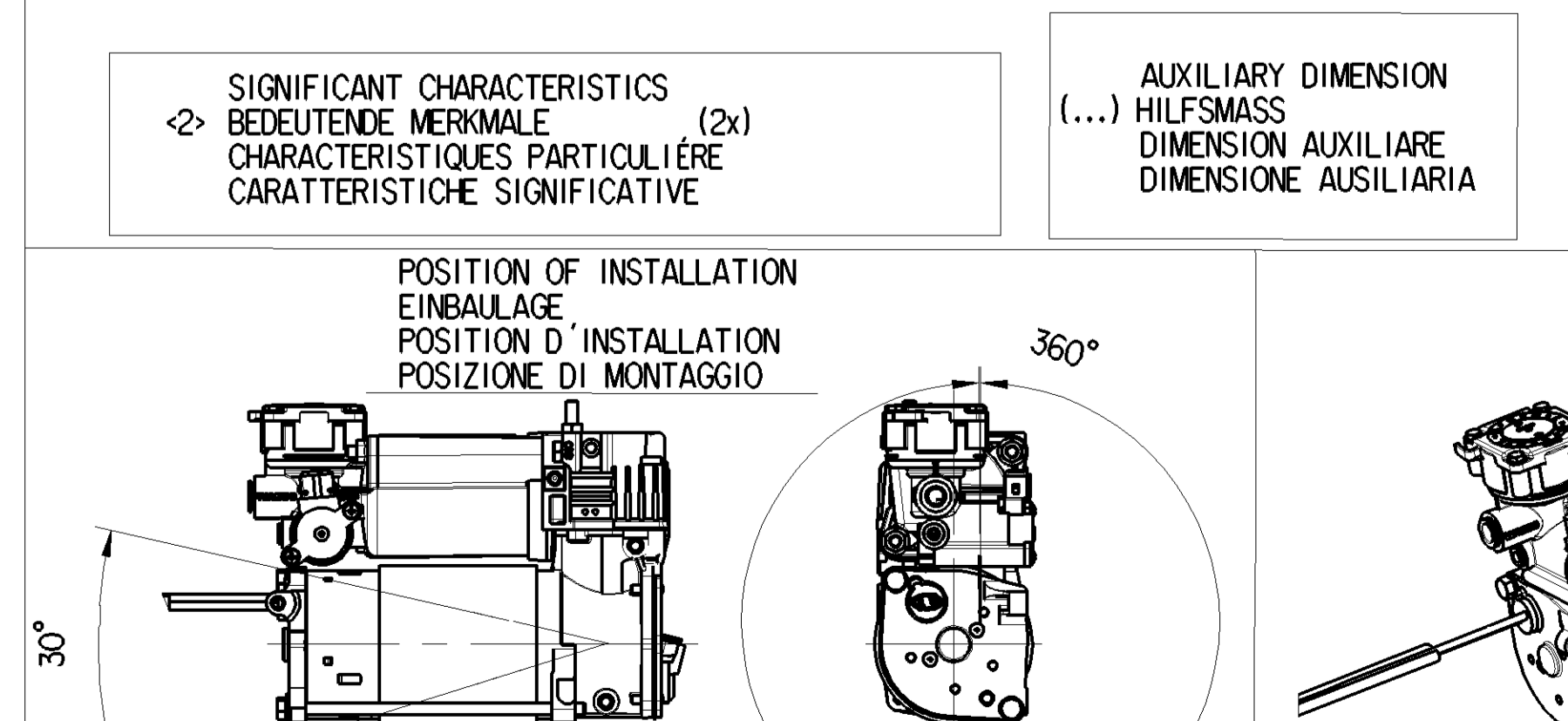


USE ONLY WITH WABCO CONNECTOR 893 401 805 2 (∅10x1) NUR ZU VERWENDEN MIT WABCO CONNECTOR 893 401 805 2 (∅10x1)



- 0/3.4 INLET / ANSAUGUNG / ENTLEERUNG / ASPIRACIONE / COMPRESSOR AGGREGATE / KOMPRESSORAGGREGAT / AGGREGAT DU COMPRESSEUR / COMPLESSIVO DEL COMPRESSORE
- 2 COMPRESSED AIR PORT / ORIFICE D'AIR COMPRIME / ORIFIZIO DI COMANDO ELETTRICA / COMPRESSOR AGGREGATE / KOMPRESSORAGGREGAT / AGGREGAT DU COMPRESSEUR / COMPLESSIVO DEL COMPRESSORE
- 3.1 EXHAUST / ENTLEERUNG / LUFFTROCKNER / SCARICCO / AIR DRYER / LUFTTROCKNER / ESSICCATORE / COMPRESSOR AGGREGATE / KOMPRESSORAGGREGAT / AGGREGAT DU COMPRESSEUR / COMPLESSIVO DEL COMPRESSORE
- 3.2 EXHAUST / ENTLEERUNG / LUFTTROCKNER / SCARICCO / AIR DRYER / LUFTTROCKNER / ESSICCATORE / COMPRESSOR AGGREGATE / KOMPRESSORAGGREGAT / AGGREGAT DU COMPRESSEUR / COMPLESSIVO DEL COMPRESSORE
- 3.3 EXHAUST / ENTLEERUNG / KURBELGEHAUSE / SCARICCO / CRANKCASE / KURBELGEHAUSE / CORFO / COMPRESSOR AGGREGATE / KOMPRESSORAGGREGAT / AGGREGAT DU COMPRESSEUR / COMPLESSIVO DEL COMPRESSORE
- 61 ELECTRICAL CONTROL PORT / ORIFICE DI COMANDO ELETTRICA / COMPRESSOR AGGREGATE / KOMPRESSORAGGREGAT / AGGREGAT DU COMPRESSEUR / COMPLESSIVO DEL COMPRESSORE
- 61.1 EARTH CONNECTION (TERMINAL STATION 31) / PRISE DE MASSE (BORNE 31) / COMMISSIONE DELLA MASSA (TERMINALE 31) / COMPRESSOR AGGREGATE / KOMPRESSORAGGREGAT / AGGREGAT DU COMPRESSEUR / COMPLESSIVO DEL COMPRESSORE
- 61.2 CONNECTION PLUS (TERMINAL 30) / ANSCHLUSS PLUS (KLEMME 30) / CONNESSIONE PIU' (TERMINALE 30) / COMPRESSOR AGGREGATE / KOMPRESSORAGGREGAT / AGGREGAT DU COMPRESSEUR / COMPLESSIVO DEL COMPRESSORE
- 62 ELECTRICAL CONTROL PORT / ORIFICE DI COMANDO ELETTRICA / SOLENOID VALVE (AIR DRYER) / MAGNETVENTIL (LUFTTROCKNER) / ORIFICE DI COMANDO ELETTRICO / Elettrovalvola (ESSICCATORE) / COMPRESSOR AGGREGATE / KOMPRESSORAGGREGAT / AGGREGAT DU COMPRESSEUR / COMPLESSIVO DEL COMPRESSORE

SERVICE CONDITIONS : INTERMITTENT SERVICE S3  
AMBIENT TEMPERATURE : -40°C...+80°C  
STORAGE TEMPERATURE FROM LAGERTEMPERATUR VON : -40°C...+90°C  
SHORT TERM RESISTANCE TO HEAD : 1 h; +10°C ( WITHOUT FUNKTION )  
RESISTANCE A LA CHALEUR A COURTE DUREE : ( SANS FONCTION )  
RESISTANZA AL CALORE BREVE TEMPO SOLO : ( SENZA FUNZIONE )



WABCO product information table including: Doc. Code (415 403 300 0), Date (2022-10-26), and Part No. (415 403 300 0).