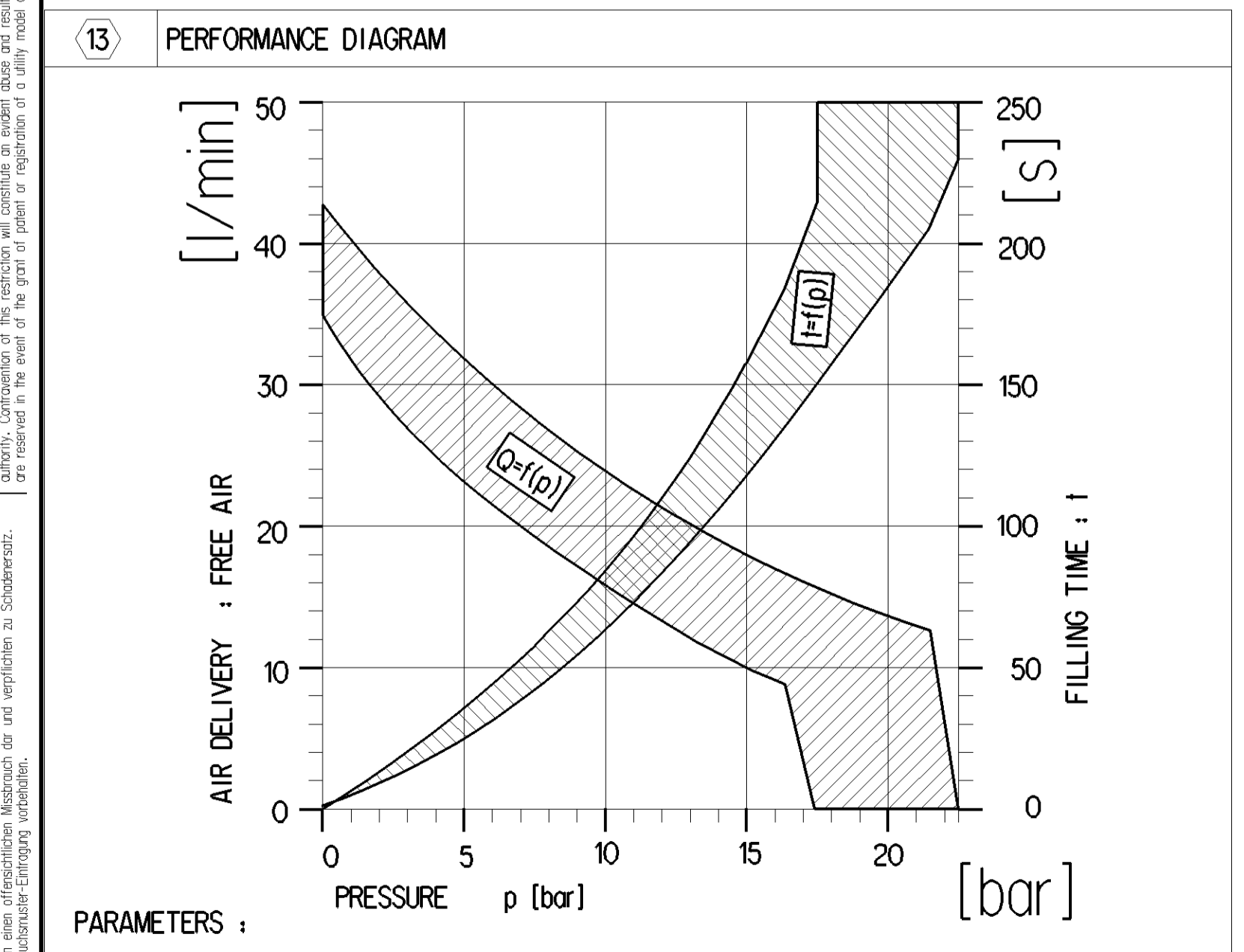
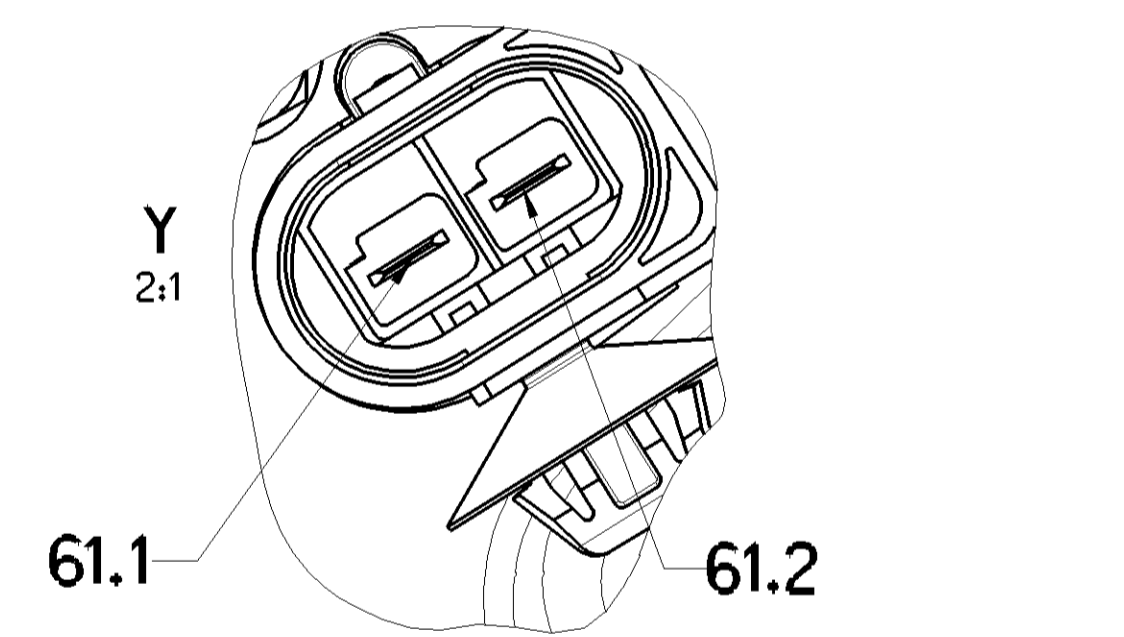
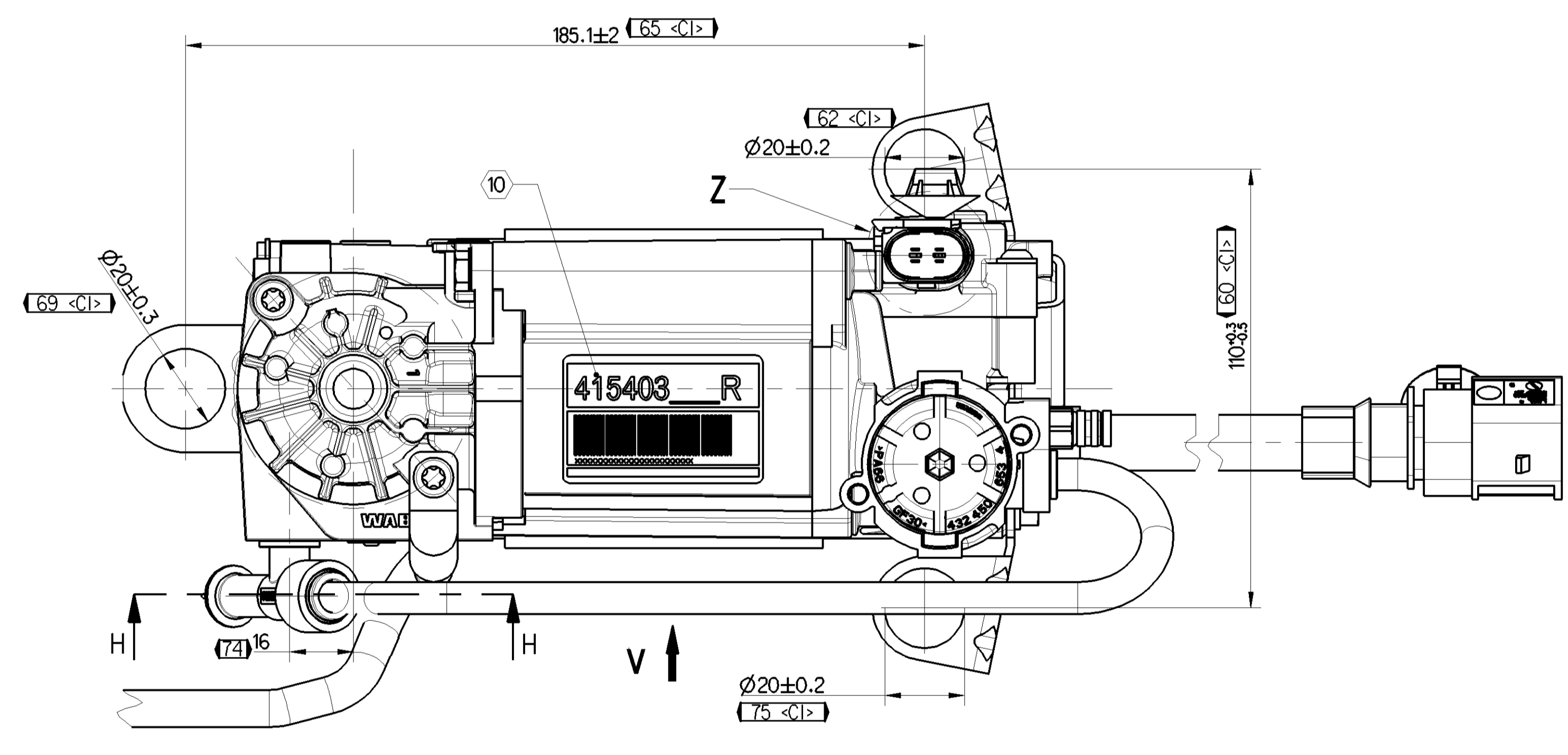
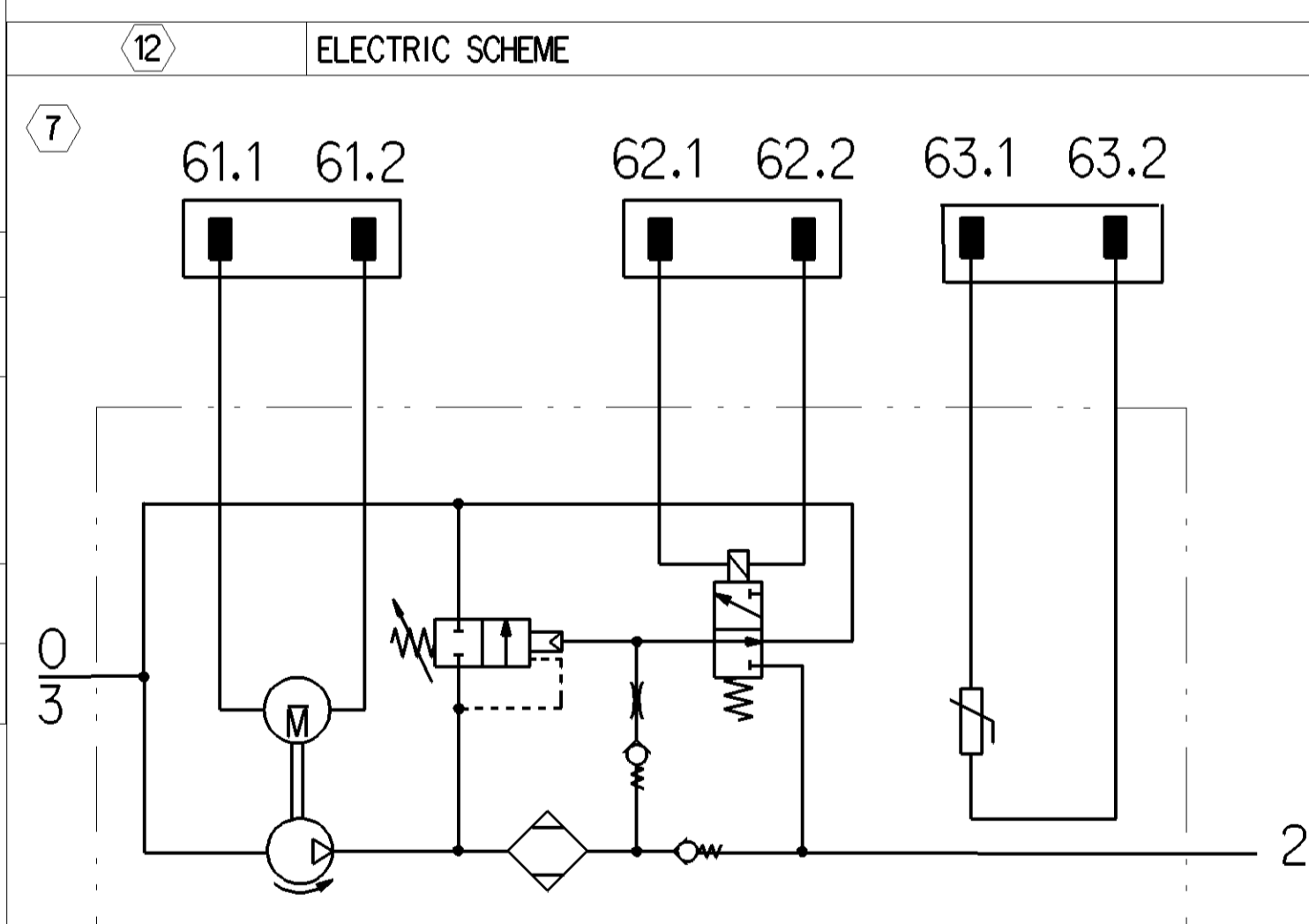
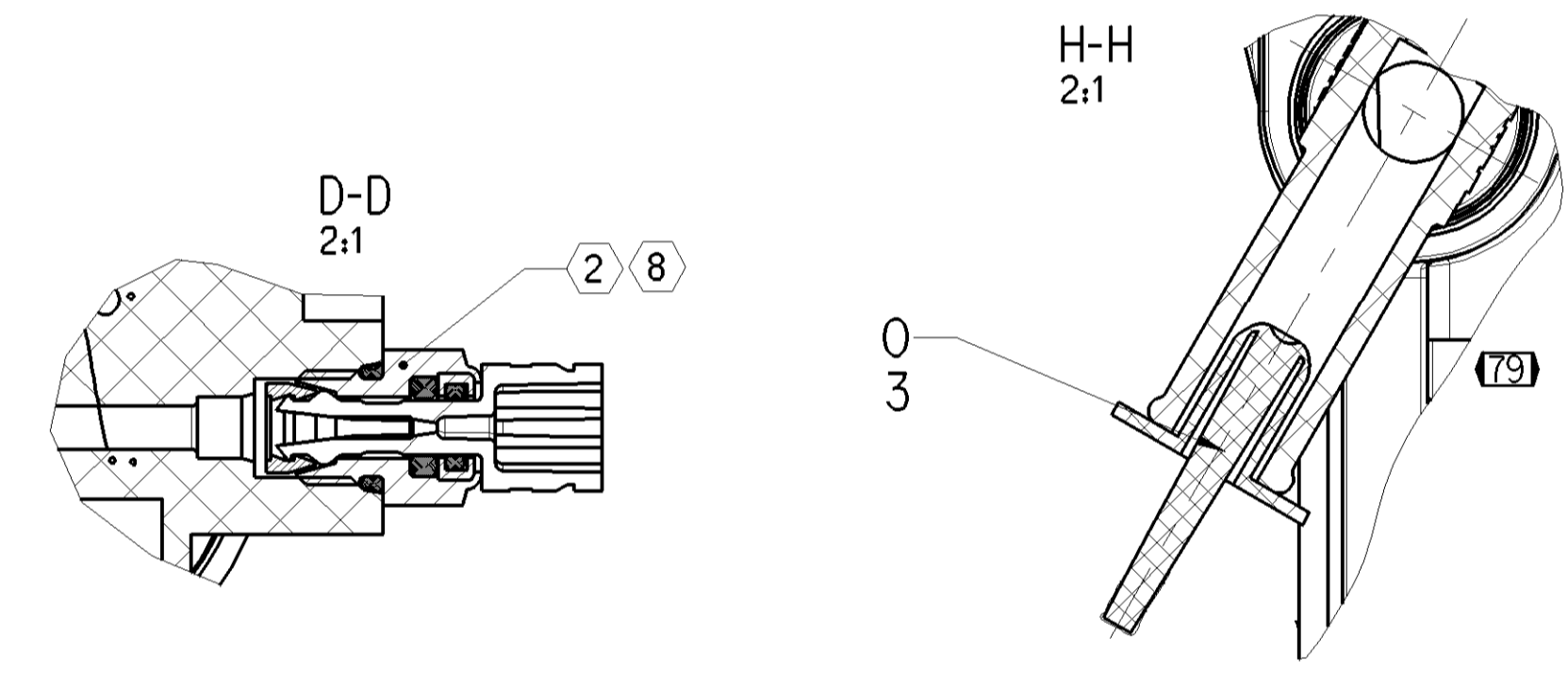


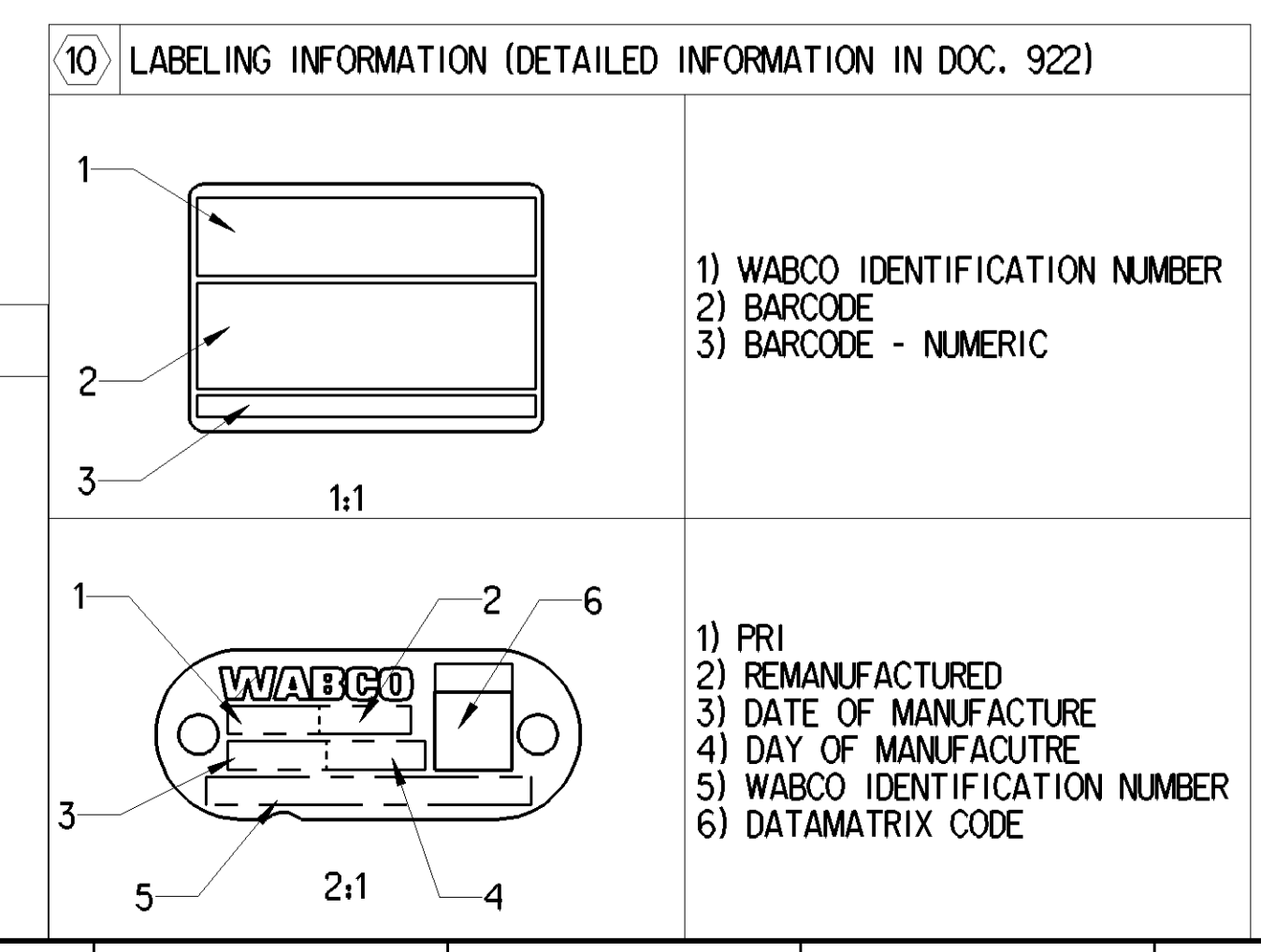
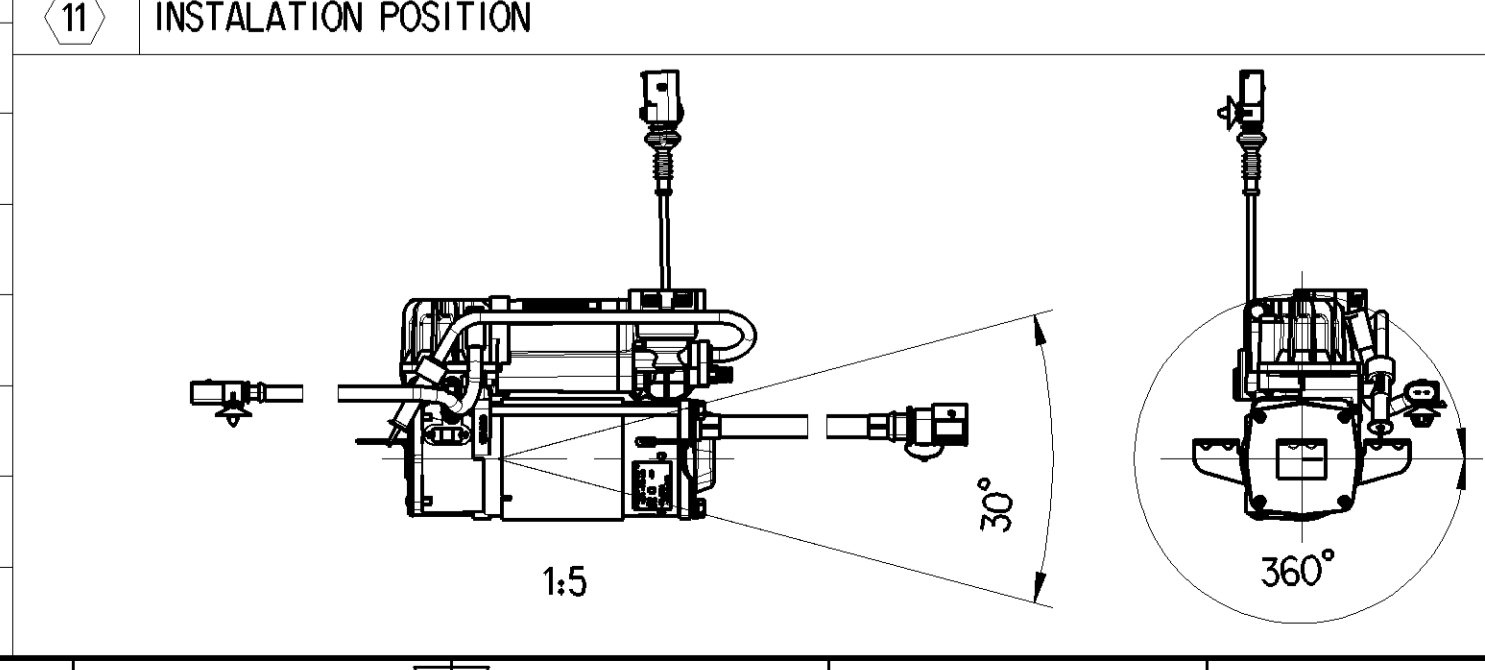
ALTERNATIVE DESIGN PERMISSIBLE
 AUSFÜHRUNG ALTERNATIV ZULÄSSIG
 REALISATION ALTERNATIV ADMISSIBEL
 SOLUZIONE ALTERNATIVA AMMESSA

TECHNICAL DATA	COMPRESSOR	SOLENOID	TEMPERATURE SENSOR
TYPE OF CURRENT :	DIRECT CURRENT	DIRECT CURRENT	4.875...5.125 V
OPERATING VOLTAGE : U_N	9...16V	9...16V	
NOMINAL VOLTAGE : U_N	12V	12V	5V
RATED CURRENT :		$I_N = 0.75A$	
MAXIMAL CURRENT INTENSITY: I_{max}	(U=12V; $t=23\pm5^\circ C$; $p<10$ bar)	$I_{effS} \geq 390mA$ $I_D \leq 470mA$ PEAK AND HOLD	
DEGREE OF PROTECTION ACCORDING TO IEC 529	IP68	IP68	IP68
DEGREE OF PROTECTION ACCORDING TO DIN 40050	IP6K7 IP6K6	IP6K7 IP6K6	IP6K7 IP6K6
DUTY CYCLE : (U=13V) $p<10$ bar	10% ED / 10min ($t=23\pm5^\circ C$) 7% ED / 10min ($t=55\pm5^\circ C$)	33.3% ED / 5min ($t=-40...+80^\circ C$) 100% ED ($t=-40...+100^\circ C$) PEAK AND HOLD	100% ED
DYNAMIC PRESSURE LIMITING : p	17.5 \pm 0.5 bar	-	-
RESIDUAL PRESSURE : p	\pm 1.5 bar	-	-
CHEMIC RESISTANCE	-	-	0.297 k Ω in +140 °C 1.084 k Ω in +90 °C 10.470 k Ω in +25 °C 301.500 k Ω in -40 °C
MEASURING RANGE	-	-	-40 °C ... +140 °C
THERMO COUPLE	-	-	NTC-THERMISTOR



0	INLET :	COMPRESSOR AGGREGATE
2	DISCHARGE PORT :	COMPRESSOR AGGREGATE
2.1	DISCHARGE PORT	-
2.2	TIRE INFLATION CONNECTION	-
3	EXHAUST :	COMPRESSOR AGGREGATE
61	ELECTRICAL CONTROL :	COMPRESSOR AGGREGATE
	TYPE DESIGNATION :	AMP NO.: 1-966703-1
	MATING PART :	FEP NO.: 42036100
61.1	EARTH CONNECTION :	(TERMINAL 31)
	CONNECTION PLUS :	(TERMINAL 30)
62	ELECTRICAL CONTROL :	SOLENOID VALVE
	TYPE DESIGNATION :	AMP - NO. 1-966876-2
	MATING PART :	VW 140 973 722 A FEP 420 348 00
63	ELECTRICAL CONTROL :	TEMPERATURE SENSOR
	TYPE DESIGNATION :	AMP - NO. 1-966867-1
	MATING PART :	VW 140 973 722 A FEP 420 348 00

SERVICE CONDITION INTERMITTENT DUTY :	S3
AMBIENT TEMPERATURE :	-40 °C...+100 °C
STORAGE TEMPERATURE :	-40 °C...+100 °C
SHORT TERM RESISTANCE TO HEAT :	MAX. t_h +110 °C (WITHOUT FUNCTION)
LUBRICATION COMPRESSOR :	DRY RUNNING
WORKING MEDIUM :	AIR
SURFACE PROTECTION	240 h SALT SPRAY (DIN 50021SS)



- PUT-IN TO STOP
- REMOVE CAP
- TORQUE $M = 2 \pm 0.5$ Nm / WIDTH ACROSS FLATS: 10x15 mm ⁽³⁷⁾
- TEMPERATURE SENSOR DEVELOPED LENGTH 355 \pm 10 mm
- STRAIN RELIEF CABLE MAX 100 N
- THICKNESS OF SHEET METAL 0.5-3 mm \pm 0.1 mm
OBLONG HOLE 12.2 X 6.2 mm \pm 0.1
- CONNECTOR SYSTEM ACCORDING TO CUSTOMER SPECIFICATION
WABCO DOES NOT PROVIDE ANY WARRANTY RELATING TO
CONNECTOR-SYSTEM DEFECTS
- FOR OUTER DIAMETER OF PIPE 4 mm / DIN73378
- SURFACE PROTECTION : RESISTANCE TO CORROSION IN THE
SALT SPRAY TEST TO 240h SST (DIN 50021SS)

General Specification: ISO 8015, ISO 534-1, Size ISO 14405 (P)	Doc. Code: 026	Sheet: 1	To: 23
Further Technical Data: 415 403 308 R	General Tolerances: ISO 2011	Copyright © 2022	WABCO
Class: 11	Dimensions in mm	Material No.	Date of first issue: 2022-04-19
Fine: ± 0.05	11	415 403 308 R	Doc. Code: Language: Sheet
Medium: X ± 0.1	12		005 EN 1/1
Coarse: ± 0.2	13		
Tap: ± 0.1	14		
General: ± 0.2	15		
Surface: ± 0.1	16		
Dimensional tolerances: ± 0.1	17		
Surface finish: $Ra \leq 3.2$	18		
Surface texture: $Rz \leq 12.5$	19		
Surface roughness: $Ry \leq 50$	20		
Surface texture: $Rz \leq 12.5$	21		
Surface texture: $Rz \leq 12.5$	22		
Surface texture: $Rz \leq 12.5$	23		
Surface texture: $Rz \leq 12.5$	24		