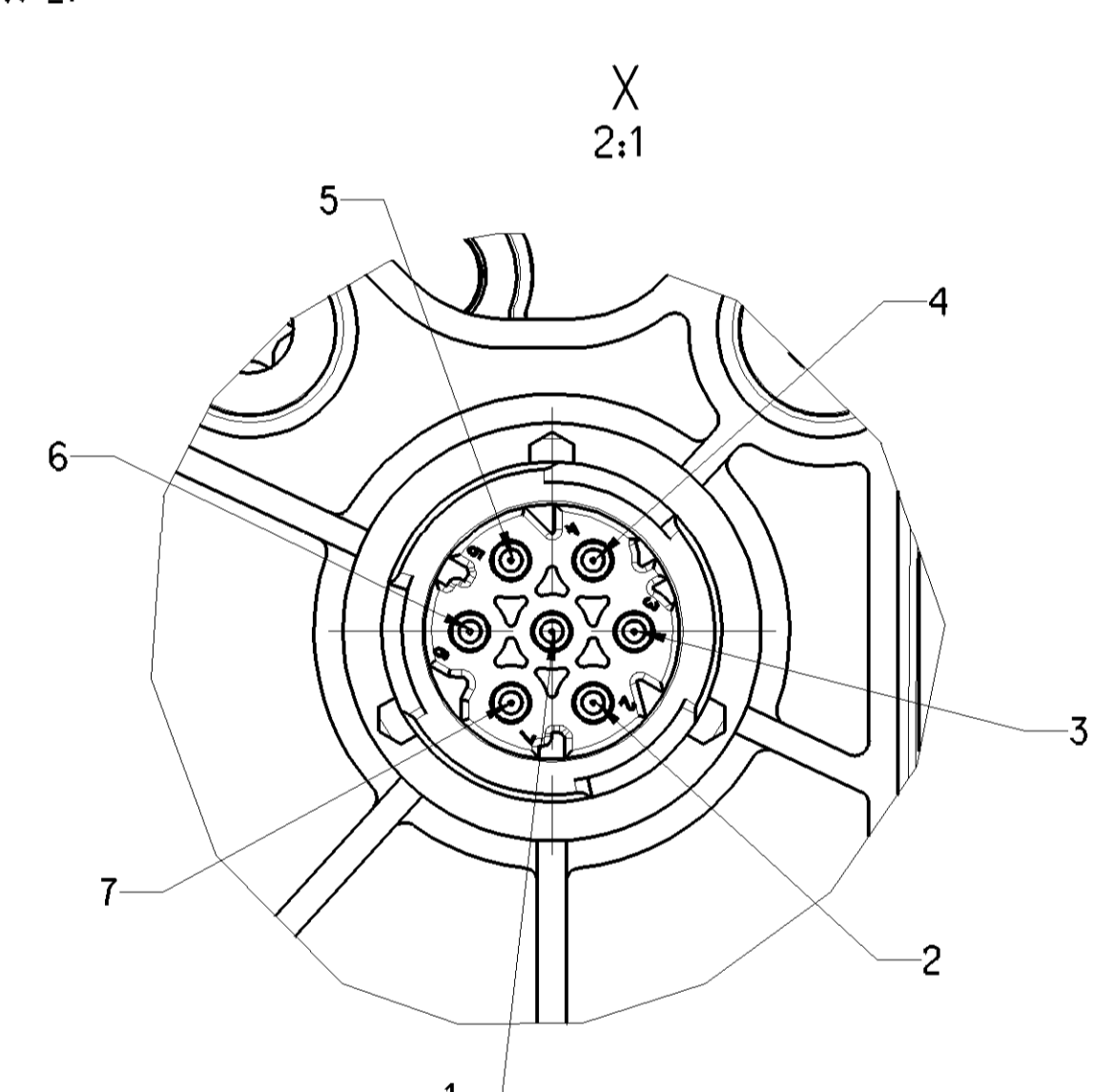
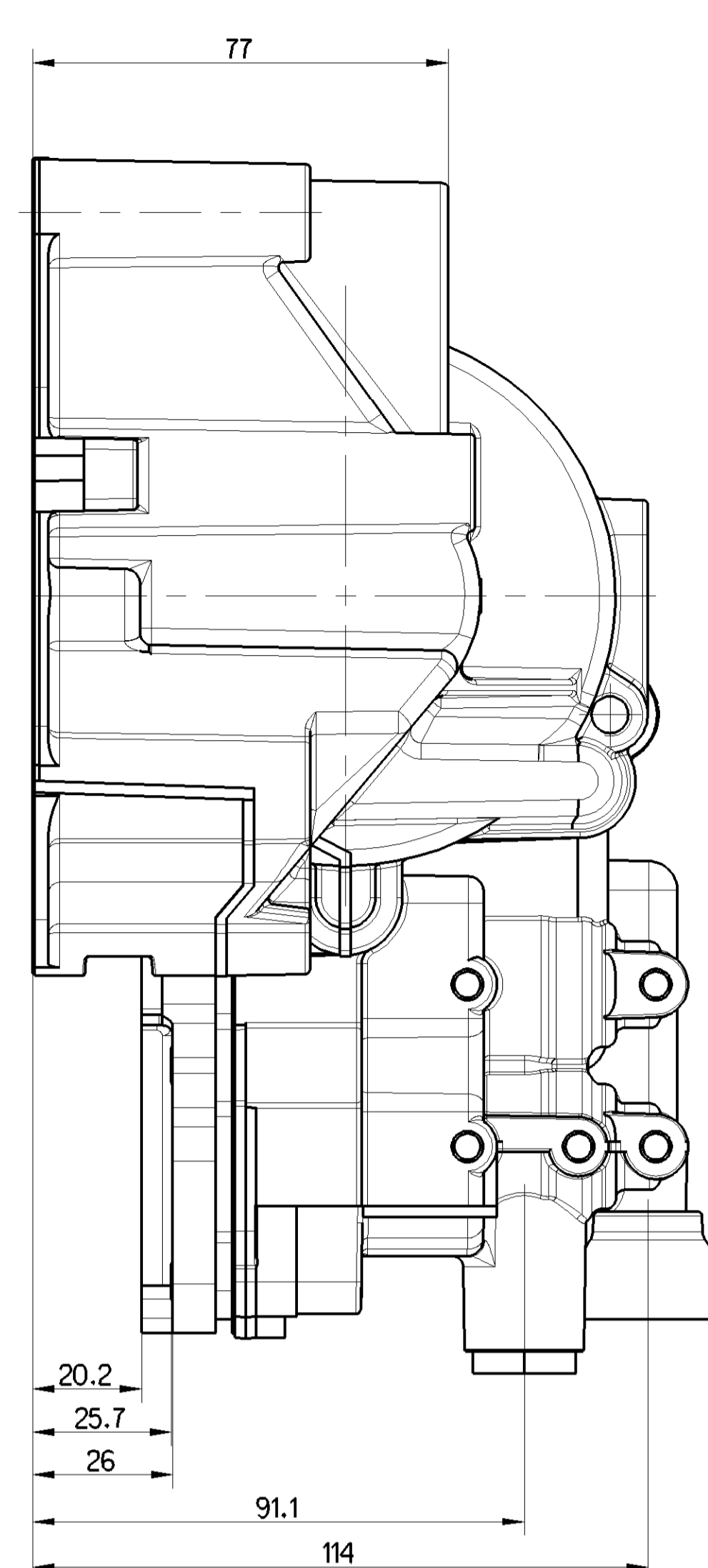


PERMISSIBLE CLEANLINESS CLASS: JED-593 CLASS III
 ANTI-FRETTING CORROSION GREASE USED ON ELECTRICAL CONNECTORS FOR DISTANCE SENSOR.

64 connector WABCO Nr. 894 110 312 2, Rev. _1



* VALID FOR FIT HOLE



INSTALLATION POSITION : OPTIONAL

N CENTRAL POSITION (AERATED)

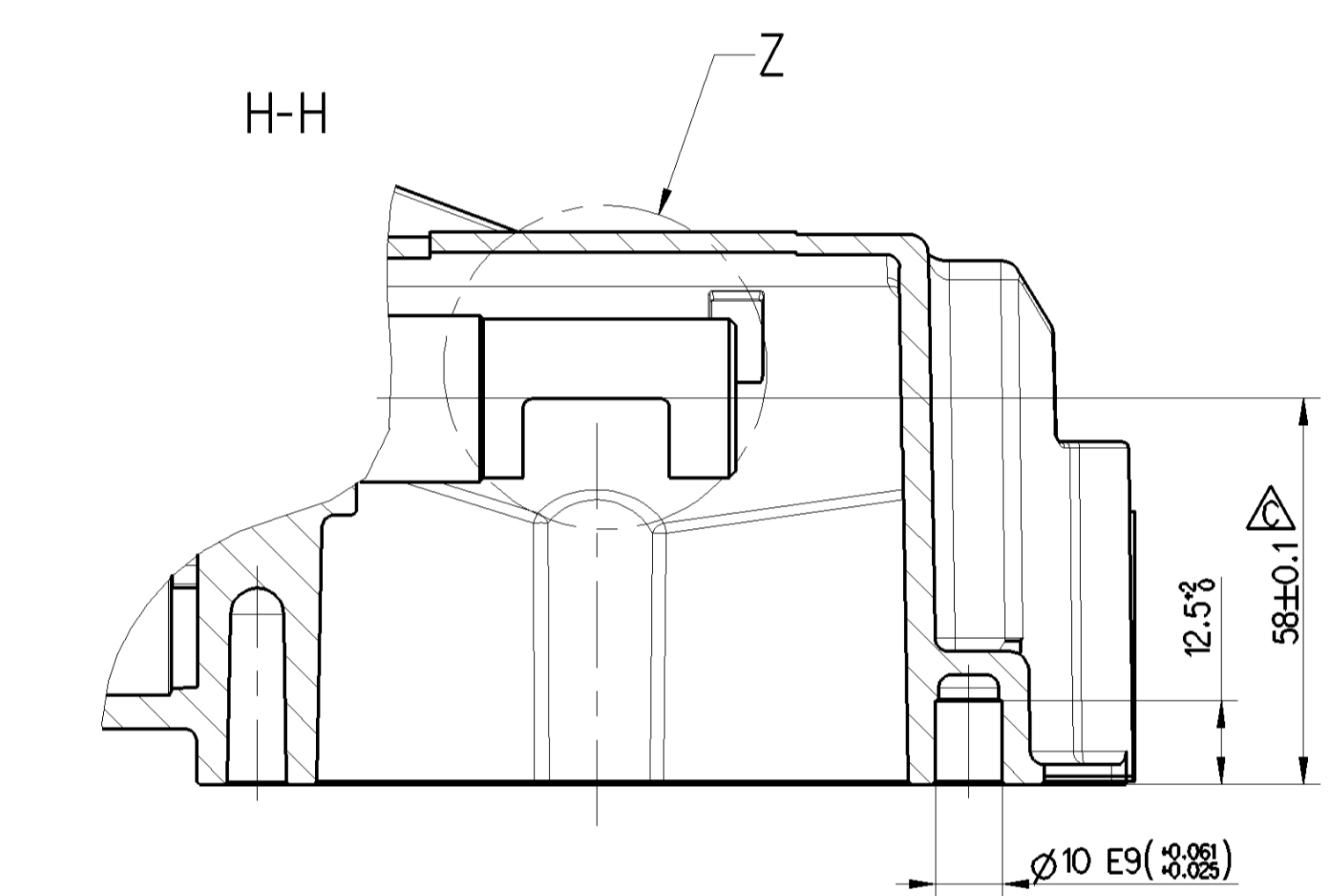
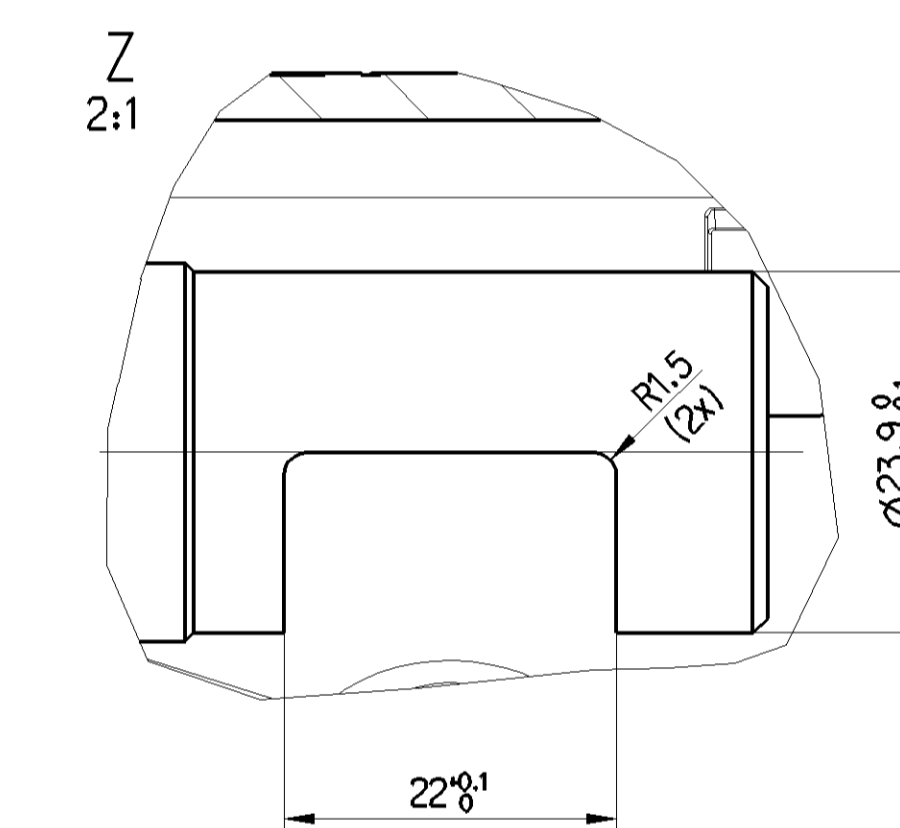
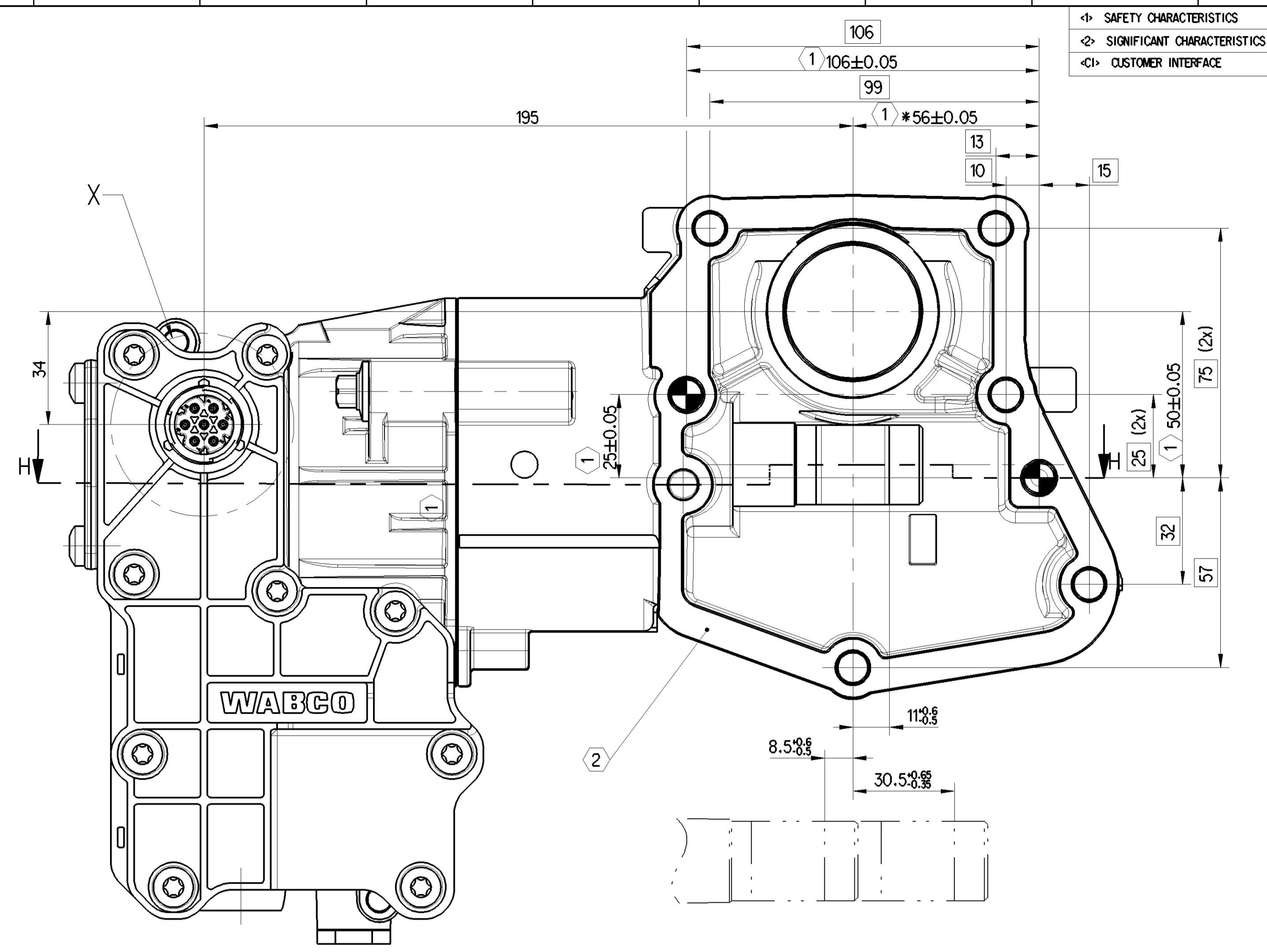
11 SUPPLY OF ENERGY

32 EXHAUST

64 ELECTRICAL CONTROL

2 MAX PERMISSIBLE ACCORDING TO JED-588: 3.2 / 2.3

POS.	NAME
7	MUE
6	MGE
5	SGG
4	SGG
3	MGB
2	MUB
1	MV Gnd



TECHNICAL DATA

WORKING MEDIUM : AIR

THERMAL RANGE OF APPLICATION : -35°...+130°

RELATIVE DUTY CYCLE : 25%

NOMINAL CURRENT AT ROOM TEMPERATURE : 0.4 A /MAGNET

VOLTAGE : 24^{±5} V DC

TYPE OF CURRENT : DIRECT CURRENT

DEGREE OF PROTECTION: IP 69K

PROTECTION CLASS : III

Test in accordance with Test Instruction 421 350 088 O Doc Code 023

WORKING PRESSURE (SUPPLY) : Pe + 4.5....10bar

MIN. FLOW PASSAGE /NOMINAL DIAMETER)

PORT 11: VOSS NG 8 18.1mm□ (-φ4.8mm)

3/2 SOLENOID MGG/MUB SUPPLY : 18.1mm□ (-φ4.8mm)
 EXHAUST : 18.1mm□ (-φ4.8mm)

Further Technical Data		Date		Copyright	
Doc. Code: 421 350 088		2023-09-26		Sinters	
General Tolerances: ISO 2011		2023-09-26		Sinters	
Range of nominal dimensions in mm		4.1		1:1 (2:1)	
Class	11 ± 50	180 ± 400	1:1		
Fine	±0.05	±0.1	±0.15		
Medium	±0.1	±0.2	±0.3		
Coarse	±0.2	±0.3	±0.5		
Tapped Holes acc. to ISO 2265		A 0		CREO	
Tolerances (ISO 2265)		421 350 088 O		005 ML 1/1	
Material No.		Sinters		Date of first issue: 2014-10-15	
Doc. Code: 421 350 088		Sinters		Doc. Code: 421 350 088	
Revision: 1		421 350 088 O		6463	
Drawing for: 3 POSITION CYLINDER		421 350 088 O		6463	