

TECHNICAL DATA
 TECHNISCHE DATEN
 CARACTERISTIQUES TECHNIQUES
 CARATTERISTICHE TECNICHE

WORKING MEDIUM :AIR
 ARBEITSMEDIUM : LUFT
 FLUIDE D'UTILISATION: AIR
 FLUIDO DI ESERCIZIO : ARIA

THERMAL RANGE OF APPLICATION :
 THERMISCHER ANWENDUNGSBEREICH: -35*....+130*
 GAMME D'APPLICATION THERMIQUE:
 CAMPO TERMICO D'APPLICAZIONE :

WORKING PRESSURE (SUPPLY)
 BETRIEBSDRUCK (VORRAT)
 PRESSION D'UTILISATION (ALIMENTATION)
 PRESSIONE DI ESERCIZIO (ALIMENTAZIONE) :

VOLTAGE :
 SPANNUNG : 24⁺⁶₋₂ V
 VOLTAGE :
 VOLTAGGIO :

TYPE OF CURRENT :DIRECT CURRENT
 STROMART :GLEICHSTROM
 NATURE DE COURANT :COURANT CONTINU
 NATURA DELLA CORRENTE :CORRENTE CONTINUA

RELATIVE DUTY CYCLE
 RELATIVE EINSCHALTDAUER : 25%
 TAUX DE TRAVAIL (PLAGE D'UTILISATION) :
 DURATE DELL'INSERIMENTO :

NOMINAL CURRENT AT ROOM TEMPERATURE
 NENNSTROM BEI RAUMTEMPERATUR : 0.41 A/MAGNET
 COURANT NOMINAL A LA TEMPERATURE AMBIENTE :
 CORRENTE NOMINAL ALLA TEMPERATURA AMBIENTE :

DEGREE OF PROTECTION:
 SCHUTZART : IP 69K
 DEGRE DE PROTECTION :
 GRADO DI PROTEZIONE :

PROTECTION CLASS :
 SCHUTZKLASSE : III
 CLASSE DE PROTECTION :
 CLASSE DI PROTEZIONE :

MIN. FLOW PASSAGE /NOMINAL DIAMETER
 MIN. DURCHFLUSSOEFFNUNG /NENNWEITE
 MIN. ORIFICE CALIBRE /DIAMETRE NOMINAL
 MIN. PASSAGGIO LIBERO /DIAMETRO NOMINALE)

PORT 12:
 ANSCHLUSS 12: VOSS 230 NGB 9.62mm² (=ø3.5mm MIN)
 ORIFICE 12:
 ORIFIZIO 12:

SUPPLY :
 BELUEFTUNG : 2mm² (=ø1.6)
 ALIMENTATION :
 ALIMENTAZIONE :

EXHAUST :
 ENTLUEFTUNG : 2mm² (=ø1.6)
 ECHAPPEMENT :
 SCARICO :

3/2 SOLENOID MR1/MR2
 3/2 VENTILMAGNET MR1/MR2
 3/2 AIMPANT MR1/MR2
 3/2 SOLENOIDE MR1/MR2

12 SUPPLY OF ENERGY
 ENERGIEZUFUSS
 APPORT D'ENERGIE
 ALIMENTAZIONE DI ENERGIA

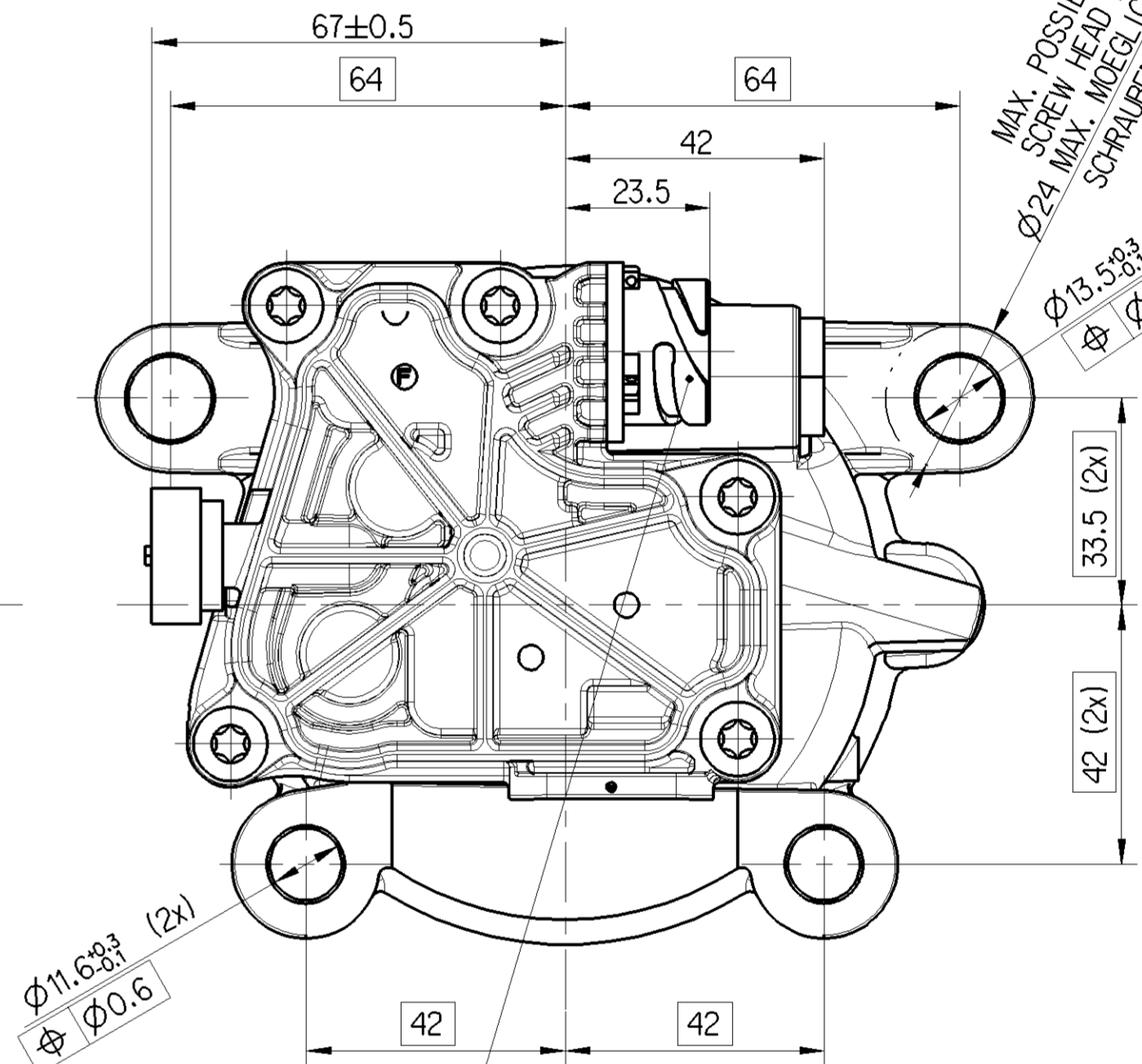
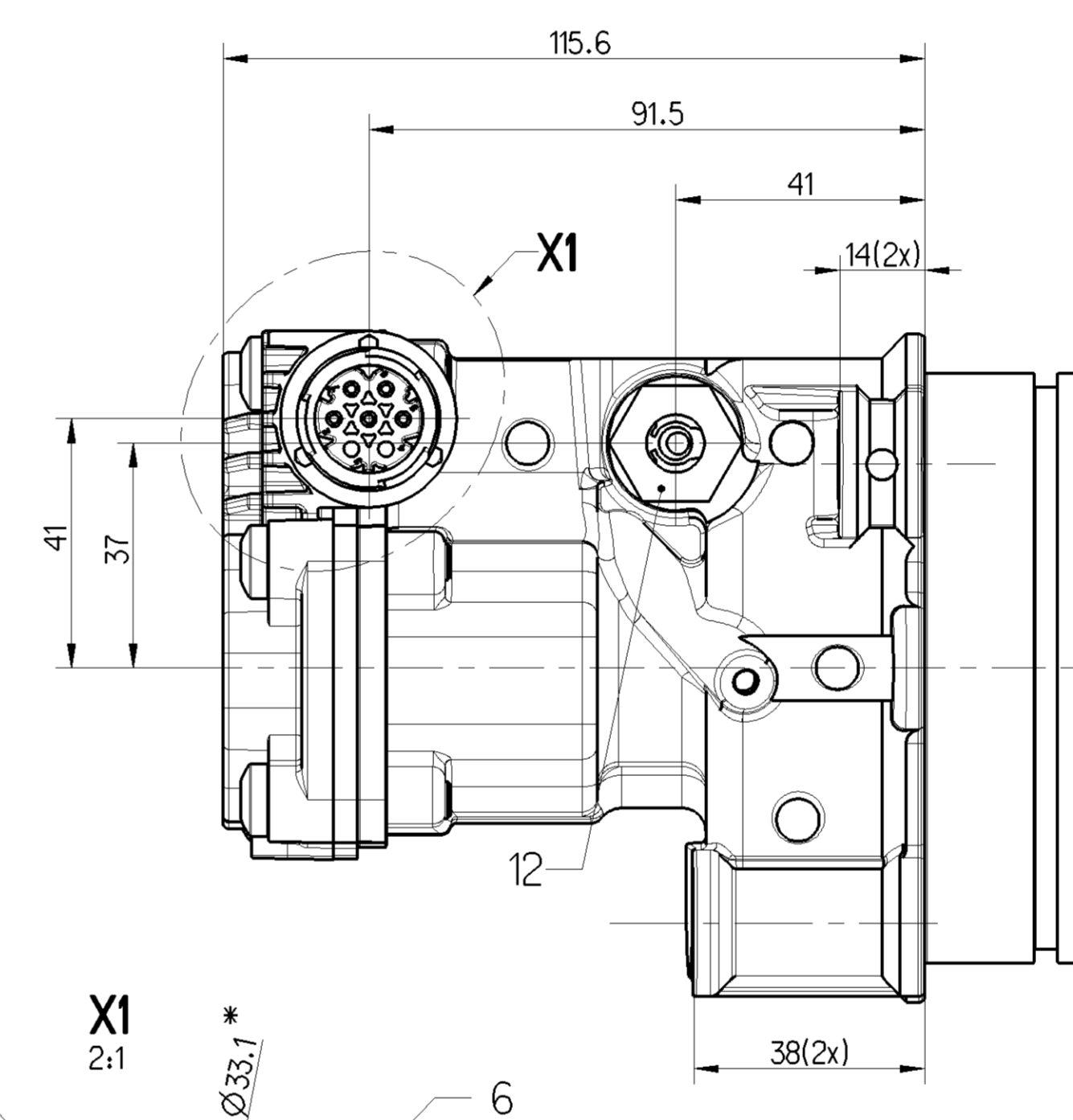
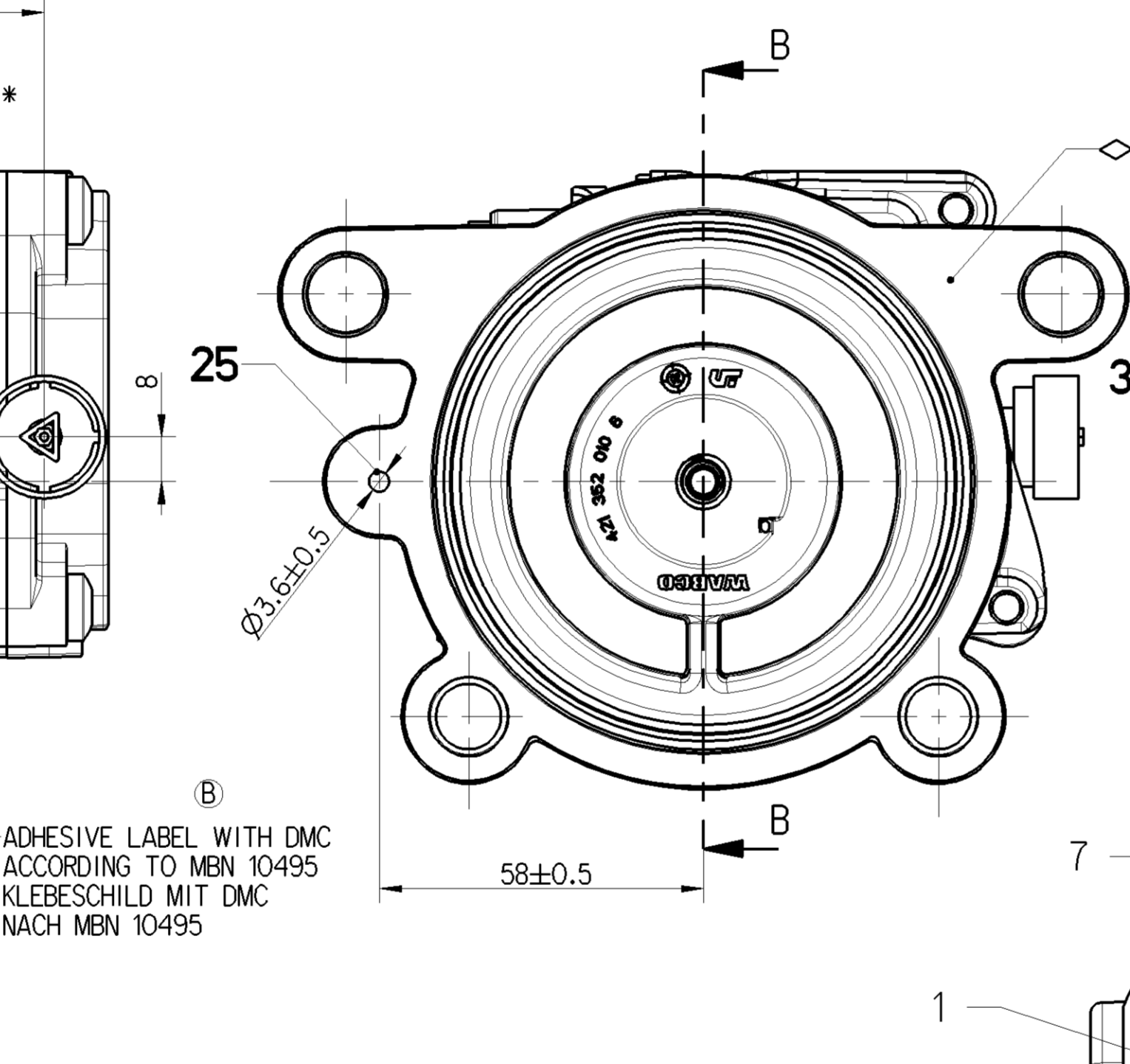
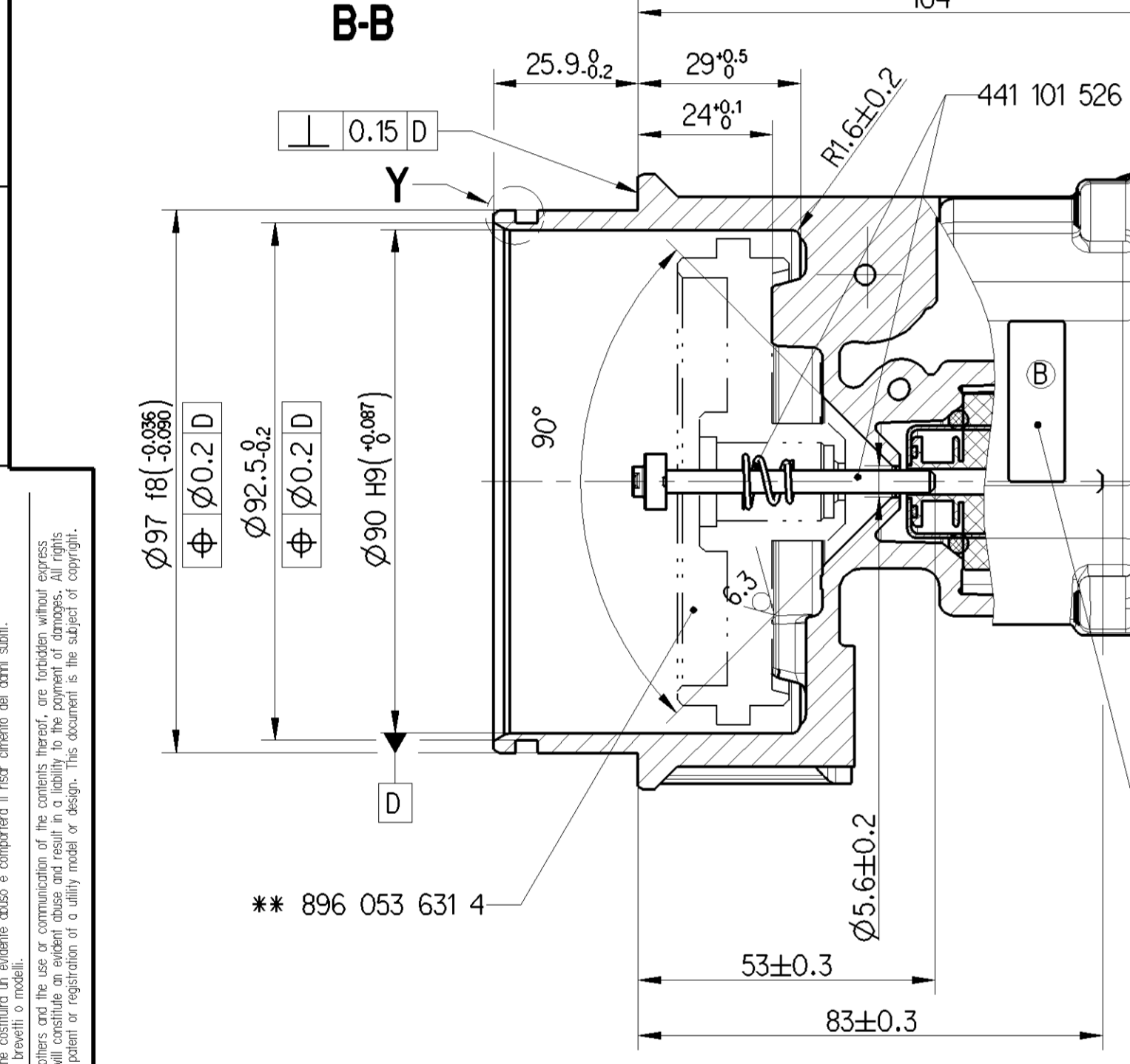
25 DELIVERY OF ENERGY
 ENERGIEABFLUSS
 SORTIE D'ENERGIE
 PORTATA DI ENERGIA

33 EXHAUST
 ENTLUEFTUNG
 ECHAPPEMENT
 SCARICO

65 ELECTRICAL CONTROL
 ELEKTRISCHER STEUERANSCHLUS
 COMMANDE ELECTRIQUE
 COMANDO ELETTRICO

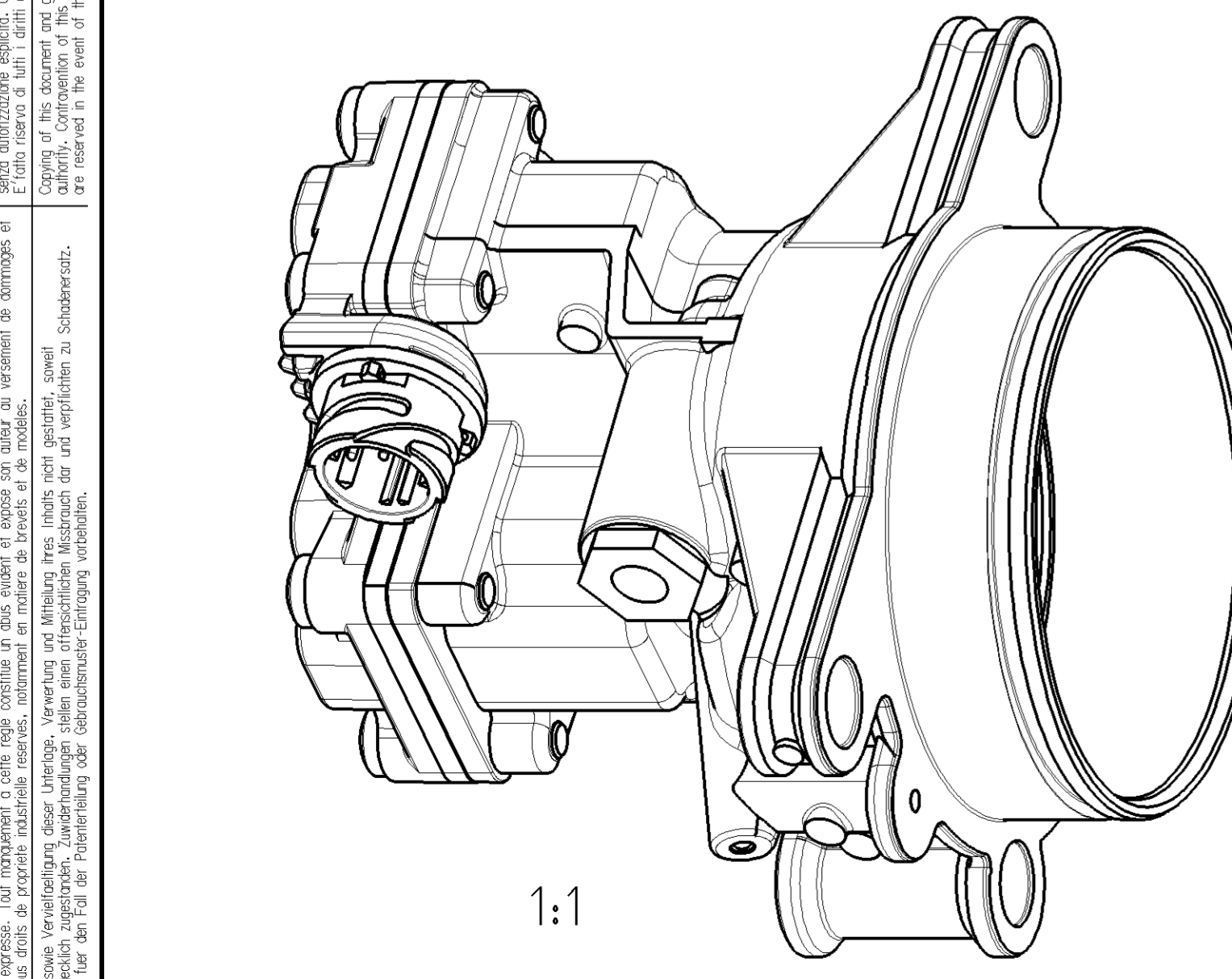
◇ MAX PERMISSIBLE ACCORDING TO JED-588:
 MAX ZULASSIG ENTSPRECHEND JED-588: 3.2 / 2.3
 MAX ADMISSIBLE SUIVANT JED-588:
 MASS AMMISSIBILE JED-588

15° 30° 30° 15°
 1±0.2 3.2 2±0.2 3±0.3
 4±0.2 3.9^{+0.2} 0.8 30°
 Y 5:1



65 connector
 Steckverbinder WABCO Nr. 894 110 312 2, Rev. _1
 connecteur
 connettore

PERMISSIBLE CLEANLINESS CLASS:
 ZULAESSIGE SAUBERKEITSKLASSE: JED-593 CLASS III

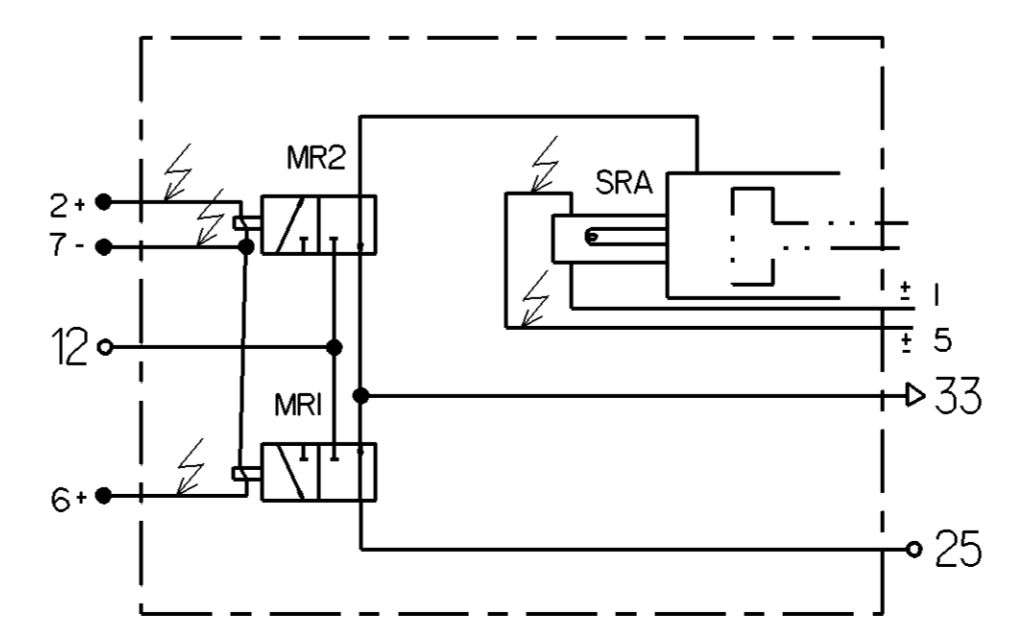


** NOT SUPPLIED
 GEHÖRT NICHT ZUM LIEFERUMFANG
 NON FOURNI PAR
 NON SI FORNISCONO

* MIN. SPACE FREE ACCESSIBLE
 MIN. FREI ZUGÄNLICHER RAUM
 MIN. ESPACE SANS ACCESSIBLES
 MIN. SPAZIO SENZA ACCESSIBILE

GROUPING OF WIRES (ON THE PLUG)
 STECKERBELEGUNG
 GROUPEMENT DE CABLES
 RAGGRUPPAMENTO DEI CAVI (SULLA CALOTTA)

| Pos. | Name |
|------|------------|
| 7 | MV GND |
| 6 | MR 1 |
| 5 | SRA |
| 4 | |
| 3 | |
| 2 | MR 2 |
| 1 | Sensor GND |



| General Specification: | | Copyright WABCO® | | Date | |
|--|----------------|------------------|-------|----------------------|-------|
| JED-334-1, Size ISO 14405 LP | | | | 2015-07-17 | |
| Further Technical Data: | | Doc. Code | | To | |
| | | 2015-07-17 | | 2015-10-12 | |
| General Tolerances JED-261 | | Checked | | Expert | |
| Range of Nominal Dimensions (± mm) | | SIEVERS | | SIEVERS | |
| Class | 1) | ± 0.5 | ± 1.0 | ± 1.5 | ± 2.0 |
| | | ± 0.5 | ± 1.0 | ± 1.5 | ± 2.0 |
| | | ± 1.0 | ± 2.0 | ± 3.0 | ± 4.0 |
| | | ± 2.0 | ± 3.5 | ± 5.0 | ± 6.5 |
| Mass | 1.3 | Scale | | Date of first issue: | |
| Size | 1:1 (5:1; 2:1) | Material No. | | 2007-11-15 | |
| | | 421 352 082 0 | | 005 ML 1/1 | |
| Tapped Holes acc. | | Revision | | Tech. Resp. | |
| | | 3x | | 6460 | |
| 1) Tolerance Class Applied Crossmarked | | ECN-No. | | Replacement for | |
| | | 167731 | | - | |