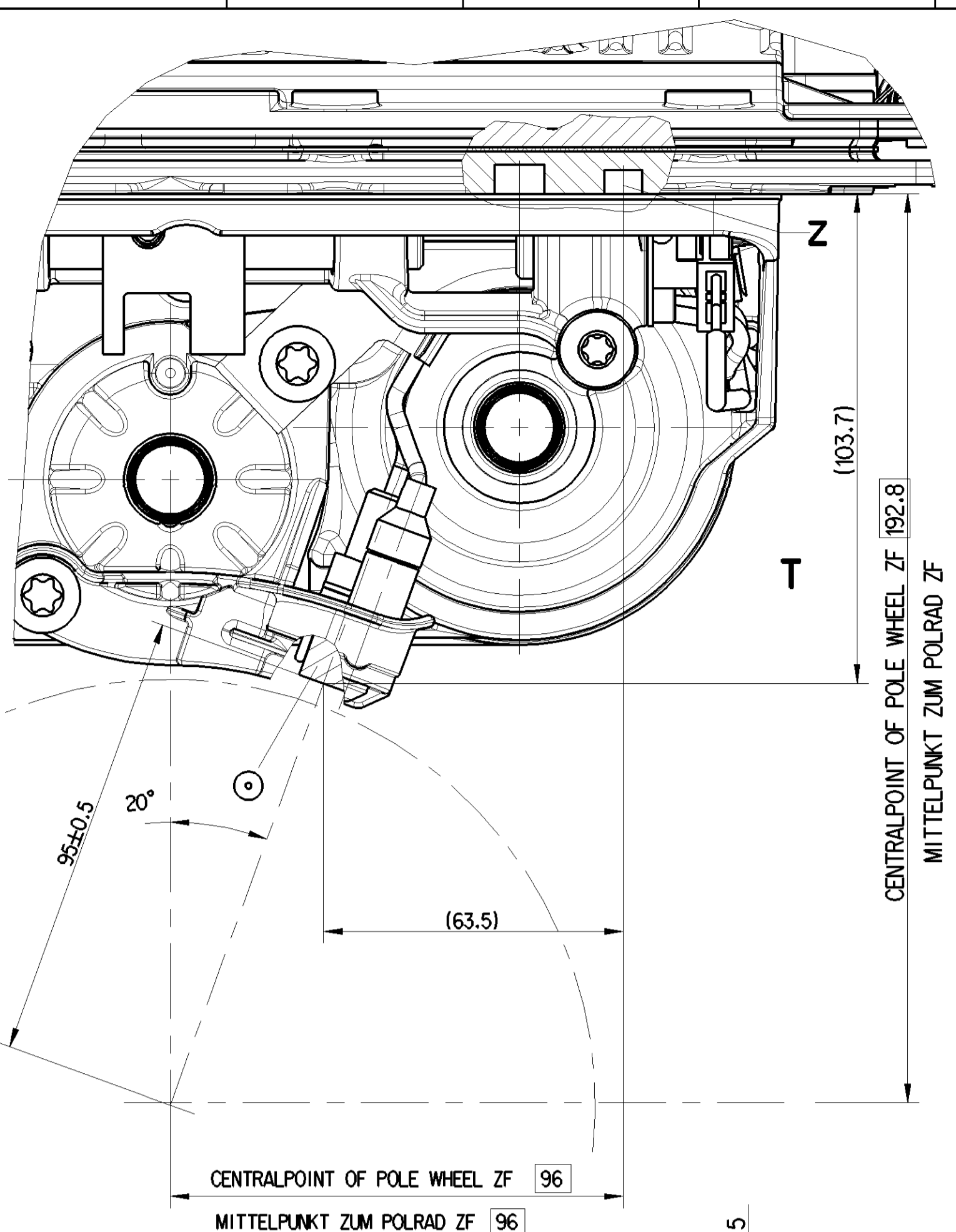
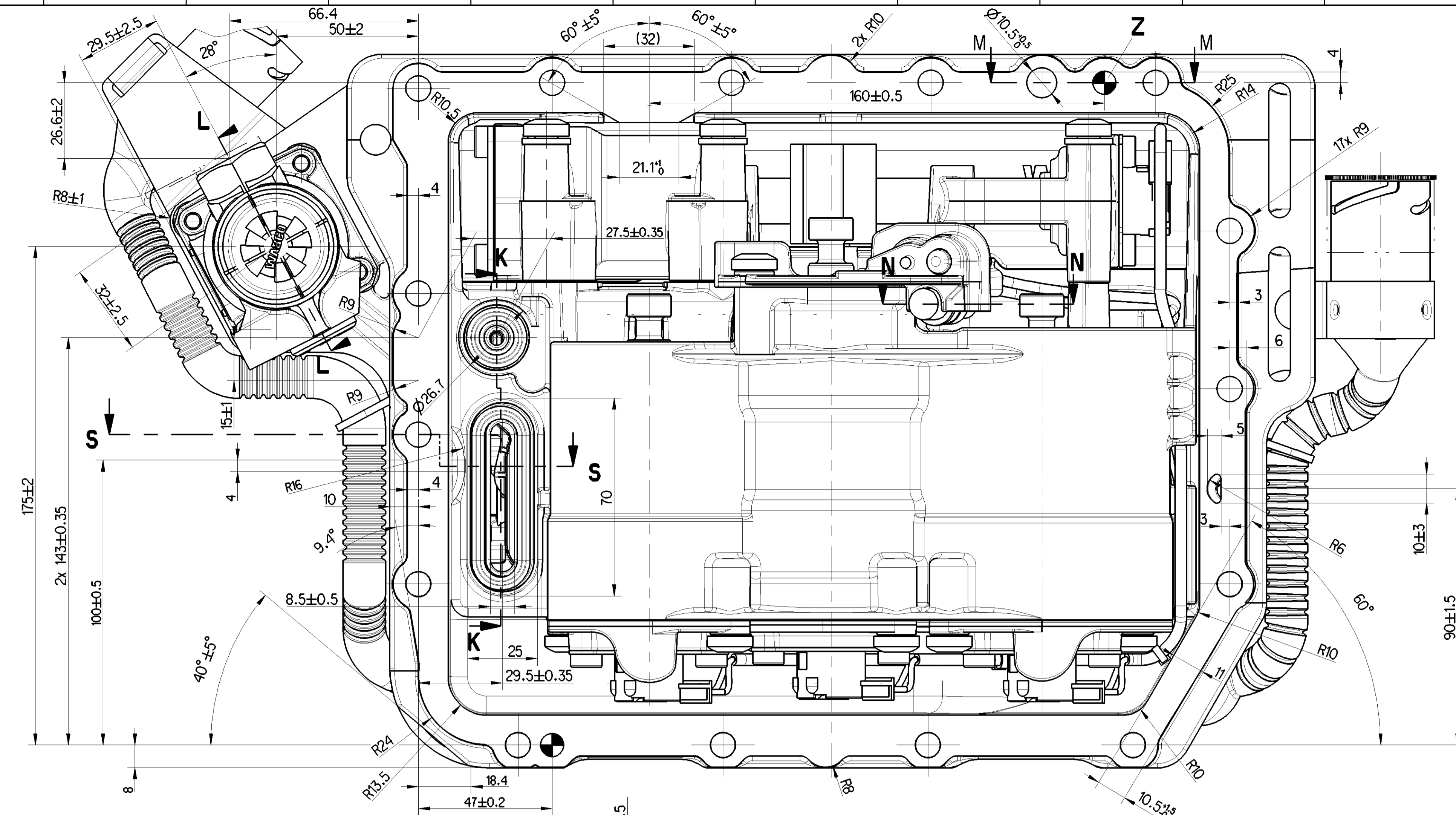
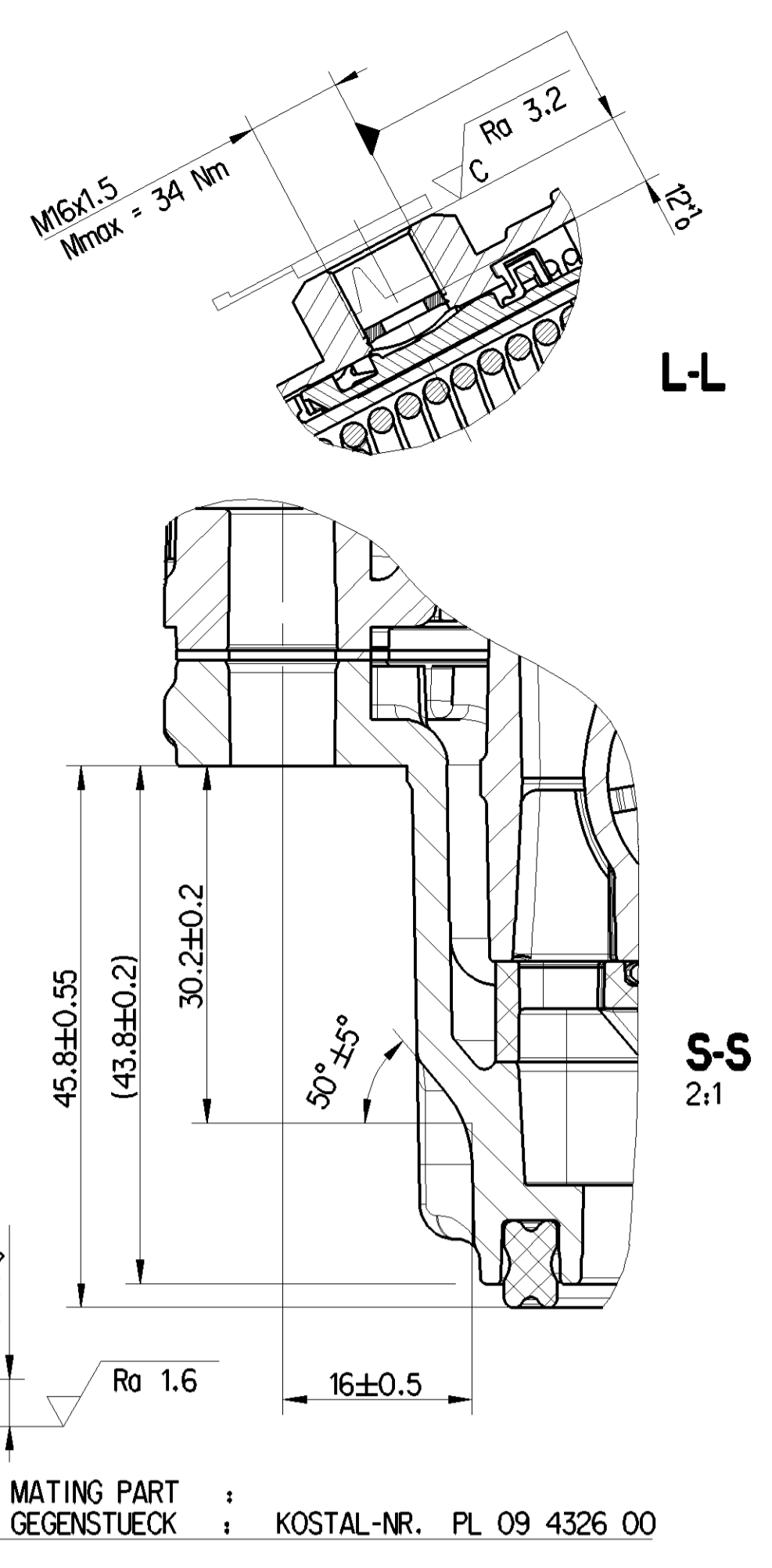


GROUPING OF WIRES (ON THE PLUG)  
STECKERBELEGUNG

| PLUG<br>STECKER 61/X1A |         | PLUG<br>STECKER 62/X1B |       |
|------------------------|---------|------------------------|-------|
| 1                      | VP1     | 1                      | VMGA1 |
| 2                      | S00K    | 2                      |       |
| 3                      | CANF2-H | 3                      |       |
| 4                      | VPE1    | 4                      |       |
| 5                      | VPE2    | 5                      |       |
| 6                      | CANF2-L | 6                      | VMGA2 |
| 7                      | SDEF    | 7                      | ADS1  |
| 8                      | CANF1-H | 8                      | ADS3  |
| 9                      | SD      | 9                      | ADS2  |
| 10                     | SDP     | 10                     | EU    |
| 11                     | ADVP    | 11                     | EF2   |
| 12                     | CANF1-L | 12                     | ADS4  |
| 13                     | CANF1-L | 13                     |       |
| 14                     | CANF1-H | 14                     |       |
| 15                     | CANF1-T | 15                     | AU    |
| 16                     | VM1     | 16                     | VM1   |
| 17                     | VM2     | 17                     | VM2   |
| 18                     | VMF1    | 18                     | ADVP  |



**TECHNICAL DATA**  
TECHNISCHE DATEN

WORKING MEDIUM : AIR  
ARBEITSMEDIUM : LUFT

TERMAL RANGE OF APPLICATION :  
UMGEBUNGSLUFTTEMPERATUR : -30°C ... MAX. 95°C

FLANGE TEMPERATURE : -30°C BIS 120°C  
FLANSCHTEMPERATUR : MAX 0,5h / 10% OF LIFETIME ... 130°

WORKING PRESSURE (SUPPLY) :  
BETRIEBSDRUCK (VORRAT) :  $p_e \leq 5,5 \dots 12 \text{ bar}$

DEGREE OF PROTECTION ACCORDING TO IEC 529 :  
SCHUTZART NACH IEC 529 : IP 6K3K NACH DIN 40050 T9

VOLTAGE :  
SPANNUNG : 24V  $\pm 5\%$

SOFTWARE-VERSION : 2.04  
SOFTWARE P1 : 246 180 030 2 / DOC CODE 090  
SOFTWARE P2 : 246 180 031 2 / DOC CODE 090  
HARDWARE : 446 180 104 2 / DOC CODE 010 INDEX 0

PASSIVE SPEED SENSOR  
PASSIVER DREHZAHLSSENSOR

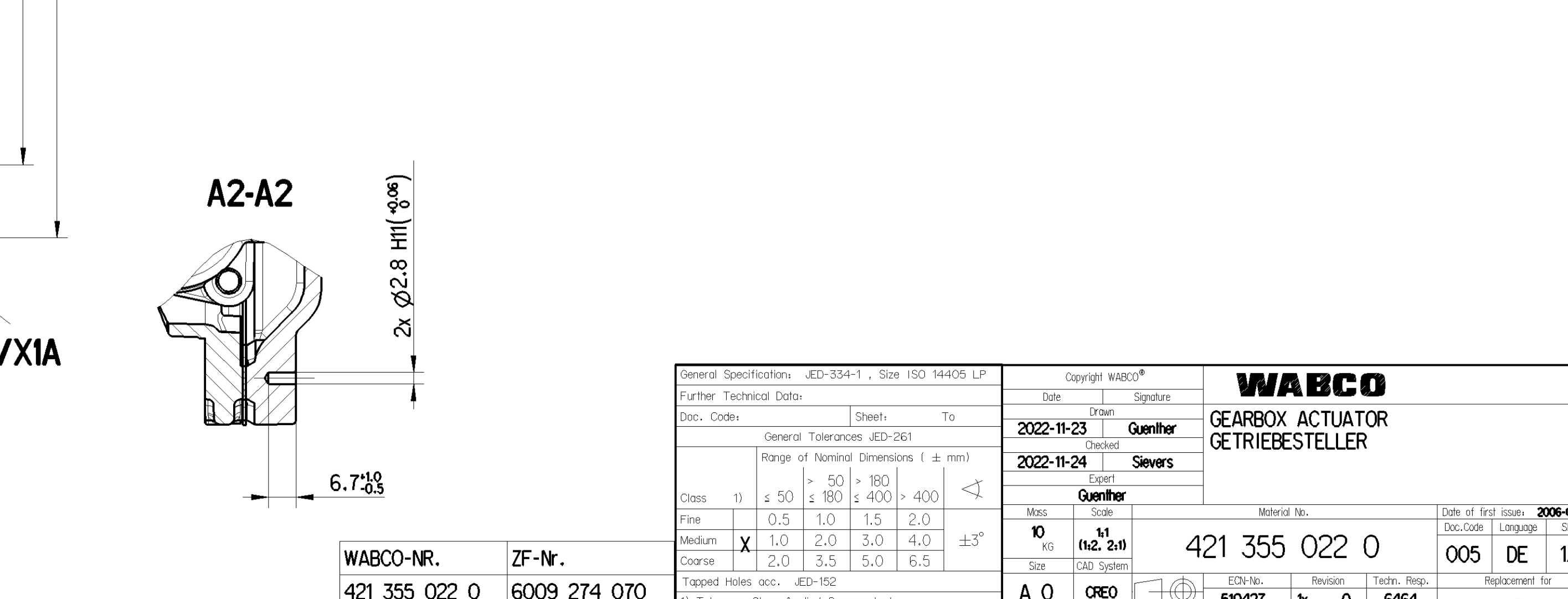
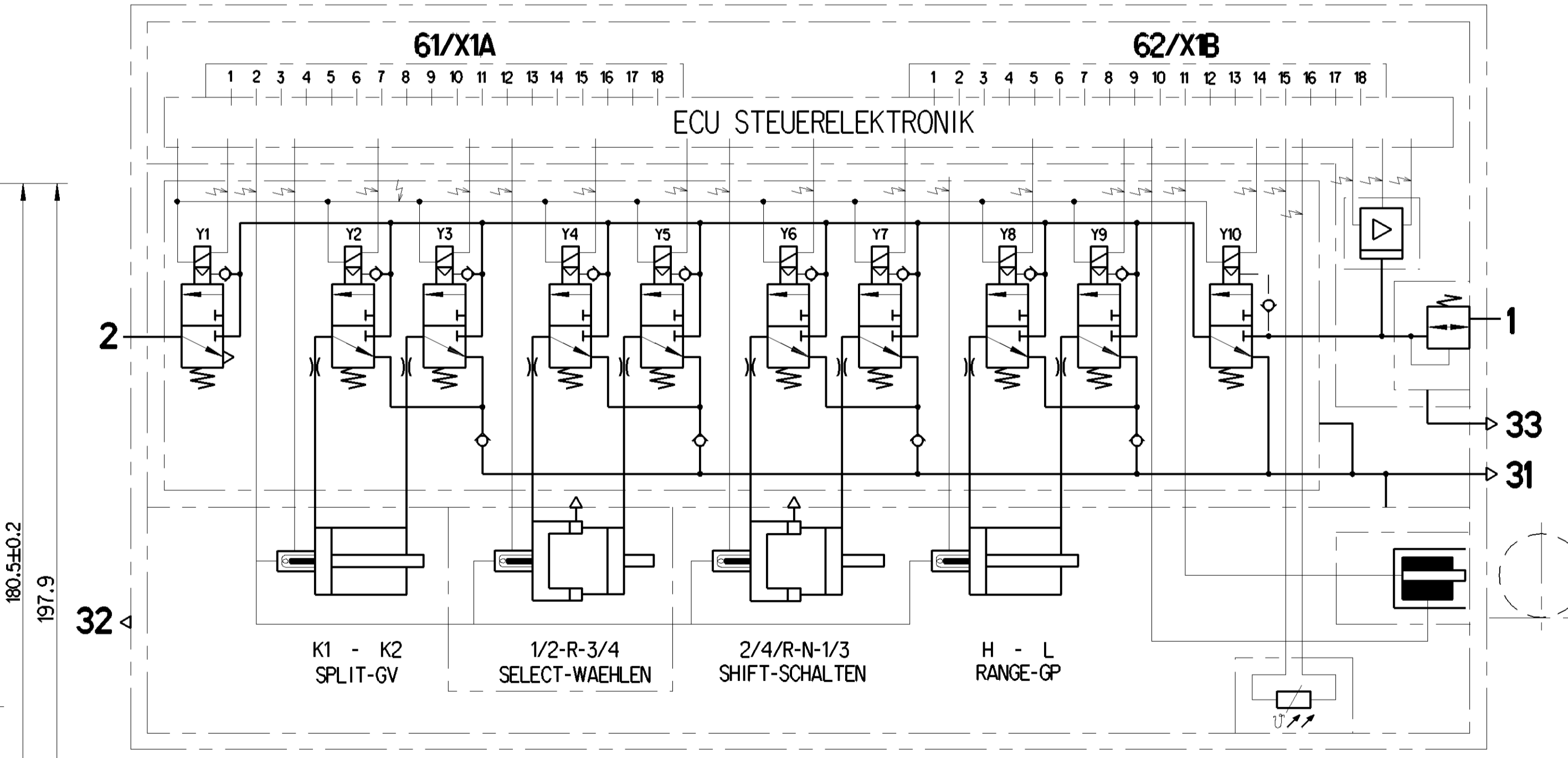
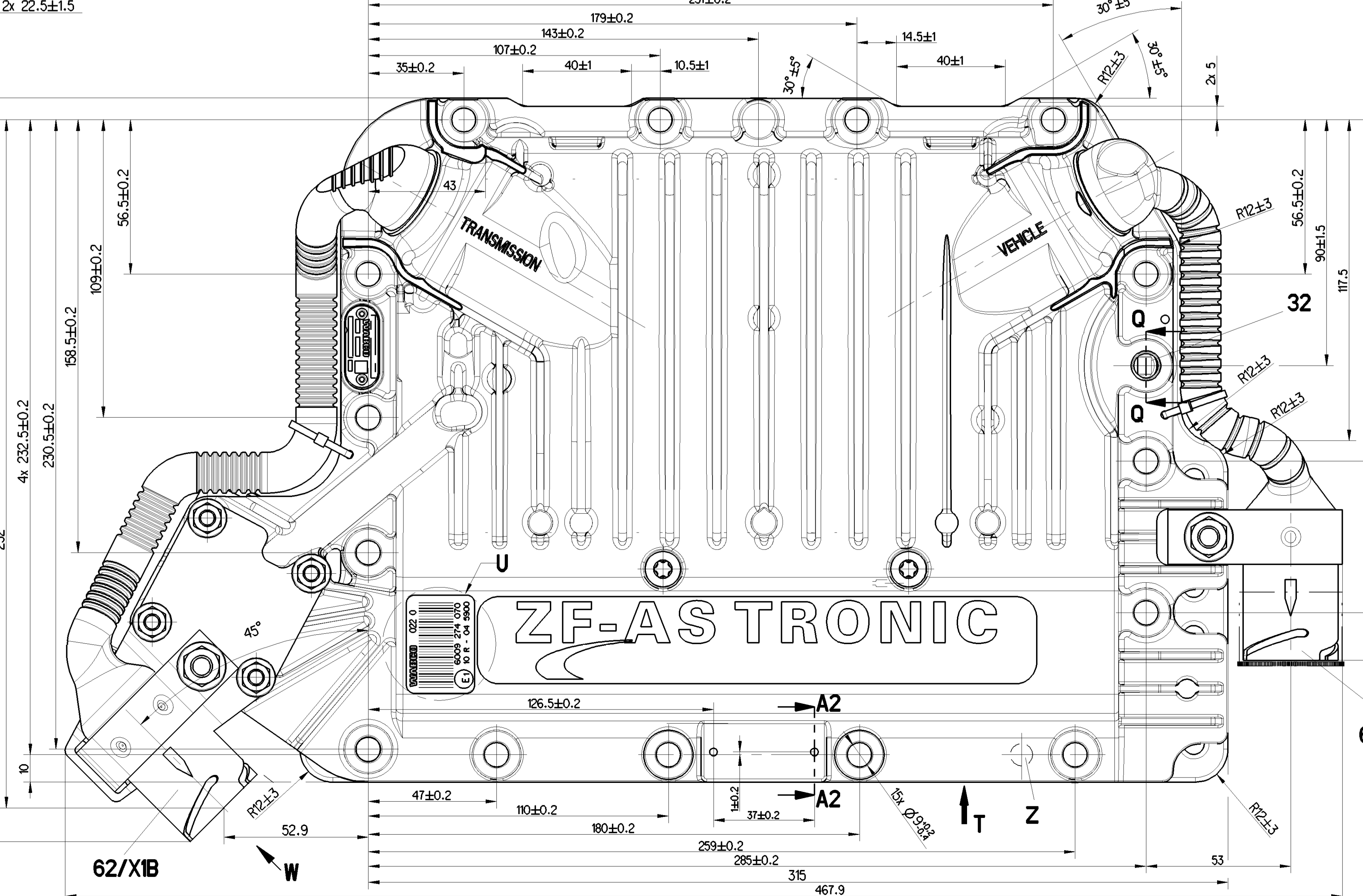
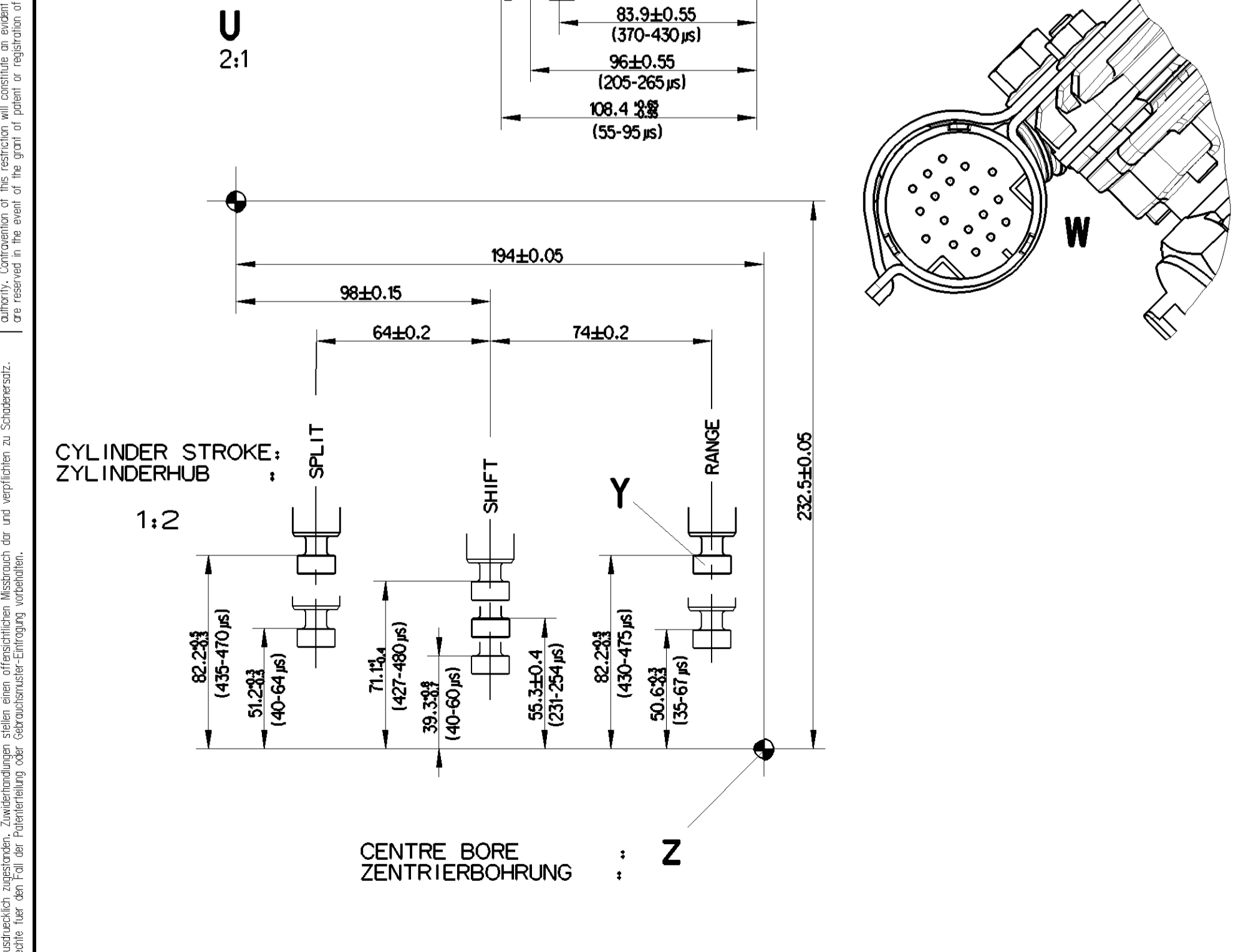
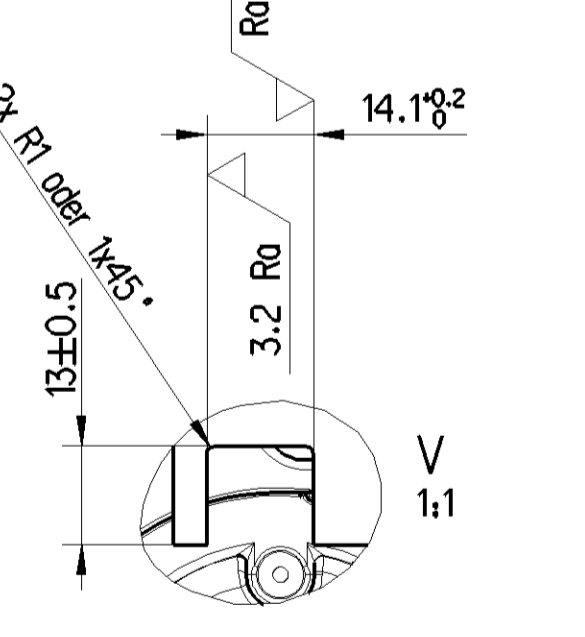
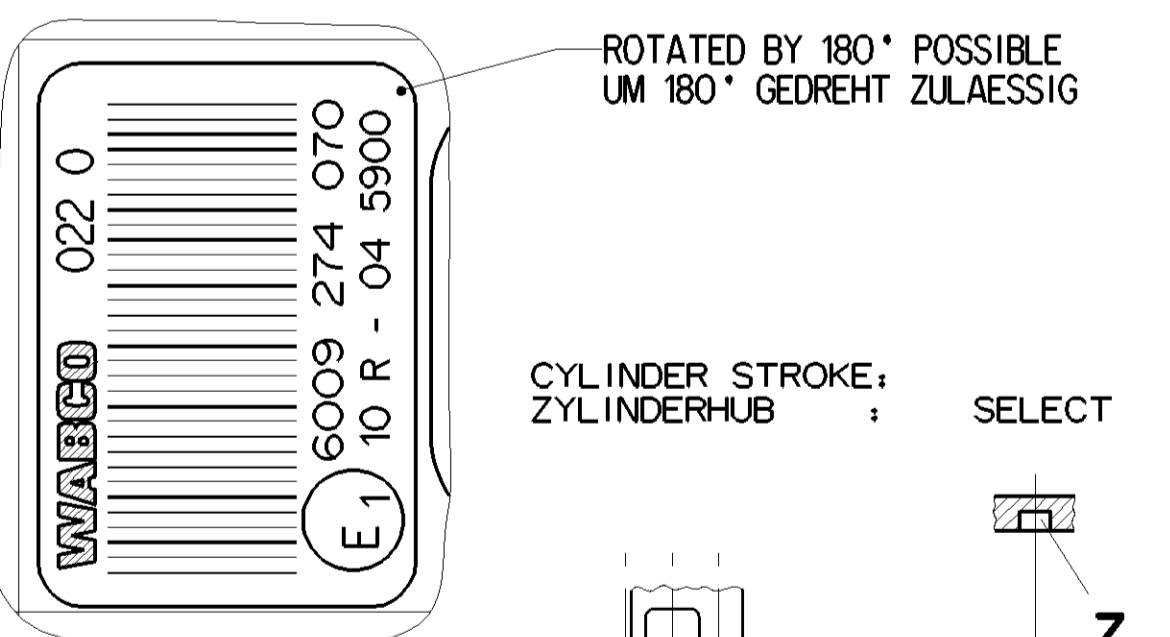
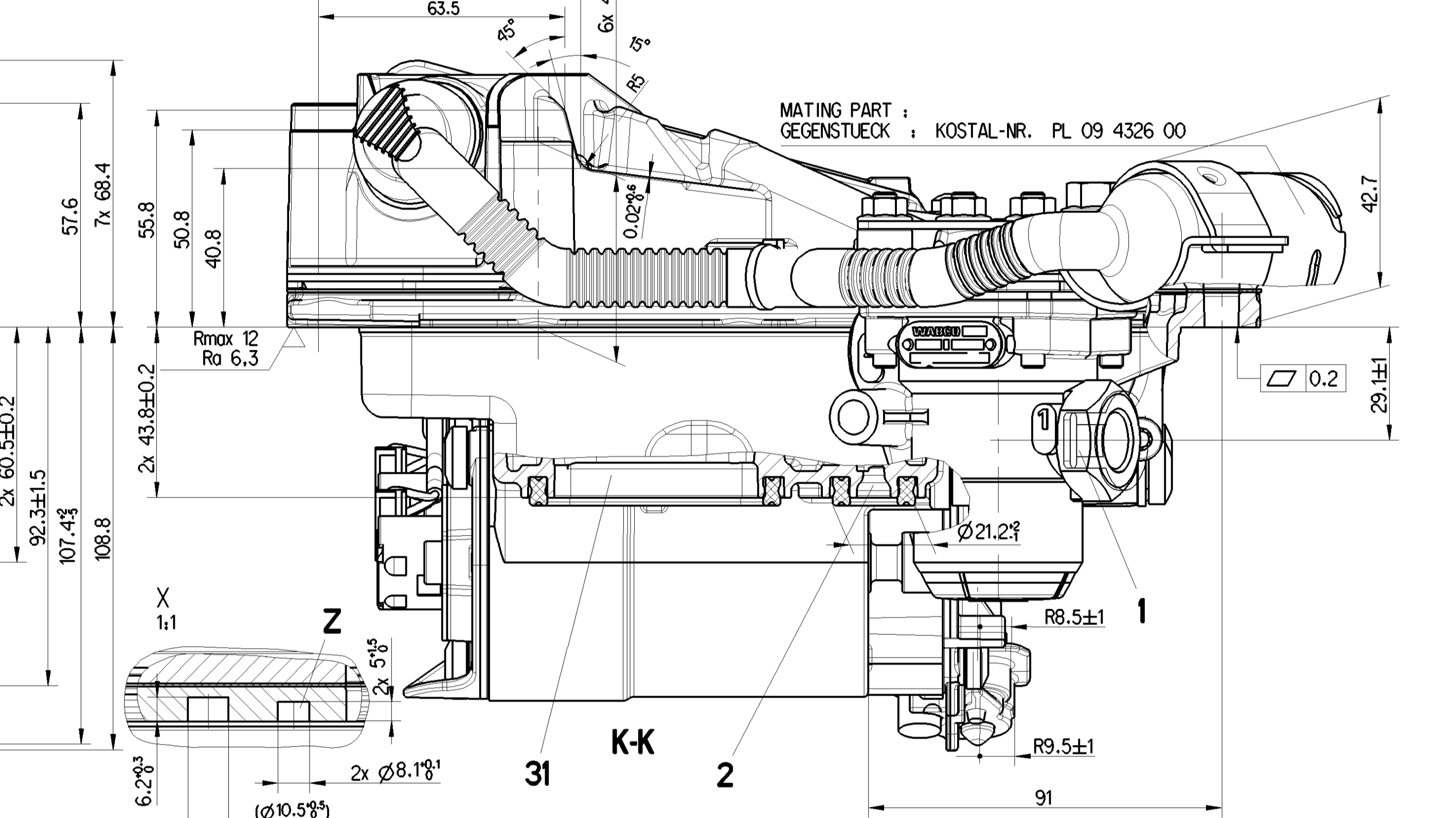
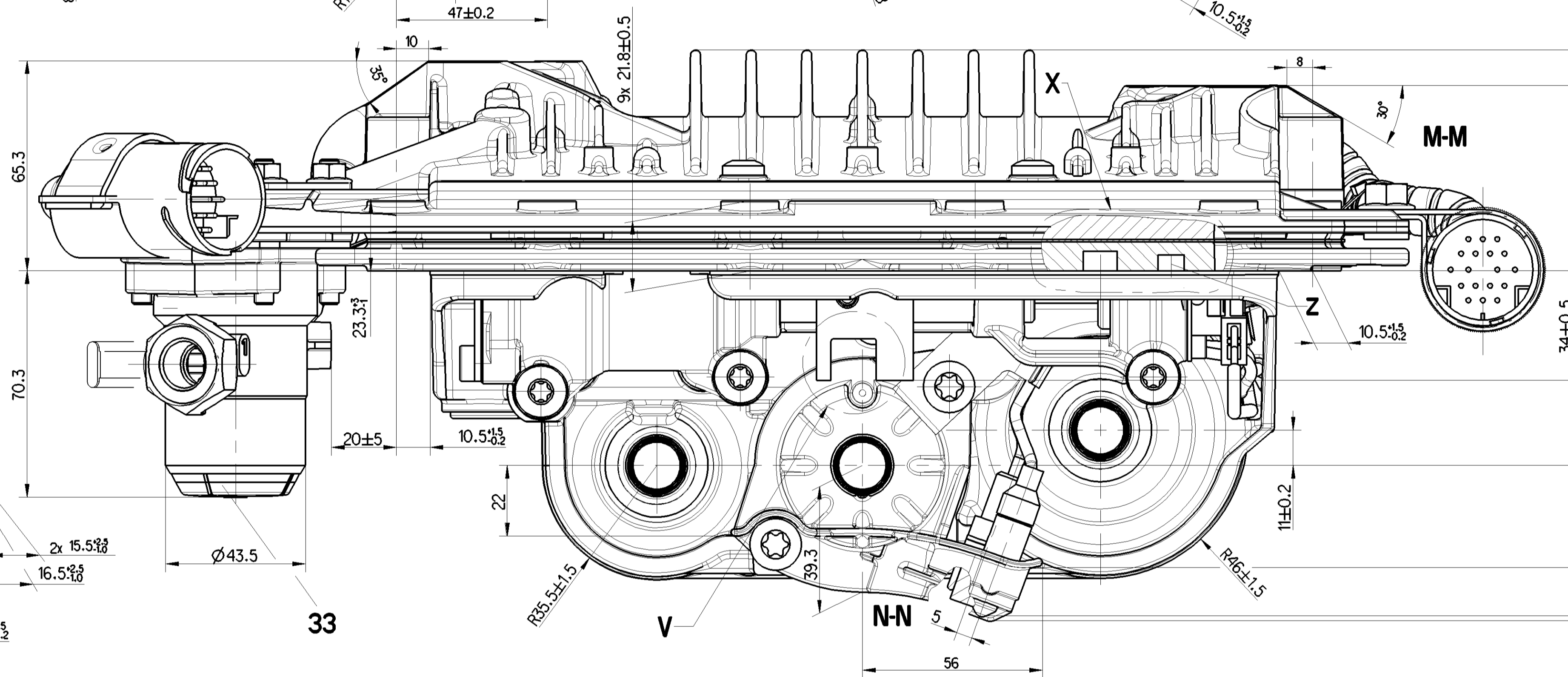
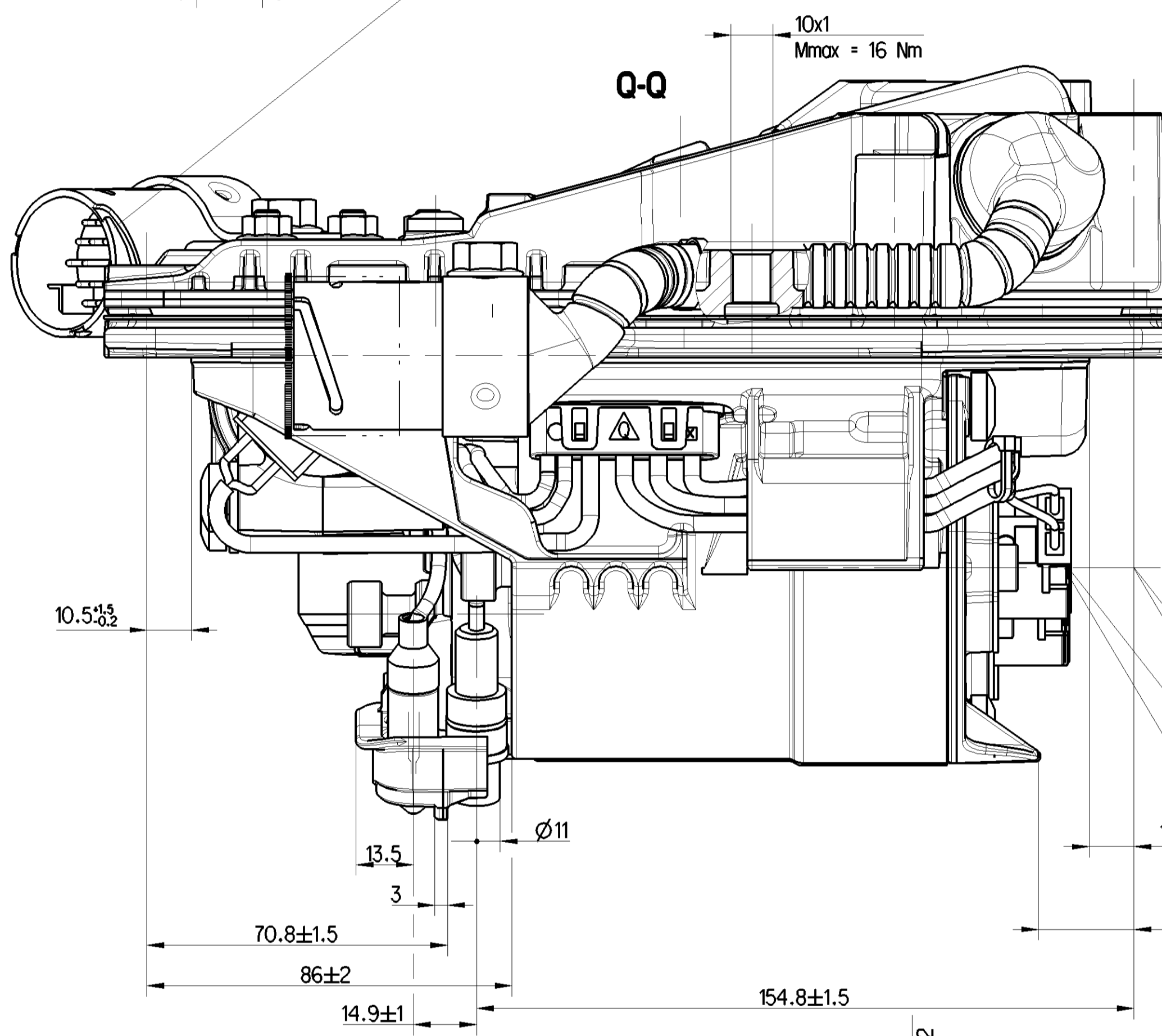
M = TORQUE  
M = ANZUGSMOMENT

SUPPLY OF ENERGY  
ENERGIEZUFUSS 1 ( $\varnothing 8\text{mm}$ )

DELIVERY  
ARBEITSLAUFUNG 2 ( $\varnothing 4\text{mm}$ )

EXHAUST  
ENTLUFTUNG 31 ( $\varnothing 16\text{mm}$ ), 32, 33

ELECTRICAL CONTROL  
ELEKTRISCHER STEUERANSCHLUSS 61, 62



|  |               |                      |                 |
|--|---------------|----------------------|-----------------|
| WABCO-NR.  | ZF-Nr.        | 421 355 022 0        | 6009 274 070    |
| General Specifications: 421-354-1, Size ISO 11410 LP |               | Copyright WABCO      |                 |
| Further Technical Data:                              |               | Date: 2022-11-23     |                 |
| Doc. Code:   |               | Sheet: 1 of 1        |                 |
| General Tolerances: 421-261                          |               | Quantity: 1          |                 |
| Range of Nominal Dimensions (± mm)                   |               | Sellers: 1           |                 |
| Class  | ± 0.10        | ± 0.20               | ± 0.30          |
| Size   | 0.5           | 1.0                  | 1.5             |
| Medium   | 1.0           | 2.0                  | 3.0             |
| Course   | 2.0           | 3.5                  | 5.0             |
| Material:  | Al            | Steel                | Stainless Steel |
| Quantity:  | 1             | 1                    | 1               |
| Part Name:   | 421 355 022 0 | Date of first issue: | 2006-06-20      |
| Part Code:   | 006 DE 1/1    | Doc. Code:           | Language:       |
| Part Name:   | 421 355 022 0 | Doc. Code:           | Language:       |
| Part Name:   | 421 355 022 0 | Doc. Code:           | Language:       |