

TECHNICAL DATA  
 TECHNISCHE DATEN  
 CARACTÉRISTIQUES TECHNIQUES  
 CARATTERISTICHE TECNICHE

WORKING PRESSURE .....  
 BETRIEBSDRUCK ..... : MAX10 bar (C)  
 PRESSION D'UTILISATION .....  
 PRESSIONE DI ESERCIZIO .....

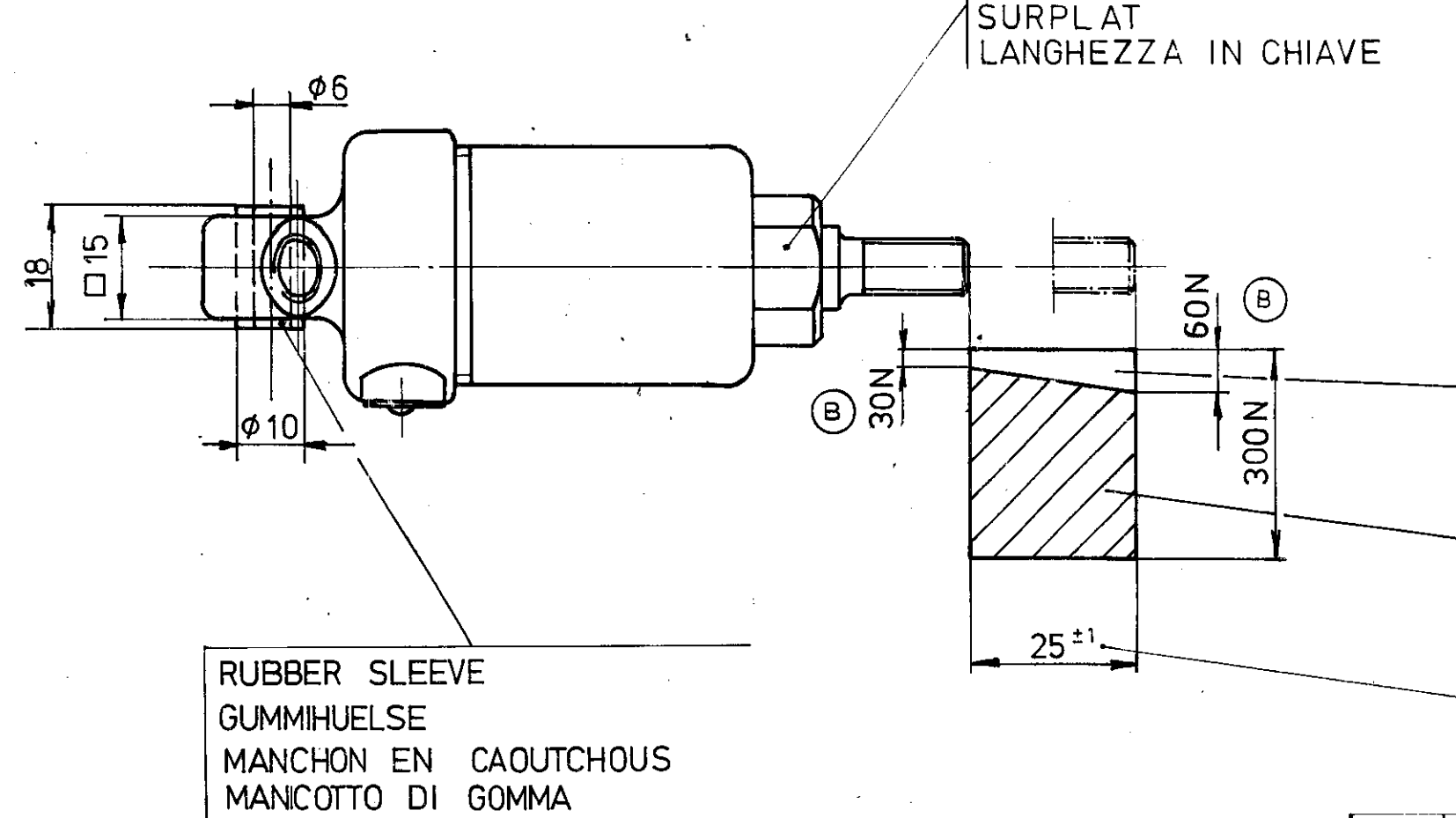
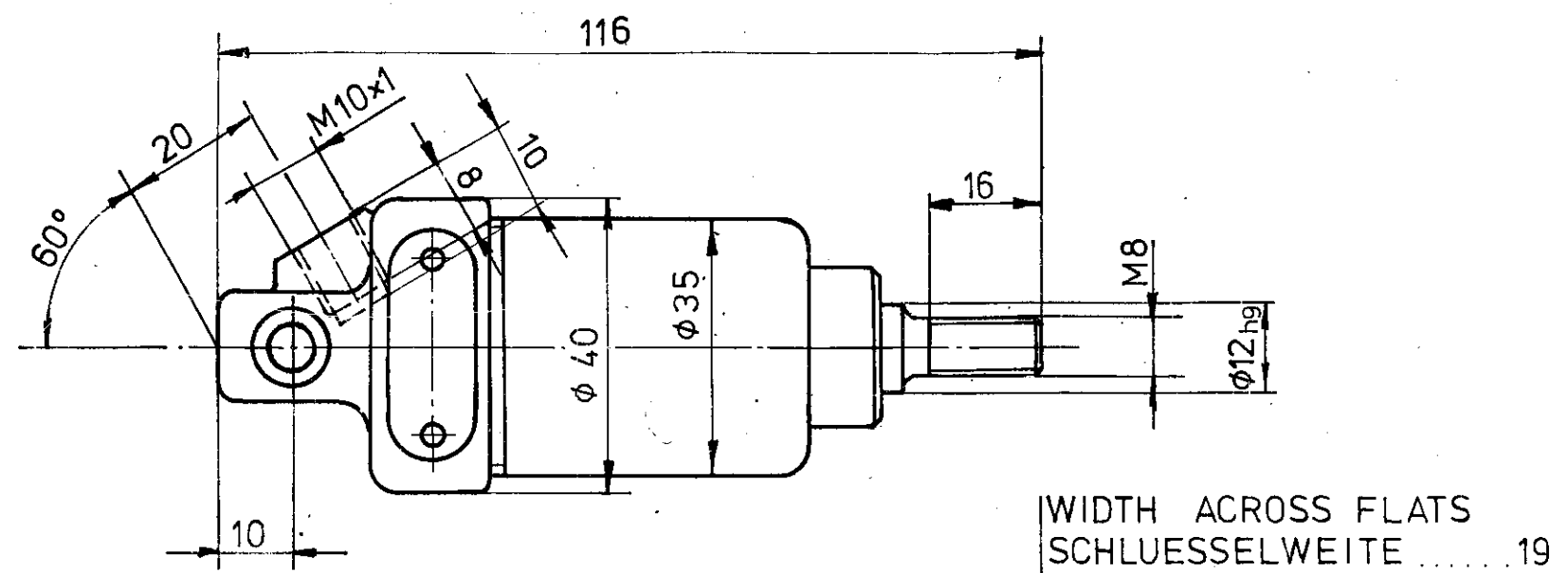
THERMAL RANGE OF APPLICATION... (B)  
 THERMISCHER ANWENDUNGSBEREICH... : -40°C BIS +80°C  
 GAMME D'APPLICATION THERMIQUE...  
 CAMPO DI APPLICAZIONE TERMICA .....

MEDIUM ..... : AIR  
 MEDIUM ..... : LUFT  
 FLUIDE ..... : AIR  
 FLUIDO ..... : ARIA

SPRING DIAGRAM  
 FEDERDIAGRAMM  
 DIAGRAMME DE RESSORT  
 DIAGRAMMA DI MOLLA

ENERGY DIAGRAM AT .....  
 ARBEITSDIAGRAMM BEI ..... : 4,5 bar  
 DIAGRAMME D'ENERGIE A .....  
 DIAGRAMMA DI ENERGIA A .....

DISPERSION .....  
 STREUBEREICH ..... : ± 10 %  
 DISPERSION .....  
 DISPERSIONE .....



WIDTH ACROSS FLATS  
 SCHLUESSELWEITE ..... : 19  
 SURPLAT  
 LANGHEZZA IN CHIAVE

RUBBER SLEEVE  
 GUMMIHUELSE  
 MANCHON EN CAOUTCHOUS  
 MANICOTTO DI GOMMA

STROKE  
 HUB  
 COURSE  
 CORSA

STROKE  
 HUB  
 COURSE  
 CORSA  
 Ø 30 x 25

DATE		SIGNATURE		WABCO WESTINGHOUSE	
75-01-02		<i>peper</i>		CYLINDER	
75-01-02		<i>Mylius</i>		CYLINDRE	
75-02-14		<i>found</i>		CILINDRO	
75-02-14				ARBEITSZYLINDER	
31299	85-05-30	MASS	SCALE	IDENTIFICATION CODE	
16682	3x(B) 77-04-28	0,3	1:1	421 410 039 0	
CHANGE NO.	LETT	DATE	SIZE	T.R.I.	CODE FOR FUNCTION
20	(A)	75-01-02	A 3	140	605
REPLACEMENT FOR		ORIG. GL. NR.		V. 21-1-67	
15		16		17	
18		19		20	
21		22		23	
24		25		26	

COPYRIGHT BY WESTINGHOUSE BREMEN UND APPARATEBAU GMBH HANNOVER