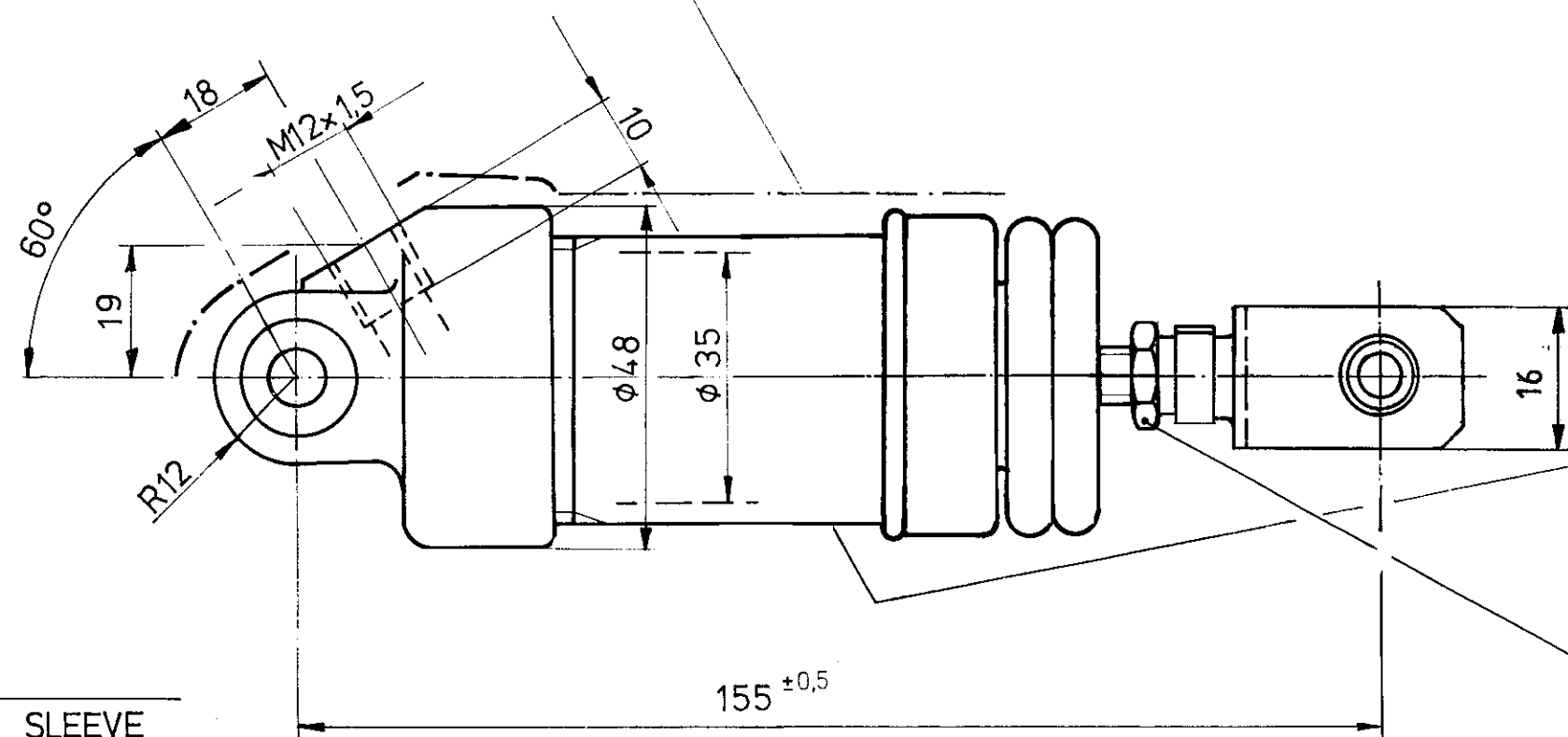


IN THIS ZONE  
IN DIESEM BEREICH  
DANS CETTE ZONE  
IN QUESTA ZONA

PAINT  
FARBANSTRICH JED-438  
PEINTURE  
COLORANTE

RED / BROWN  
ROTBRAUN  
ROUGE / BRUNE  
MARRONE - ROSSO

SAFETY CHARACTERISTICS	0
SIGNIFICANT CHARACTERISTICS	0
8 h11	-0.090
8B13	+0.37 +0.15



WABCO AND IDENTIFICATION CODE, PR AND DATE OF MANUFACTURE STAMPED  
LETTERING : 2mm HIGH, ≈ 0,5mm DEEP  
WABCO UND GERÄTE-BEZEICHNUNG, PR UND HERSTELLDATUM GEPRAEGT  
SCHRIFT : 2mm HOCH, ≈ 0,5mm TIEF  
FRAPPER WABCO ET CODE D'IDENTIFICATION, PR ET DATE DE FABRICATION  
ECRITURE : HAUTEUR 2mm, PROFONDEUR ≈ 0,5mm  
STAMPIGLIARE WABCO E CODICE DI IDENTIFICAZIONE, PR E DATA DI FABBRICAZIONE  
SCRITTURA : ALTEZZA 2mm, PROFONDITA ≈ 0,5mm

STROKE  
HUB  
COURSE  
CORSIA

φ35 × 38

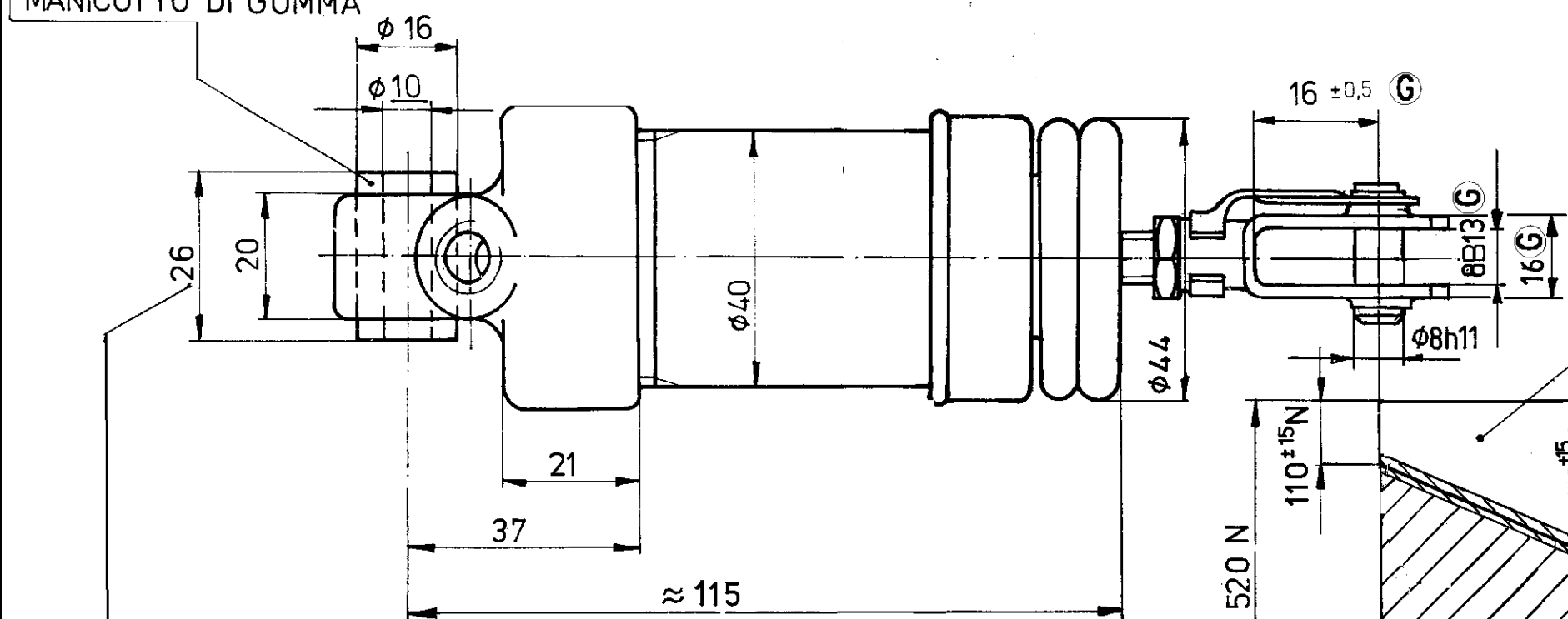
WIDTH ACROSS FLATS  
SCHLUESSELWEITE 13  
SURPLAT  
LARGHEZZA DI CHIAVE

RUBBER SLEEVE  
GUMMIHUELSE  
MANCHON EN CAOUTCHOUC  
MANICOTTO DI GOMMA

WORKING PRESSURE  
BETRIEBSDRUCK MAX. 10 bar  
PRESSION D'UTILISATION  
PRESSIONE DI ESERCIZIO

THERMAL RANGE OF APPLICATION  
THERMISCHER ANWENDUNGSBEREICH -40 °C BIS +80 °C  
GAMME D'APPLICATION THERMIQUE  
CAMPO DI APPLICAZIONE TERMICA

MEDIUM  
MEDIUM LUFT  
FLUIDE  
FLUIDO ARIA



SPRING DIAGRAM  
FEDERDIAGRAMM  
DIAGRAMME DE RESSORT  
DIAGRAMMA DI MOLLA

ENERGY DIAGRAM AT 6 bar  
ARBEITSDIAGRAMM BEI 6 bar  
DIAGRAMME D'ENERGIE A 6 bar  
DIAGRAMMA DI ENERGIA A 6 bar

DISPERSION  
STREUBEREICH ± 10%  
DISPERSION  
DISPERSIONE

CHUCKED LENGTH  
EINSPANNLAENGE 23mm  
LONGUEUR D'ENCASTREMENT  
LUNGHEZZA DI FISSAGGIO

TECHNICAL DATA  
TECHNISCHE DATEN  
CARACTÉRISTIQUES TECHNIQUES  
CARATTERISTICHE TECNICHE

① INDICATION FOR INSTALLATION: STOP MUST BE ARRANGED OUTSIDE OF THE CYLIND.  
EINBAUHNWEIS: ANSCHLAG MUSS AUSSERHALB DES ZYLINDERS LIEGEN  
INDICATION POUR INSTALLATION: BUTÉE DOIT ÊTRE DISPOSÉE AU DEHORS DU CYLIND  
INDICAZIONE DI MONTAGGIO: ARRESTO DEVE ESSERE DISPOSTO FUORI DEL CILINDRO

General Specification: JED-334-1, Size ISO 14405 LP		Copyright WABCO®		<b>WABCO</b>	
Further Technical Data:		Date	Signature	CYLINDER CYLINDRE CILINDRO ARBEITSZYLINDER	
Doc. Code:	Sheet: To	2019-09-23	Domek	Date of first issue: 76-05-06	
General Tolerances JED-261		Checked	Drelich	Doc. Code	Language
Class 1)	Range of Nominal Dimensions ( ± mm)	2019-09-23	Drelich	005	ML
Fine	≤ 50 > 50 > 180 > 400	Expert	Drelich	1/1	
Medium	≤ 180 ≤ 400 > 400	Expert	Drelich	Material No. 421 411 070 0	
Coarse	≤ 180 ≤ 400 > 400	Expert	Drelich	Date of first issue: 76-05-06	
		Mass	Scale	Doc. Code Language Sheet	
		0.5 KG	1:1	005 ML 1/1	
		Size	CAD System	ECN-No. Revision Techn. Resp. Replacement for	
		A 2	CREO	178075 6/6 G 5670	
Tapped Holes acc.					
1) Tolerance Class Applied Crossmarked					

Non e permesso consegnare o terzi o riprodurre questo documento, ne utilizzare il contenuto o renderlo comunque noto a terzi senza autorizzazione esplicita. Ogni infrazione costituisce un evidente abuso e comportera il risarcimento dei danni subiti. E' fatta riserva di tutti i diritti derivanti da brevetti o modelli.  
 Coping of this document and giving it to others and the use or communication of its contents without express authority. Contravention of this restriction will constitute an evident abuse and result in a liability to the payment of damages. All rights are reserved in the event of the grant of patent or registration of a utility model or design. This document is the subject of copyright.  
 Toute communication ou reproduction de ce document, toute exploitation ou communication de son contenu sans autorisation expresse, sans autorisation expresse. Tout manquement a cette regle constitue un abus evident et expose son auteur au versement de dommages et interets. Tous droits de propriete industrielle reserves, notamment en matiere de brevets et de modeles.  
 Weitergabe sowie Vervielfältigung dieses Urteiles und Mitteilung des Inhalts nicht gestattet, soweit nicht ausdrücklich zugestanden. Zuwiderhandlungen stellen einen offensichtlichen Missbrauch dar und verpflichten zu Schadensersatz. Alle Rechte fuer den Fall der Patentierung oder Gebrauchsmuster-Eintragung vorbehalten.