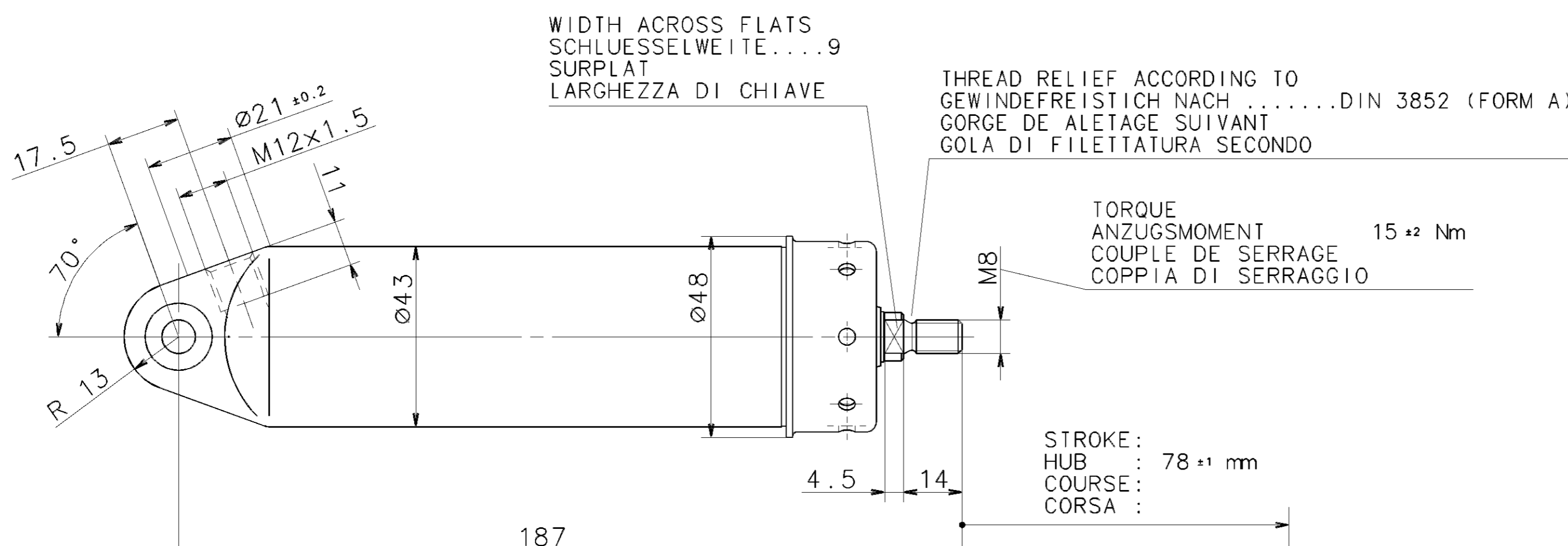
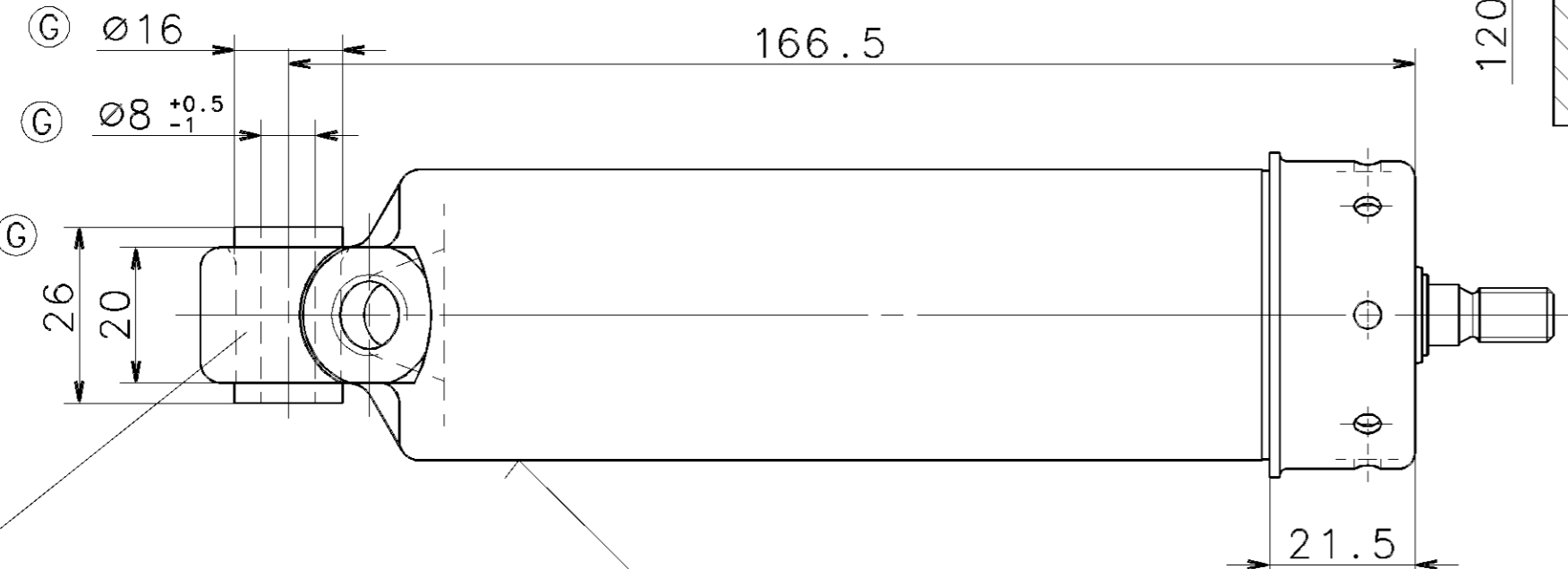


NON È PERMESSO CONCESSIONE A TERZI O RIPRODURRE QUESTO DOCUMENTO, NE UTILIZZARNE IL CONTENUTO O RENDERSI RESPONSABILI PER QUALSIASI DANNI, SUBITI O NON, DERIVANTI DA UN ABUSO O COMPORTAMENTO ILLECITO. È FATTA RISERVA DI TUTTI I DIRITTI DERIVANTI DA BREVETTI O MODELLI.
 COPIING OF THIS DOCUMENT AND ITS USE OR COMMUNICATION OF ITS CONTENTS THEREOF, WITHOUT THE WRITTEN PERMISSION OF WABCO, IS PROHIBITED. ALL RIGHTS ARE RESERVED IN THE EVENT OF THE ABUSE AND RESULT IN A LIABILITY TO THE PAYMENT OF DAMAGES. ALL RIGHTS ARE RESERVED IN THE EVENT OF THE ABUSE AND RESULT IN A LIABILITY TO THE PAYMENT OF DAMAGES.
 TOILE COMMUNICATION OU REPRODUCTION DE CE DOCUMENT, TOUTE EXPLOITATION OU COMMUNICATION DE SON CONTENU, ENVIANT EN RESPONSABILITE SON AUTEUR, SON AUTEUR AU PERMETTRE DE DANNES ET INTERETS A TOUTS DROITS DE PROPRIETE INDUSTRIELLE RESERVES. NOTAMMENT EN MATIERE DE BREVETS ET DE MODELES.
 WELLEGABE SOWIE VERVIELFACHUNG DIESER UNTERLAGE, WERBUNG UND MITTEILUNG IHRES INHALTS NICHT OHNE SCHRIFTLICHE ZULASSUNG VON WABCO. ALLE RECHTE FÜR DEN FALL DER PATENTIERUNG ODER GEBRAUCHSMUSTER-EINTRAGUNG VORBEHALTEN.



TECHNICAL DATA
 TECHNISCHE DATEN
 CARACTERISTIQUES TECHNIQUES
 CARATTERISTICHE TECNICHE
 INSTALLATION POSITION : OPTIONAL
 EINBAULAGE : BELIEBIG
 POSITION D'INSTALLATION : A INDIFFERENTE
 POSIZIONE DI MONTAGGIO : A SCELTA
 THERMAL RANGE OF APPLICATION :
 THERMISCHER ANWENDUNGSBEREICH : -25 °C...+140 °C
 GAMME D'APPLICATION THERMIQUE :
 CAMPO DI APPLICAZIONE TERMICA :
 SERVICE PRESSURE :
 BETRIEBSDRUCK : pe= max. 10 bar
 PRESSION DE SERVICE :
 PRESSIONE D ESERCIZIO :
 MEDIUM : AIR
 MEDIUM : LUFT
 FLUIDE : AIR
 FLUIDO : ARIA



SPRING DIAGRAM
 FEDERDIAGRAMM
 DIAGRAMME DE RESSORT
 DIAGRAMMA DI MOLLA
 ENERGY DIAGRAM AT
 ARBEITSDIAGRAMM BEI... .4.5 bar
 DIGRAMME D'ENERGIE A
 DIAGRAMMA DI ENERGIA

RUBBER SLEEVE
 GUMMIHUELSE.....SILICON
 MANCHON EN CAOUTCHUC
 MANICOTTO DI GOMM
 CHUCKED LENGTH
 E INSPANNLAENGE.....23mm
 LONGUEUR D'ENCASTREMENT
 LUNGHEZZA DI FISSAGGIO

WABCO MONOGRAM AND DEVICE NO., PRI AND DATE OF MANUFACTURE STAMPED
 LETTERING : 2 mm HIGH, ~0.5 mm DEEP.
 WABCO-SCHRIFTZUG UND GERAETE-NR., PRI UND HERSTELLDATUM GEPAEKT
 SCHRIFT : 2 mm HOCH, ~0.5 mm TIEF.
 FRAPPER MONOGRAMME WABCO ET NO. DE L'APPAREIL, PRI ET DATE DE FABRICATION
 ECRITURE : HAUTEUR 2 mm, PROFONDEUR ~0.5mm
 STAMPLIGARE MARCHIO WABCO E NO. DELL'APPARECCHIO, PRI E DATA DI FABBRICAZIONE
 SCRITTURA : ALTEZZA 2 mm, PROFONDITA ~0.5 mm.

INDICATION FOR INSTALLATION: STOP CAN BE WITHIN THE CYLINDER
 EINBAUHINWEIS: ANSCHLAG KANN INNERHALB DES ZYLINDERS LIEGEN
 INDICATION POUR INSTALLATION: BUTEE PEUT ETRE DANS LE CYLINDRE
 INDICAZIONE DI MONTAGGIO: ARRESTO PUO ESSERE NEL CILINDRO

GENERAL SPECIFICATION JED-334.0		SURFACE PROTECTION	
CADAM-DRAWING COPYRIGHT		WABCO	
DATE	SIGNATURE	DRAWN: 89-03-20 MUELLER	
CHECKED: 89-03-21 MYLIUS		CYLINDER ARBEITZYLINDER Ø35x78 CYLINDRE CILINDRO	
STANDARDIZATION: 89-03-21 PANTZER		REPLACEMENT FOR 421 411 301 0 OF 81-09-10	
MASS	SCALE	PRODUCT IDENTIFICATION NO.	
0.54 KG	1:1	421 411 301 0	
SIZE	T.R.I.	DOC. CODE	SHEET
A 2	140	605	1/1
DCN-NO.	REV.	DATE	SHAPE CODE
041113	F	89-03-21	567
EXPERT CODE 7 2 3		PRODUCT TYPE 0 0 X	

1609/013/3/04-93 606 652