

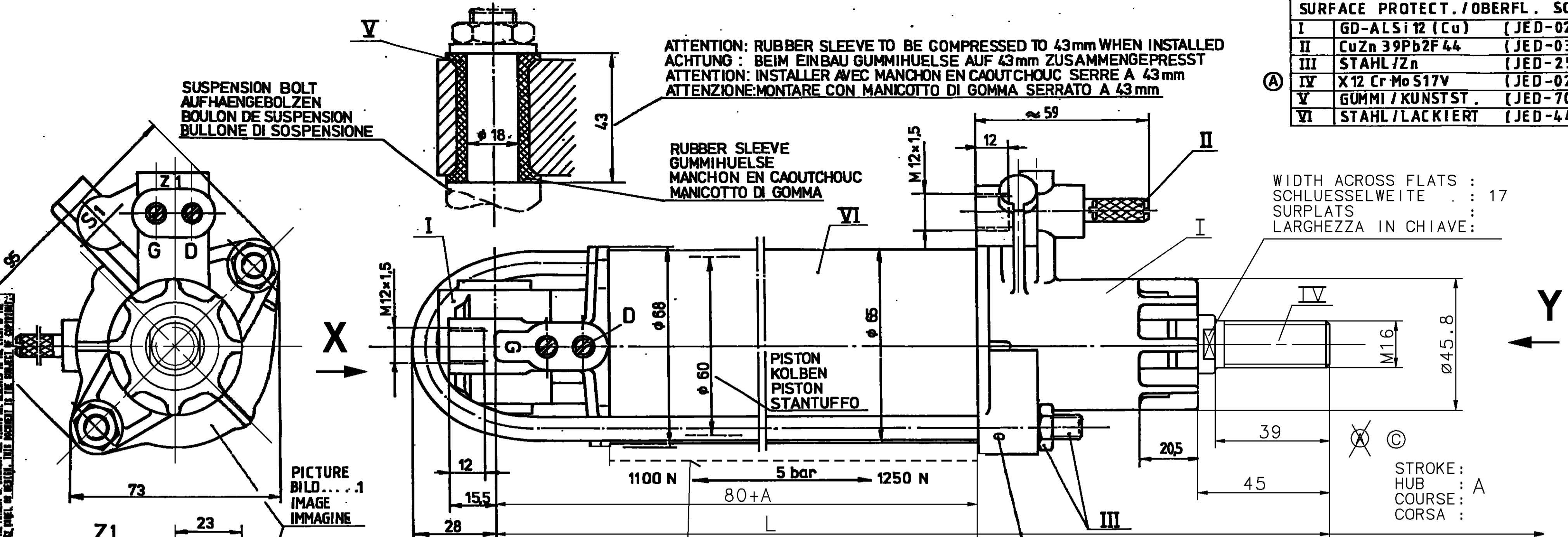
| SURFACE PROTECT. / OBERFL. SCHUTZ | | |
|-----------------------------------|------------------|-------------|
| I | GD-ALSi12 (Cu) | (JED-029M1) |
| II | CuZn 39Pb2F44 | (JED-035M1) |
| III | STAHL/Zn | (JED-256) |
| IV | X12 Cr-Mo S17V | (JED-024M0) |
| V | GUMMI / KUNSTST. | (JED-7080M) |
| VI | STAHL / LACKIERT | (JED-442) |

SUSPENSION BOLT
AUFHÄNGEBOLZEN
BOULON DE SUSPENSION
BULLONE DI SOSPENSIONE

ATTENTION: RUBBER SLEEVE TO BE COMPRESSED TO 43mm WHEN INSTALLED
ACHTUNG: BEIM EINBAU GUMMIHUELSE AUF 43mm ZUSAMMENGEPRESST
ATTENTION: INSTALLER AVEC MANCHON EN CAOUTCHOUC SERRE A 43mm
ATTENZIONE: MONTARE CON MANICOTTO DI GOMMA SERRATO A 43mm

RUBBER SLEEVE
GUMMIHUELSE
MANCHON EN CAOUTCHOUC
MANICOTTO DI GOMMA

WIDTH ACROSS FLATS :
SCHLUESSELWEITE : 17
SURPLATS
LARGHEZZA IN CHIAVE:



PICTURE BILD... 1
IMAGE
IMMAGINE

PAINT
FARBANSTRICH JED-442
PEINTURE
COLORANTE

RED / BROWN
ROTBRÄUN
ROUGE / BRUN
MARRONE - ROSSO

INSPECTION TEST STAMP
PRUEFSTEMPEL
MARQUAGE DE CONTROLE
STAMPGLIATURA DI COLLAUDO

MAX. WORKING PRESSURE
MAX. BETRIEBSDRUCK 8 bar
PRESSION D'UTILISATION MAXI.
PRESSIONE DI ESERCIZIO MAX.

ADMISSIBLE MEDIUM AIR
ZULAESSIGES MEDIUM LUFT
FLUIDE ADMISSIBLE AIR
FLUIDO AMMISSIBILE ARIA

ADMISSIBLE TEMPERATURE RANGE
ZULAESSIGER TEMPERATURBEREICH -40°C +80°C
PLAGE DE TEMPERATURES ADMISSIBLES
GAMMA DI TEMPERATURE AMMISSIBILI

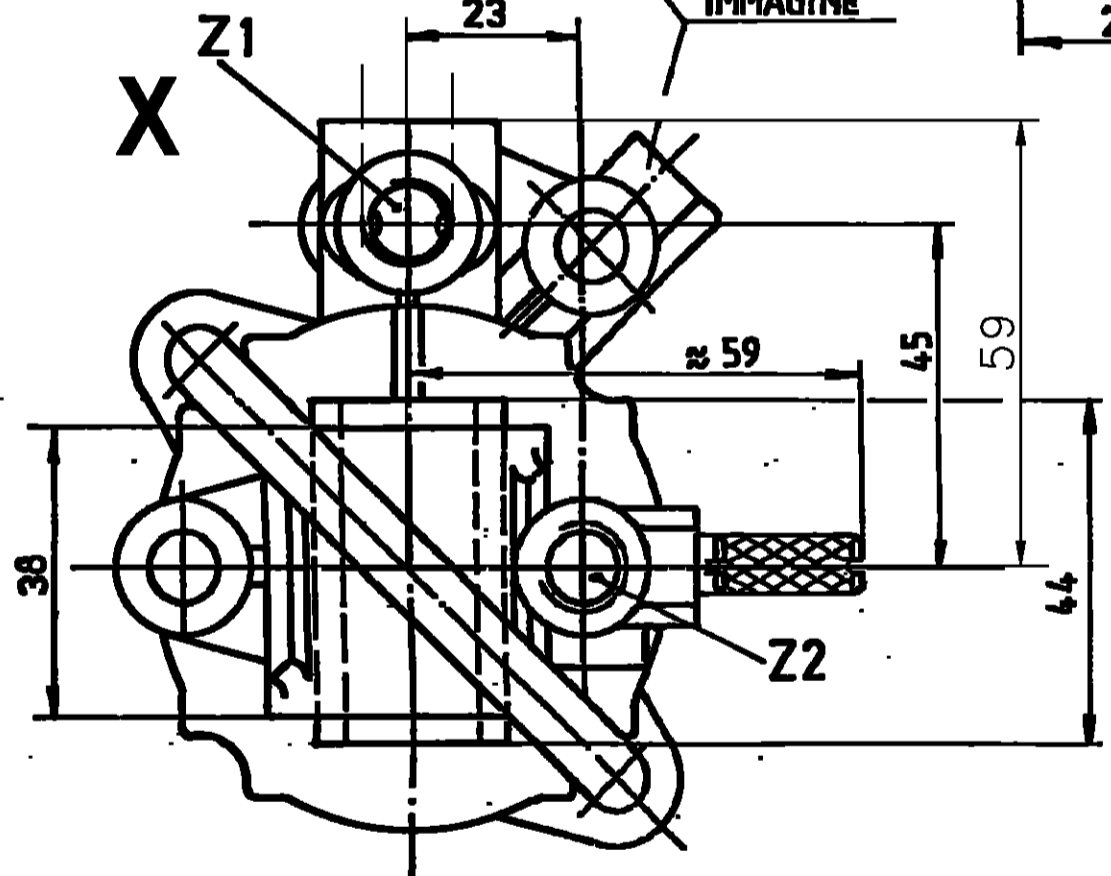
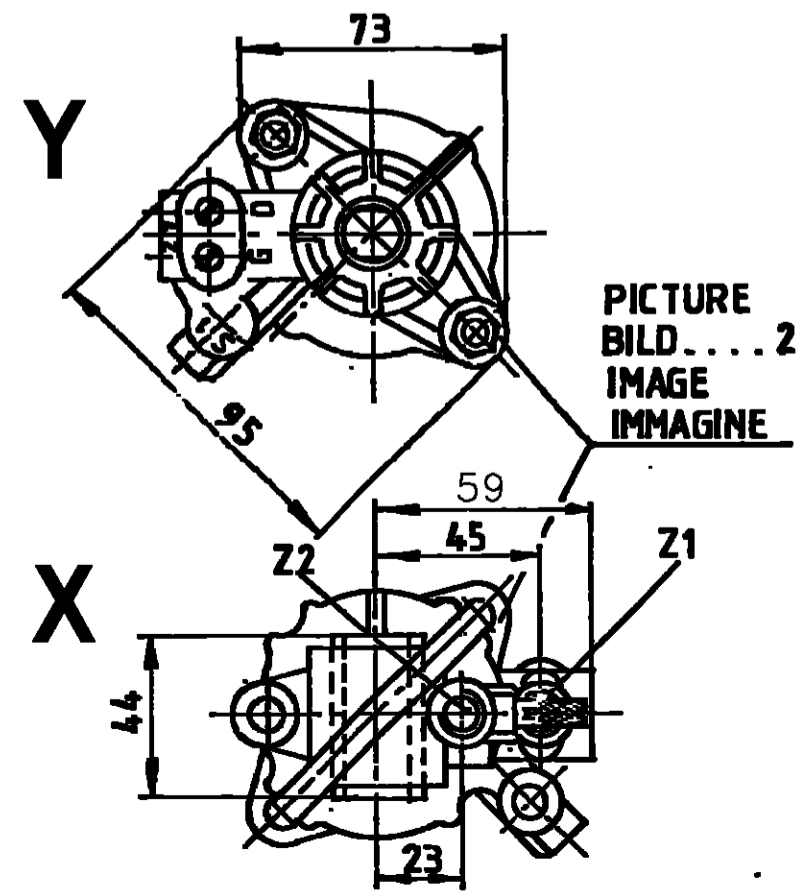
PORTS FOR DOOR CONTROL VALVE
ANSCHLUESSE FUER TUERVENTIL Z1 und Z2
ORIFICES A LA VALVE DE MANOEUVRE DE PORTE
ORIFIZI ALLA VALVOLA COMANDO PORTE

ADJUSTING SCREW FOR AIR CUSHIONING
EINSTELLSCHRAUBE FUER DAEMPfung (ENDABBREMSUNG) D
VIS DE REGLAGE POUR L'AMORTISSEMENT
VITE DI REGOLAZIONE PER AMMORTIZZAMENTO

AIR CUSHIONING WITH RETRACTING PISTON ROD BEFORE END OF STROKE
ENDABBREMSUNG BEI EINFAHRENDER KOLBENSTANGE VOR HUBENDE B
AMORTISSEMENT A TIGE RENTRANTE DEVANT LA FIN DE LA COURSE
AMMORTIZZAMENTO AD ASTA TRAENTE FINE DELLA COURSA

AIR CUSHIONING WITH EXTENDING PISTON ROD BEFORE END OF STROKE
ENDABBREMSUNG BEI AUSFAHRENDER KOLBENSTANGE VOR HUBENDE C
AMORTISSEMENT A TIGE SORTANTE DEVANT LA FIN DE LA COURSE
AMMORTIZZAMENTO AD ASTA USCENTE FINE DELLA COURSA

PICTURE BILD... 2
IMAGE
IMMAGINE



| | | | | | |
|---------------|-----|-----|------|----|----|
| 422 802 326 0 | 340 | 140 | 2 | 25 | 40 |
| 422 802 310 0 | 340 | 140 | 1 | 40 | 40 |
| | L | A | BILD | B | C |

| GENERAL SPECIFICATION: JED-334 | | DATE: 95-04-24 | | SIGNATURE: [Signature] | |
|---|------|---------------------------|-----------|----------------------------------|-------------|
| FURTHER TECHNICAL DATA: | | 95-04-28 | | [Signature] | |
| CODE FOR DOCUMENT: SHEET: TO | | 95-04-25 | | [Signature] | |
| GENERAL TOLERANCES | | STANDARDIZATION: 95-04-25 | | WABCO | |
| RANGE OF NOMINAL DIMENSIONS (± mm) | | 95-04-25 | | DOOR CYLINDER | |
| CLASS 1) | < 50 | 50 - 100 | 100 - 400 | 400 - 1000 | 1000 - 4000 |
| FINE | ±0.1 | ±0.15 | ±0.2 | ±0.3 | ±0.5 |
| MEDIUM | ±0.2 | ±0.3 | ±0.4 | ±0.6 | ±1.0 |
| COARSE | ±0.3 | ±0.5 | ±0.7 | ±1.0 | ±1.5 |
| TAPPED HOLES ACC. ISO 4039 / JED-192 | | 59035 | | 422 802 319 0 | |
| 1) TOLERANCE CLASS APPLIED CROSSHATCHED | | A2 | | 140 | |
| | | DATE: 95-04-25 | | SCALE: 1:1 | |
| | | REPLACEMENT FOR | | CORE FOR FUNCTION: 422 802 319 0 | |
| | | DATE: 95-04-25 | | CORE FOR SHAPE: 422 802 319 0 | |
| | | DATE: 95-04-25 | | CORE FOR DOCUMENT: 422 802 319 0 | |