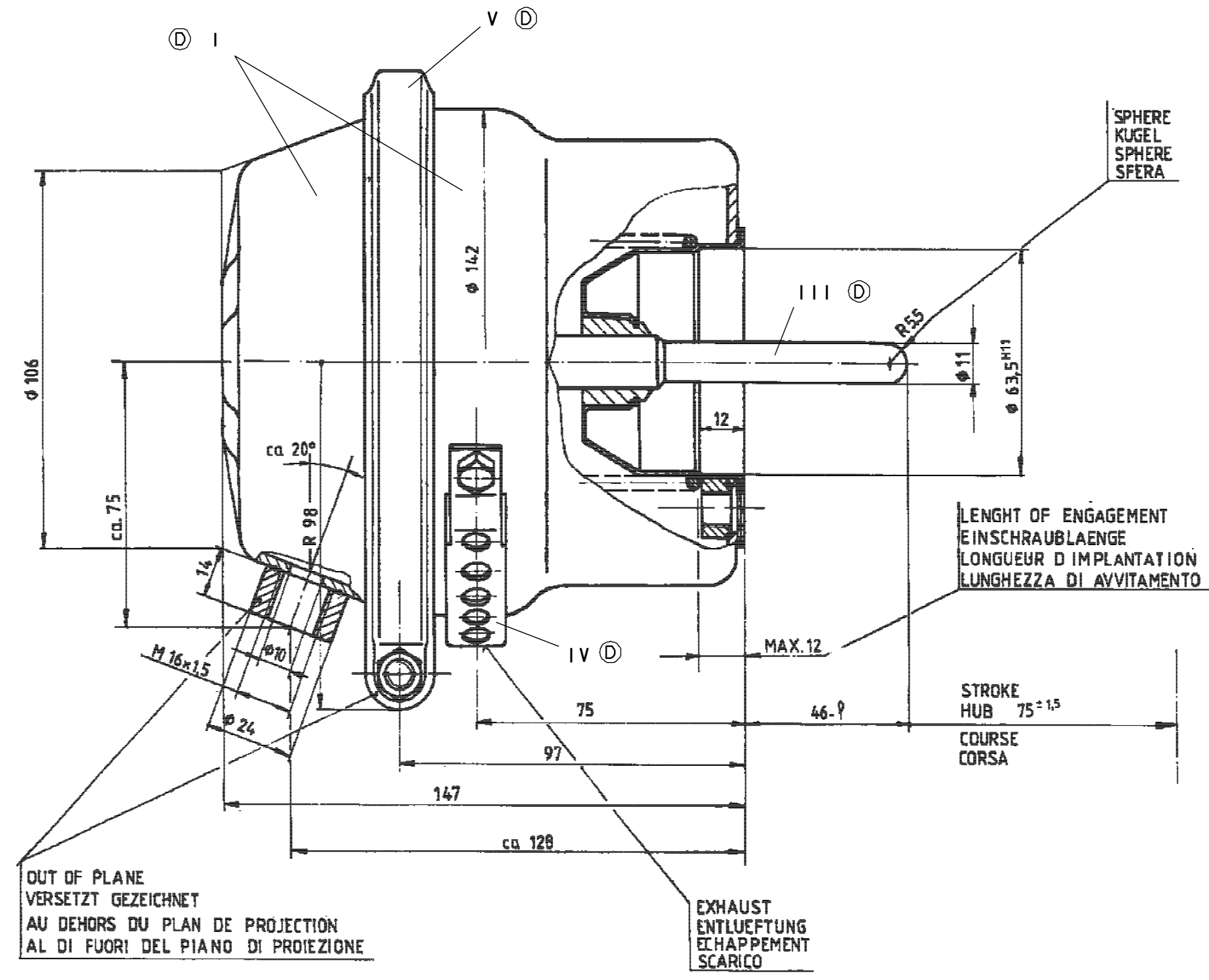
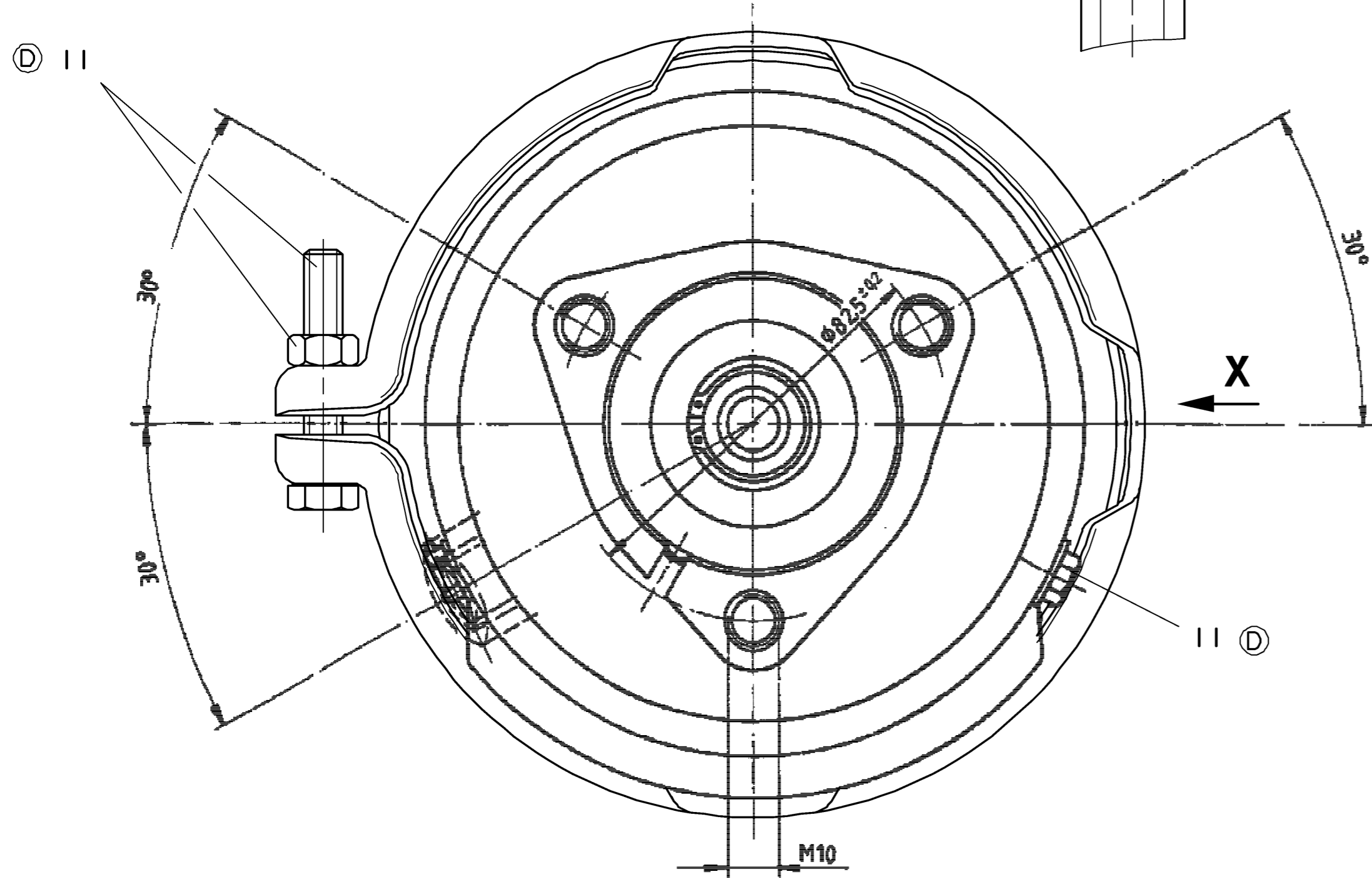
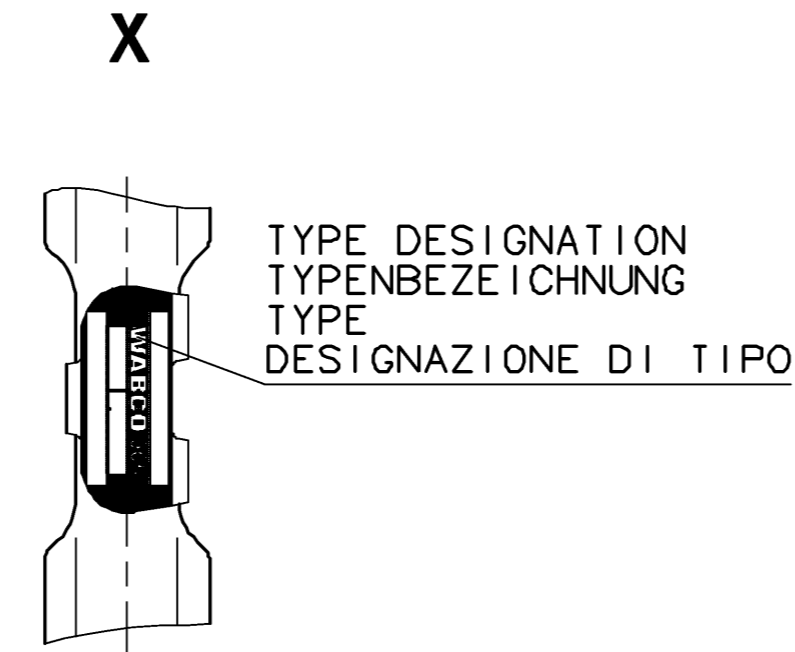


SURFACE PROTECT. / OBERFL. SCHUTZ	
I	JED-240-3
II	JED-256-1
III	JED-257
IV	RUBBER / PLASTIC
V	JED-240-2



PUSH FORCE OF BRAKE CHAMBER: SEE TECHNICAL INFORMATION SHEET.....  
 KRAFTABGABE DES MEMBRANZYLINDERS SIEHE KONSTRUKTIONSBLETT..... 423 054 000 0 (997)  
 EFFORT DE POUSSEE DU VAS A DIAPHRAGME VOIR NO TICE TECHNIQUE.....  
 FORZA DI SPINTA DI BRAKE CHAMBER VEDERE FASCICOLO DESCRITTIVO.....

VOLUME - STROKE DIAGRAM SEE.....  
 HUBVOLUMEDIAGRAMM SIEHE ZEICHNUNG..... 423 054 001 0 (997)  
 DIAGRAMME VOLUME - COURSE VOIR.....  
 DIAGRAMMA VOLUME - CORSA VEDERE.....

WORKING PRESSURE.....  
 BETRIEBSDRUCK..... MAX  $p_b$  10 bar  
 PRESSION D'UTILISATION.....  
 PRESSIONE DI ESERCIZIO.....

THERMAL RANGE OF APPLICATION.....  
 THERMISCHER ANWENDUNGSBEREICH..... - 40 °C BIS + 80 °C  
 GAMME D'APPLICATION THERMIQUE.....  
 CAMPO DI APPLICAZIONE TERMICA.....

MEDIUM..... AIR  
 MEDIUM..... LUFT  
 FLUIDO..... AIR  
 FLUIDO..... ARIA

INSTALLATION POSITION AS DRAWN  
 EINBAULAGE WIE GEZEICHNET  
 POSITION D'INSTALLATION SUIVANT DESSIN  
 POSIZIONE DI MONTAGGIO COM DISEGNATO

OUT OF PLANE  
 VERSETZT GEZEICHNET  
 AU DEHORS DU PLAN DE PROJECTION  
 AL DI FUORI DEL PIANO DI PROIEZIONE

EXHAUST  
 ENTLUEFTUNG  
 ECHAPPEMENT  
 SCARICO

General Specification: JED-334-B		Copyright WABCO®		<b>WABCO</b>	
Further Technical Data:		Date:	Signature:	Date of first issue: 79-08-23	
Doc. Code:	Sheet: To	07-11-14	Medynski	Doc. Code / Language / Sheet	
General Tolerances JED-261		07-11-14 Szuberski		16	
Range of Nominal Dimensions (± mm)		Expert		BRAKE CHAMBER	
		Szuberski		MEMBRANZYLINDER	
				VASE A DIAPHRAGME	
				BRAKE CHAMBER	
Class 1)	< 50	> 50 < 180	> 180 < 400	> 400	<
Fine	0.5	1.0	1.5	2.0	
Medium	1.0	2.0	3.0	4.0	±3*
Coarse	2.0	3.5	5.0	6.5	
Tapped Holes acc. JED-152		Mass	Scale	Reference No.	11 Tolerance Class Applied Crossmarked
A 1		3.0	1:1	423 054 001 0	005 ML 1/1
ECN-No. 110156		Revisio	Techn. Resp.	Replacement Part	
8xD		5430		100mm	