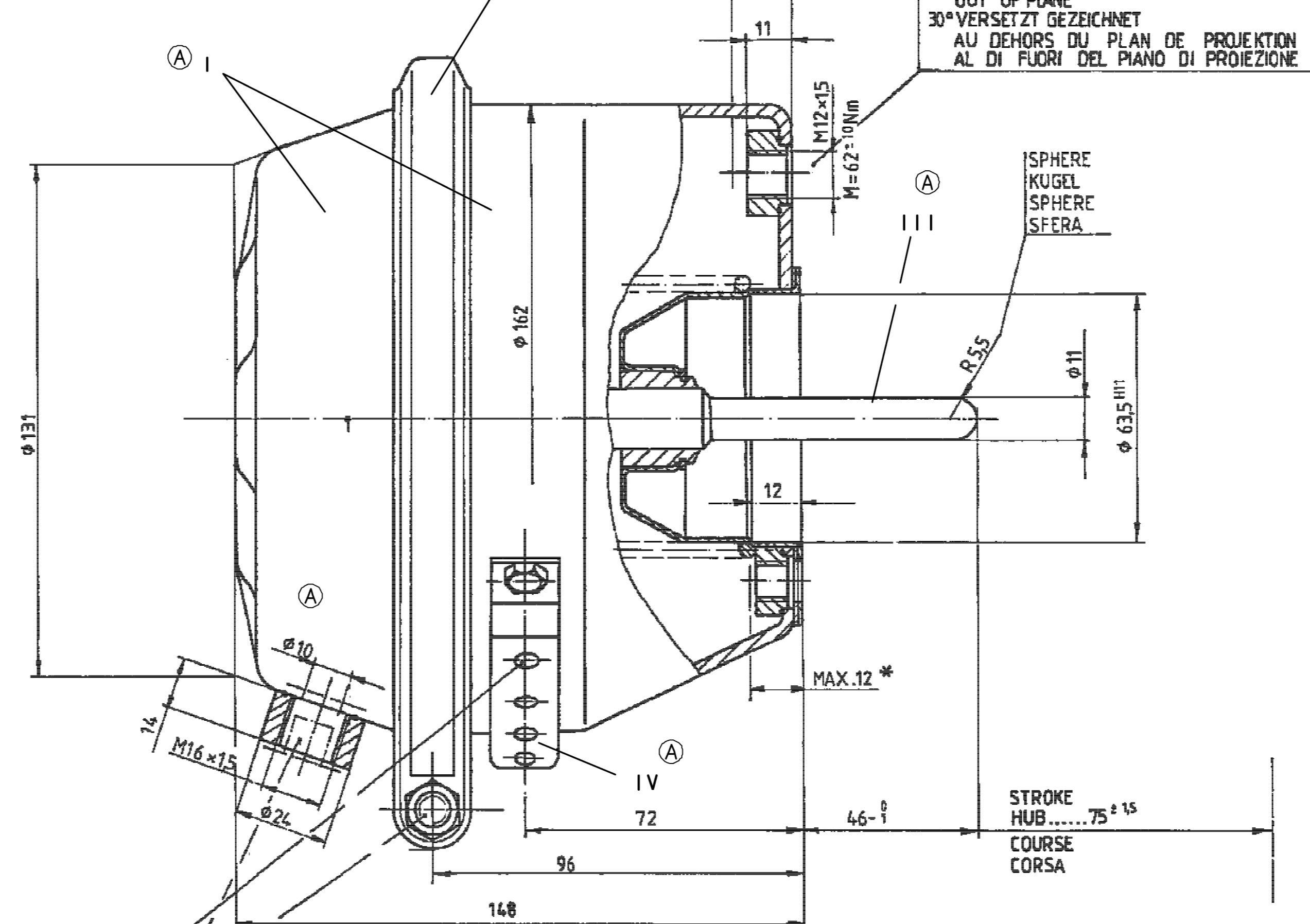
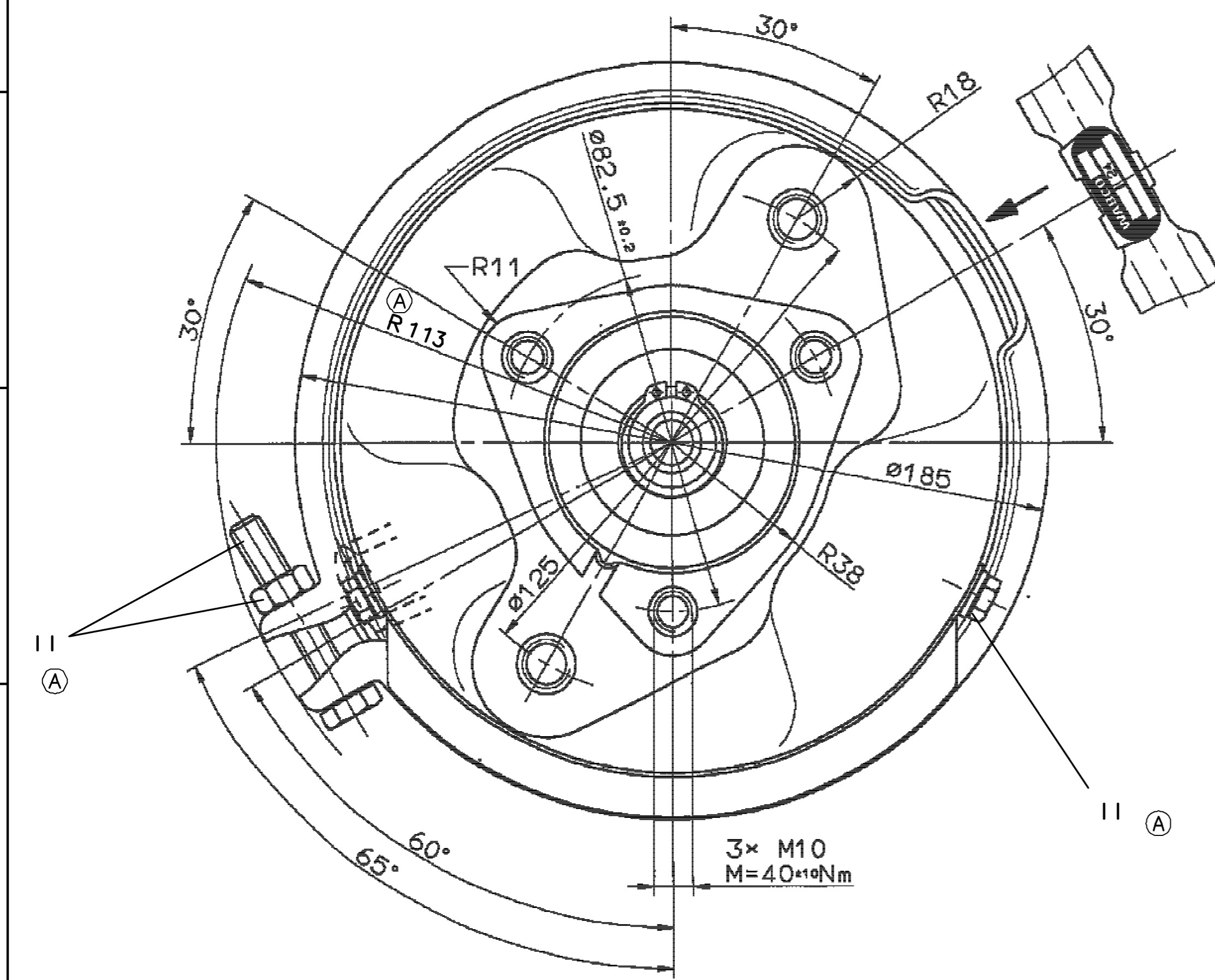


SURFACE PROTECT./OBERFL. SCHUTZ	
I	JED-240-3
II	JED-256-1
III	JED-257
IV	RUBBER / PLASTIC
V	JED-240-2

63,5 H11^{+0,190}₀



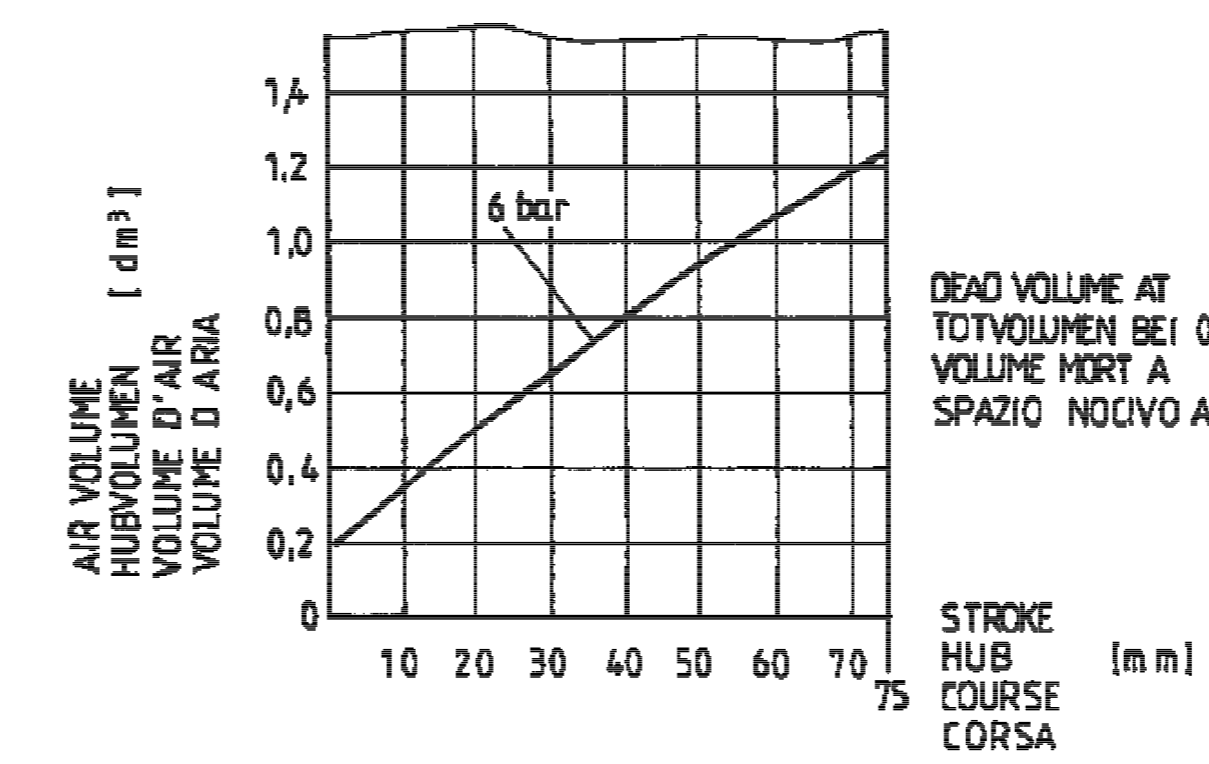
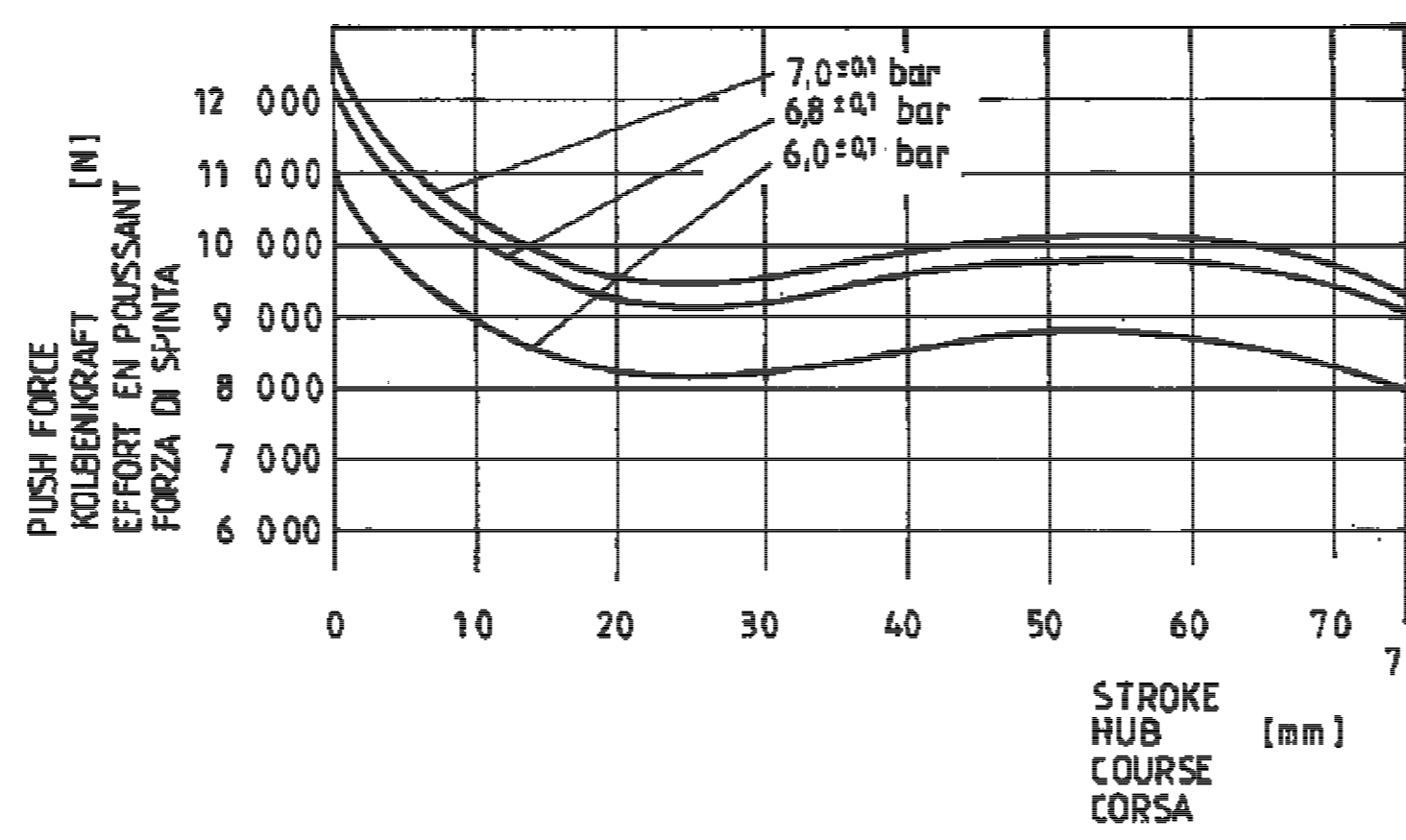
This document is the property of WABCO. It contains confidential information and is intended for the use of the recipient only. It is not to be distributed, copied, or reproduced in any form without the written consent of WABCO. The recipient is responsible for the safekeeping and return of this document. If you are not the intended recipient, you should not disseminate, distribute or copy this document. If you have received this document by mistake, please notify the sender immediately by e-mail.

WORKING PRESSURE
 BETRIEBSDRUCK MAX. P_g = 10 bar (TEMPORARILY KURZZEITIG 13 bar)
 PRESSION D'UTILISATION DE COURTE DUREE
 PRESSIONE DI ESERCIZIO BREVE TEMPO SOLO

THERMAL RANGE OF APPLICATION
 THERMISCHER ANWENDUNGSBEREICH -40°C BIS +80°C
 GAMME D'APPLICATION THERMIQUE
 CAMPO DI APPLICAZIONE TERMICA

MEDIUM AIR
 MEDIUM LUFT
 FLUIDE AIR
 FLUIDO ARIA

INSTALLATION POSITION AS DRAWN
 EINBAULAGE WIE GEZEICHNET
 POSITION D'INSTALLATION SUIVANT DESSIN
 POSIZIONE DI MONTAGGIO COME DISEGNATO



General Specification: JED-334-8		Copyright WABCO		WABCO	
Further Technical Data:		Date:	Drawn:	08-04-01 Medynski	
Doc. Code:	Sheet:	To:	Checked:	08-04-01 Szuberski	
General Tolerances JED-261		Range of Nominal Dimensions (± mm)		Szuberski	
Class	11	≤ 50	> 50 ≤ 180	> 180 ≤ 400	> 400
Fine		0.5	1.0	1.5	2.0
Medium		1.0	2.0	3.0	4.0
Coarse		2.0	3.5	5.0	6.5
Tapped Holes acc. JED-152		11 Tolerance Class Applied Crossmarked		A 1	
Mass: 3,57 kg		Scale: 1:1		Material No. 423 056 008 0	
Date of first issue: 94-07-01		Doc. Code: 115154		10xA	
Tech. Resp. 5430		Sheet 1/1		005 ML	