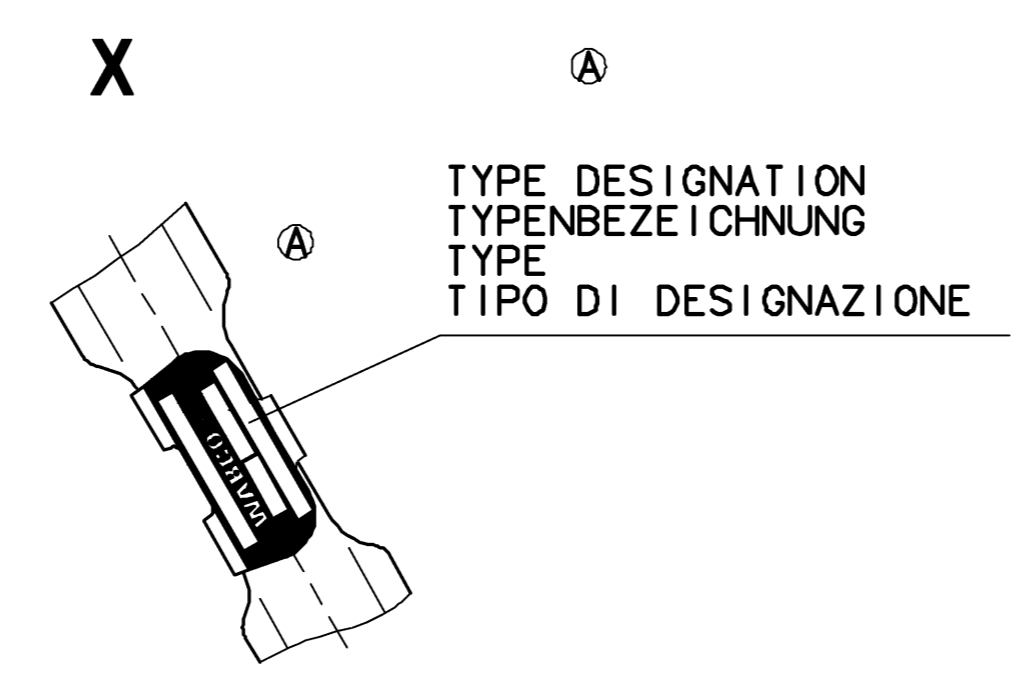
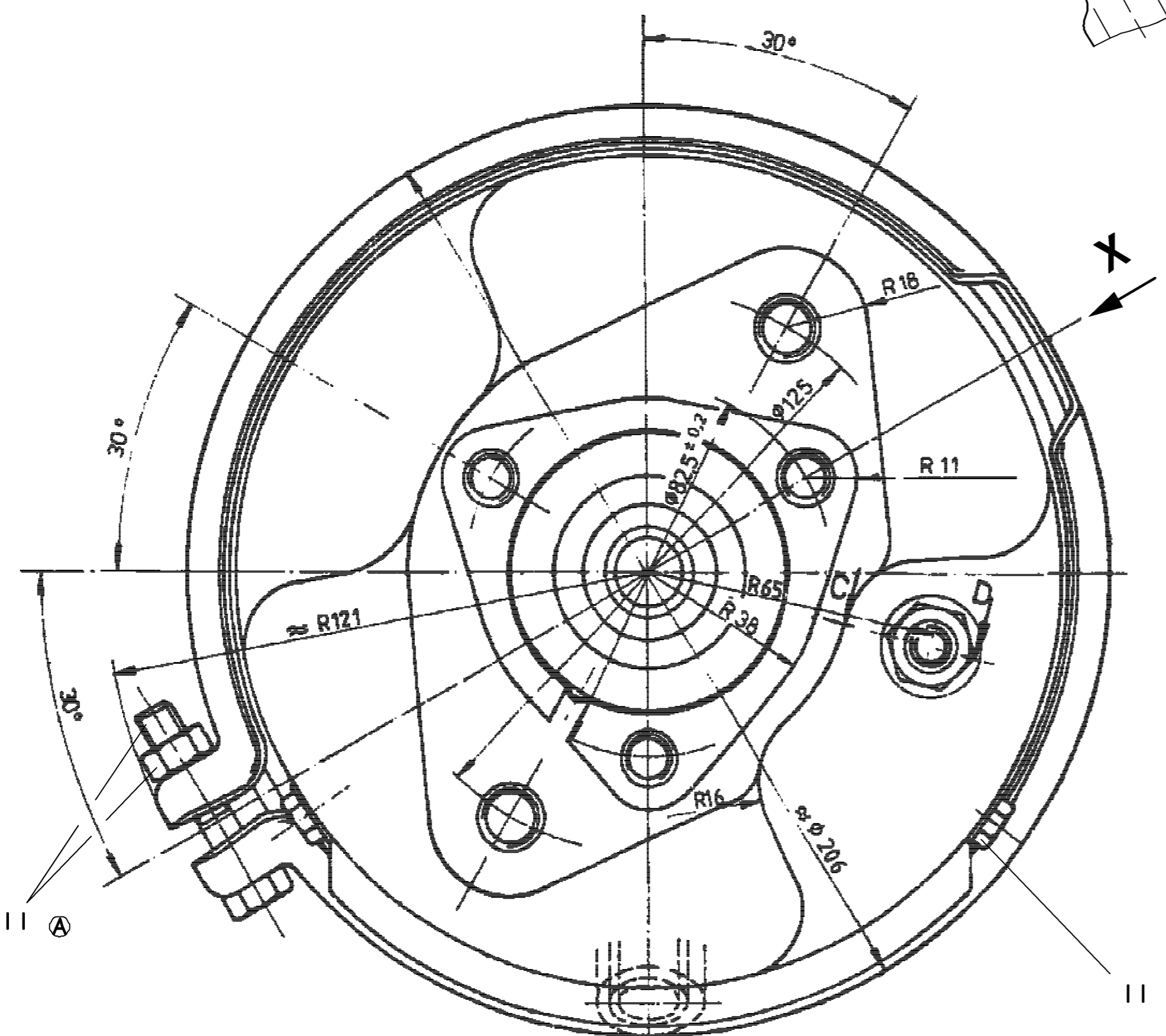


SURFACE PROTECT./OBERFL. SCHUTZ	
I	JED-240-3
II	JED-256-1
III	JED-257
IV	RUBBER / PLASTIC
V	JED-240-2

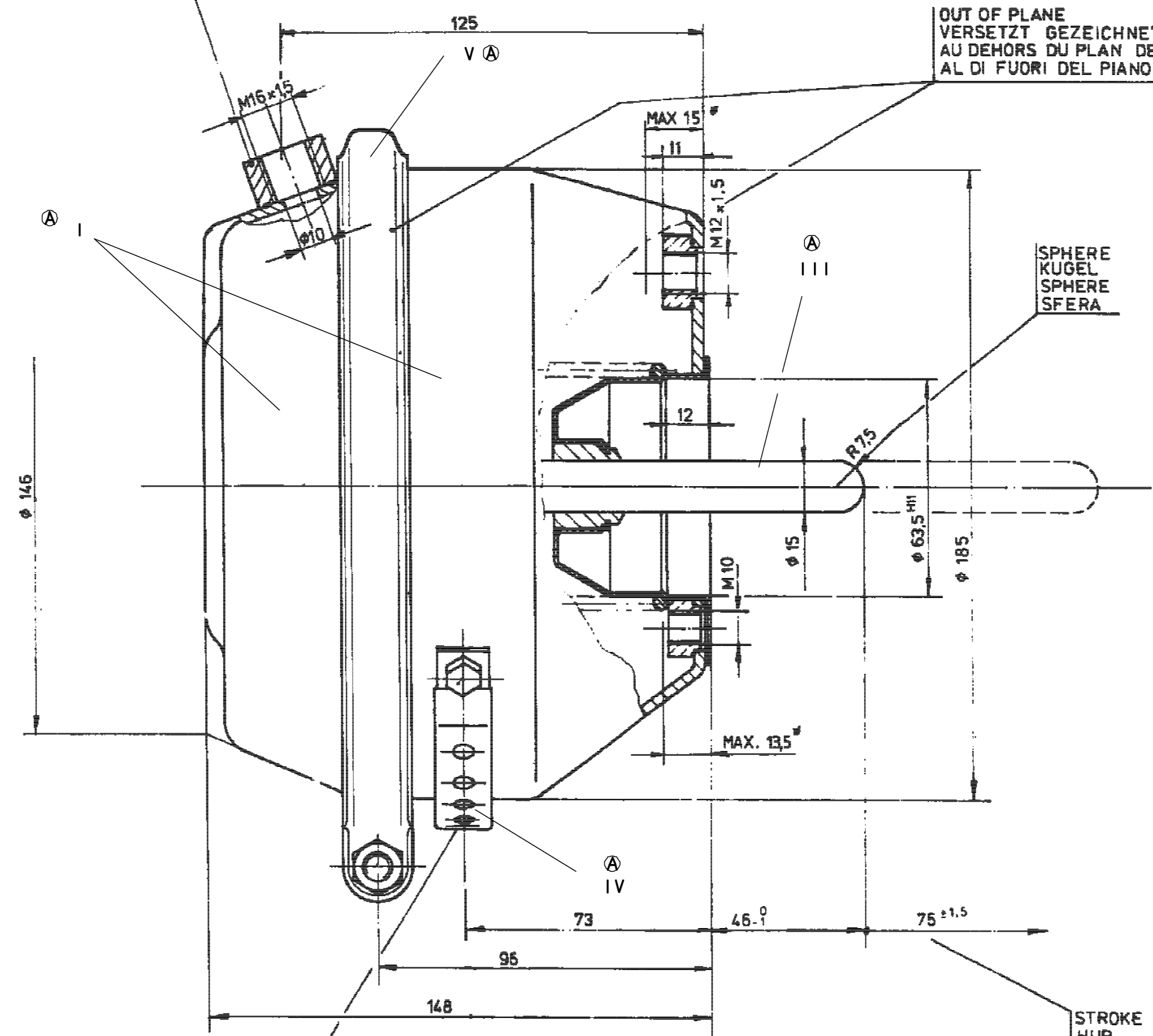


TYPE DESIGNATION  
 TYPENBEZEICHNUNG  
 TYPE  
 TIPO DI DESIGNAZIONE

OUT OF PLANE  
 VERSETZT GEZEICHNET  
 AU DEHORS DU PLAN DE PROJECTION  
 AL DI FUORI DEL PIANO DI PROIEZIONE

LENGTH OF ENGAGEMENT  
 EINSCHRAUBLÄNGE  
 LONGUEUR D'IMPLANTATION  
 LUNGHEZZA DI AVVITAMENTO

OUT OF PLANE  
 VERSETZT GEZEICHNET  
 AU DEHORS DU PLAN DE PROJECTION  
 AL DI FUORI DEL PIANO DI PROIEZIONE

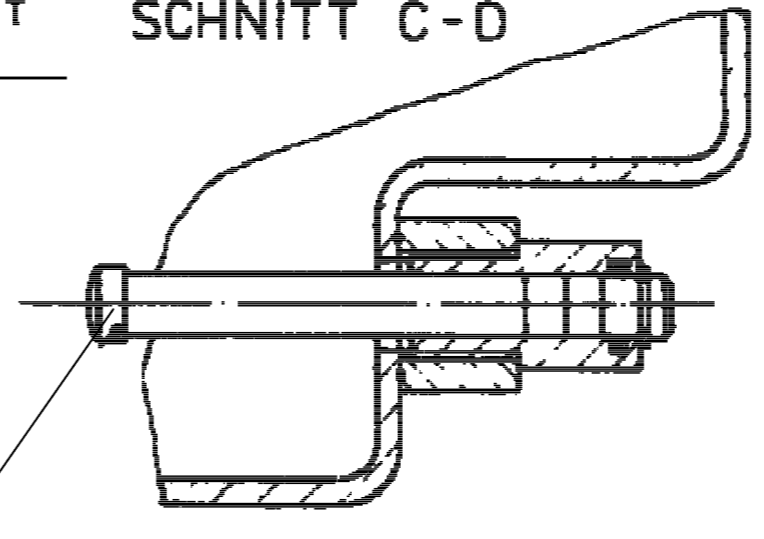


SPHERE  
 KUGEL  
 SPHERE  
 SFERA

STROKE  
 HUB  
 COURSE  
 CORSA

EXHAUST  
 ENTLEERTUNG  
 ECHAPPEMENT  
 SCARICO

SCNITT C-D



PUSH FORCE OF BRAKE CHAMBER: SEE TECHNICAL INFORMATION SHEET.  
 KRAFTABGÄBE DES MEMBRANZYLINDERS SIEHE KONSTRUKTIONSBLATT D 423 057 000 0  
 EFFORT DE POUSSEE DU VAS A DIAPHRAGME VOIR NOTICE TECHNIQUE  
 FORZA DI SPINTA DI BRAKE CHAMBER VEDERE FASCICOLO DESCRITTIVO

VOLUME - STROKE DIAGRAM SEE .....  
 HUBVOLUMENDIAGRAMM SIEHE ZEICHNUNG ..... D 423 057 001 0  
 DIAGRAMME VOLUME - COURSE VOIR .....  
 DIAGRAMMA VOLUME - CORSA VEDERE .....

WORKING PRESSURE  
 BETRIEBSDRUCK MAX. 10 bar  
 PRESSION D'UTILISATION  
 PRESSIONE DI ESERCIZIO

THERMAL RANGE OF APPLICATION  
 THERMISCHER ANWENDUNGSBEREICH -40°C BIS +80°C  
 GAMME D'APPLICATION THERMIQUE  
 CAMPO DI APPLICAZIONE TERMICA

MEDIUM  
 MEDIUM AIR  
 FLUIDE LUFT  
 FLUIDO AIR ARIA

INSTALLATION POSITION AS DRAWN  
 EINBAULAGE WIE GEZEICHNET  
 POSITION D'INSTALLATION SUIVANT DESSIN  
 POSIZIONE DI MONTAGGIO COM DISegnATO

MECHANICAL WEAR INDICATOR AFTER ≈ 37,5mm OF STROKE  
 MECH. VERSCHLEISSANZEIGE NACH ≈ 37,5mm HUB  
 INDICATEUR D'USURE MECANIQUE APRES ≈ 37,5mm DE COURSE  
 INDICATORE D'USURA MECANICO DOPO ≈ 37,5mm DI CORSA

General Specification: JED-334-0		Copyright WABCO		<b>WABCO</b>	
Further Technical Data:		Date:	Drawn:	08-05-12 Medynski	
Doc. Code:		Sheet:	To:	08-05-12 Szuberski	
General Tolerances JED-261		SzuBerski			
Range of Nominal Dimensions (± mm)		Expert			
Class 1)	≤ 50	> 50 &lt; 180	> 180 &lt; 400	> 400	±3°
Fine	0.5	1.0	1.5	2.0	
Medium	1.0	2.0	3.0	4.0	
Coarse	2.0	3.5	5.0	6.5	
Tapped Holes acc. JED-152		Size		CAD System	
1) Tolerance Class Applied Crossmarked		A 1		CCD	
ECN No.		Revision		Techn. Resp.	
115155		10xA		5430	
Doc. Code		Language		Sheet	
423 057 007 0		005 ML		1/1	
Date of first issue: 84-04-06		Replacement for			

This document is the property of WABCO. It is to be used for the design and production of the product only. It is not to be used for any other purpose. The user is responsible for the correct use of this document. The user is also responsible for the correct use of the product. The user is also responsible for the correct use of the product. The user is also responsible for the correct use of the product.